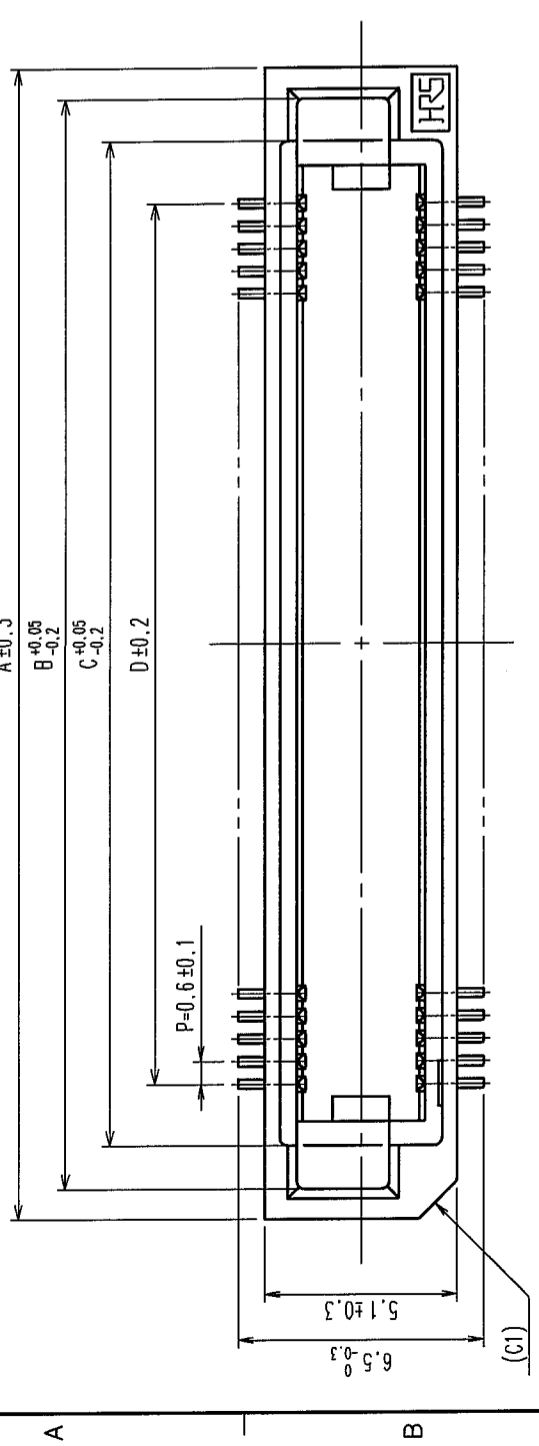
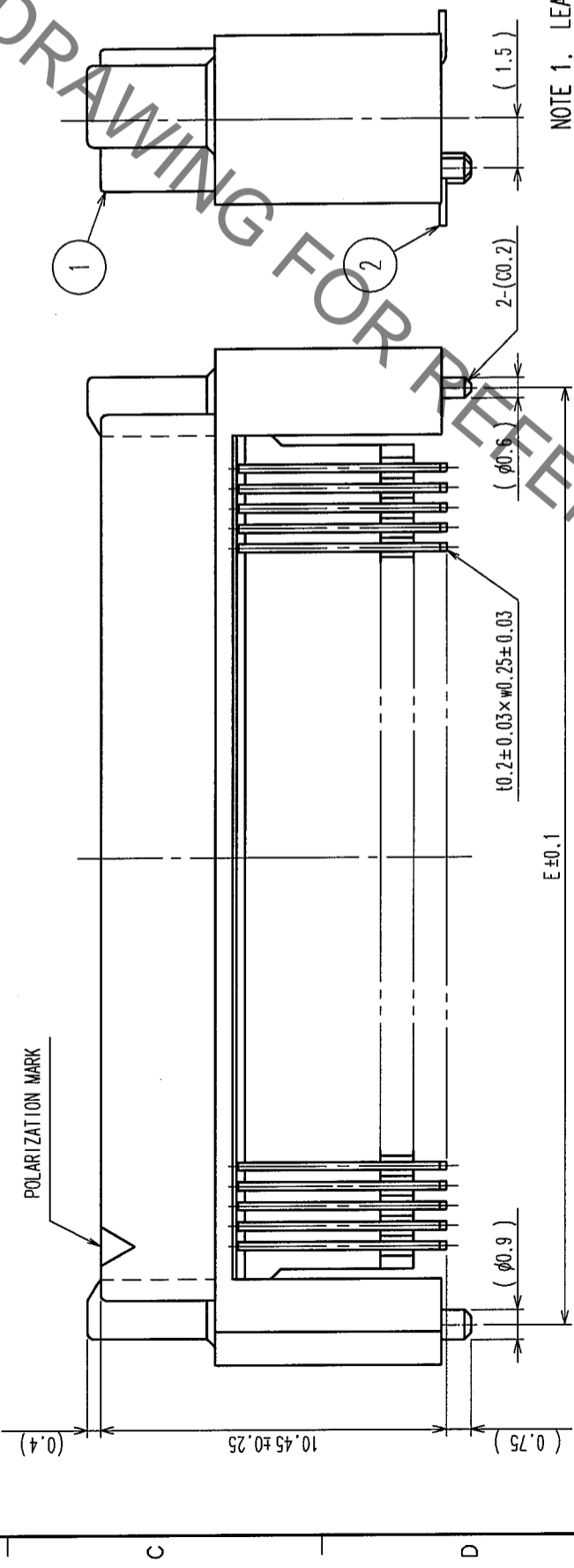
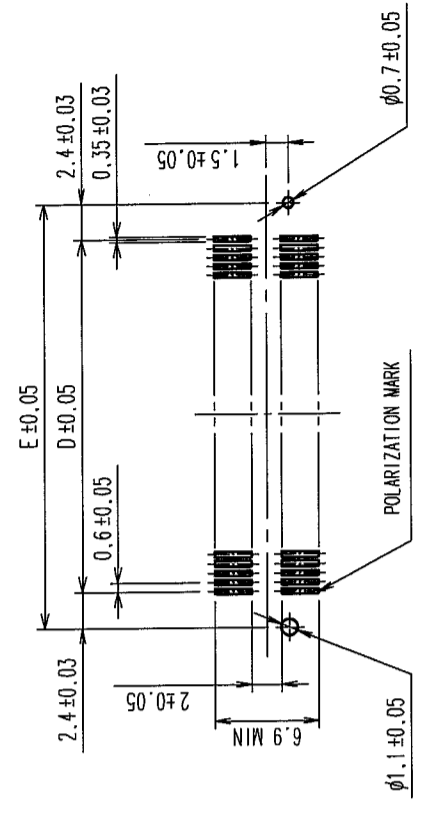


| COUNT | DESCRIPTION OF REVISIONS | BY | CHKD | DATE | COUNT | DESCRIPTION OF REVISIONS | BY | CHKD | DATE |
|-------|--------------------------|-----|------|----------|-------|--------------------------|----|------|------|
| 3 | RE-F-09671 | K.N | H.Y | 04.04.08 | | | | | |
| | | | | | | | | | |
| | | | | | | | | | |



RECOMMENDED LAND PATTERN DIMENSION OF P.C.B. (MOUNTING SIDE)

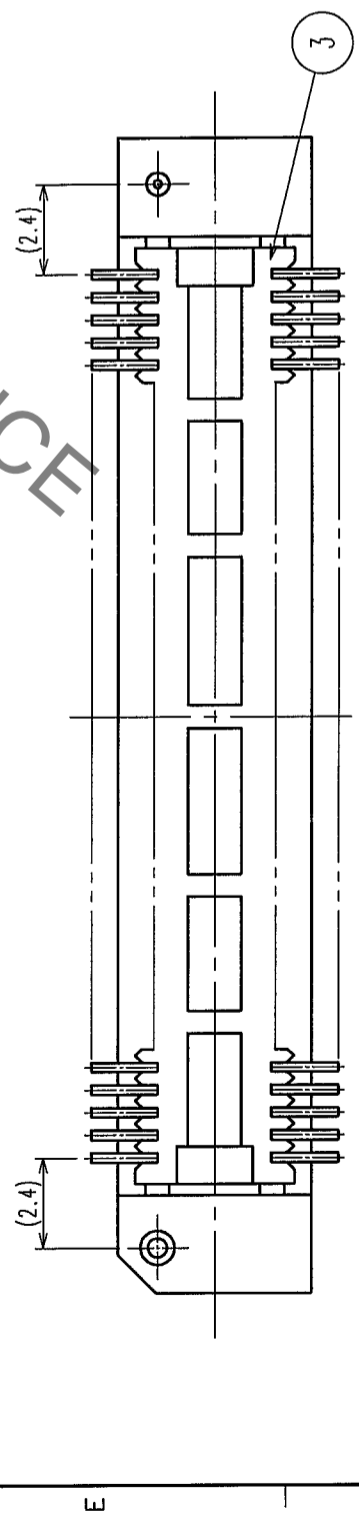


DIMENSION TABLE OF CONNECTOR AND P.C.B. LAND PATTERN.

| PART No. | CODE No. | 5 | 6 | A | B | C | D | E |
|-------------------|-----------------|-----|---|-------|-------|-------|-------|-------|
| FX8C-60P-SV6(92) | CL578-0601-3-92 | 60 | X | 24.60 | 23.00 | 20.70 | 17.40 | 22.20 |
| FX8C-80P-SV6(92) | CL578-0603-9-92 | 80 | X | 30.60 | 29.00 | 26.70 | 23.40 | 28.20 |
| FX8C-100P-SV6(92) | CL578-0605-4-92 | 100 | - | 36.60 | 35.00 | 32.70 | 29.40 | 34.20 |
| FX8C-120P-SV6(92) | CL578-0606-7-92 | 120 | X | 42.60 | 41.00 | 38.70 | 35.40 | 40.20 |
| FX8C-140P-SV6(92) | CL578-0607-0-92 | 140 | - | 48.60 | 47.00 | 44.70 | 41.40 | 46.20 |

- NOTE 1. LEAD CO-PLANARITY SHALL BE 0.1mm MAX.
 2. EMBOSSED CARRIER TAPE PACKAGING SHALL BE APPLIED FOR THIS PRODUCT.
 SEE NEXT PAGE FOR DETAILS.
 3. FOR MODIFICATION, ETC., PREVENTIVE HOLE FOR SINK MARK MAY BE ADDED ACCORDING TO CIRCUMSTANCES.
 4. THE DIMENSIONS IN PARENTHESES ARE FOR REFERENCE.

5 NUMBER OF CONTACTS.
 6 EXISTENCE
 X: PRODUCED, -: NO PRODUCED

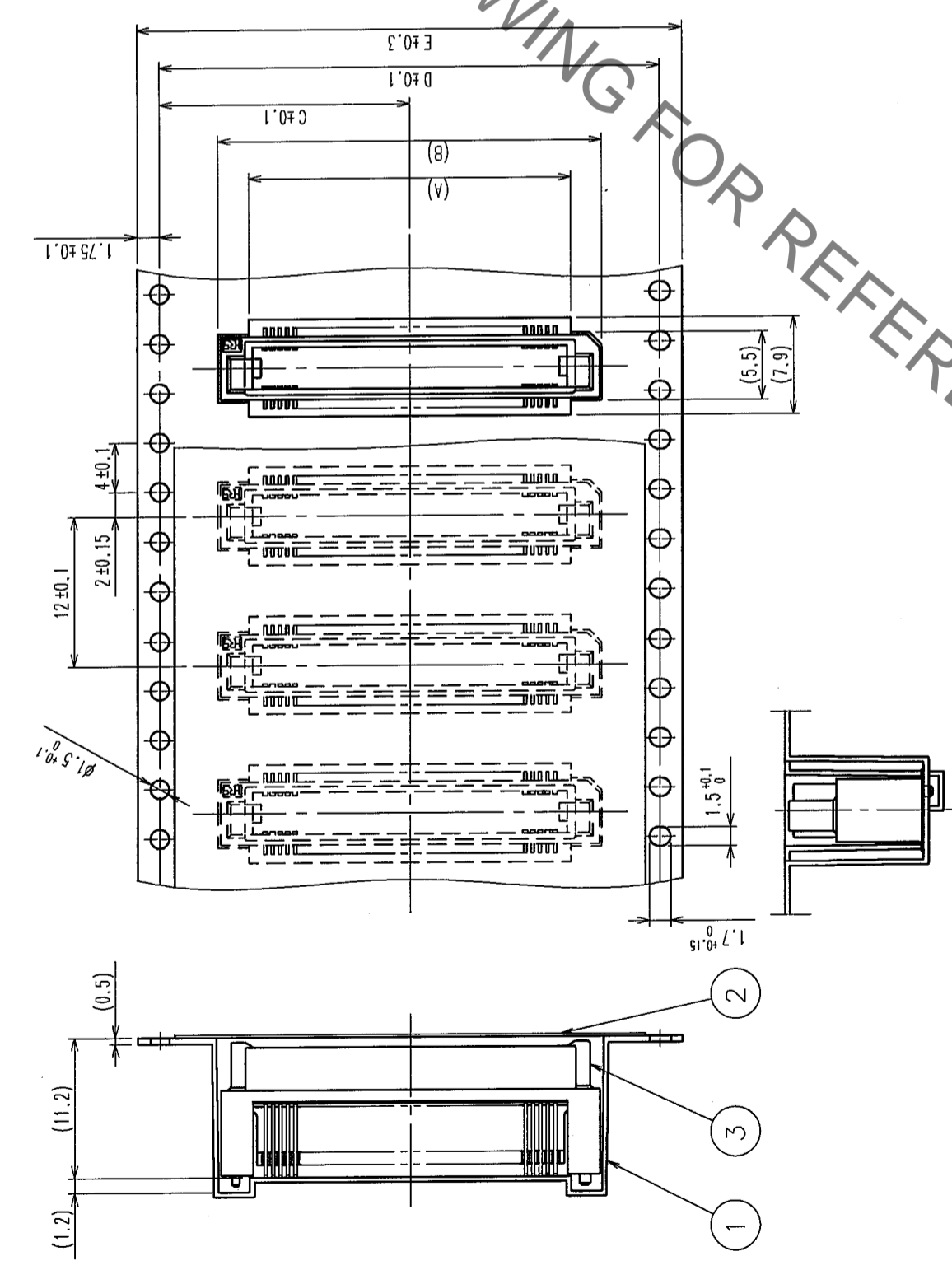


| NO. | MATERIAL | FINISH, REMARKS | NO. | MATERIAL | DESIGNED | CHECKED | APPROVED | RELEASED |
|------------------------------|----------|--------------------------------|--------------------------|-------------------------------|-------------|-----------------|--------------|--------------|
| 1, 3 | PPS | LIGHT BROWN (UL94V-0) | 2 | PHOSPHOR BRONZE | K. NAKAMURA | H. OKAWA | Y. YOSHIMURA | |
| CONTACT AREA: GOLD 0.1μm min | | LEAD AREA: TIN-PLATING 1μm min | | UNDER PLATING: NICKEL 1μm min | | FINISH, REMARKS | | |
| CODE NO. (OLD) | | FINISH, REMARKS | | DRAWN | | DESIGNED | | RELEASED |
| CL | | | | S. SUZUKI | | K. NAKAMURA | | Y. YOSHIMURA |
| | | | | 03.02.04 | | 03.02.14 | | 03.02.15 |
| DRAWING NO. | | | PART NO. | | | F | | |
| EDC3-151090-22 | | | FX8C-**-P-SV6(92) | | | | | |
| SCALE | | | CODE NO. | | | 1/2 | | |
| FREE | | | HIROSE ELECTRIC CO., LTD | | | CL578 | | |
| UNITS | | | ITEM | | | 8 | | |

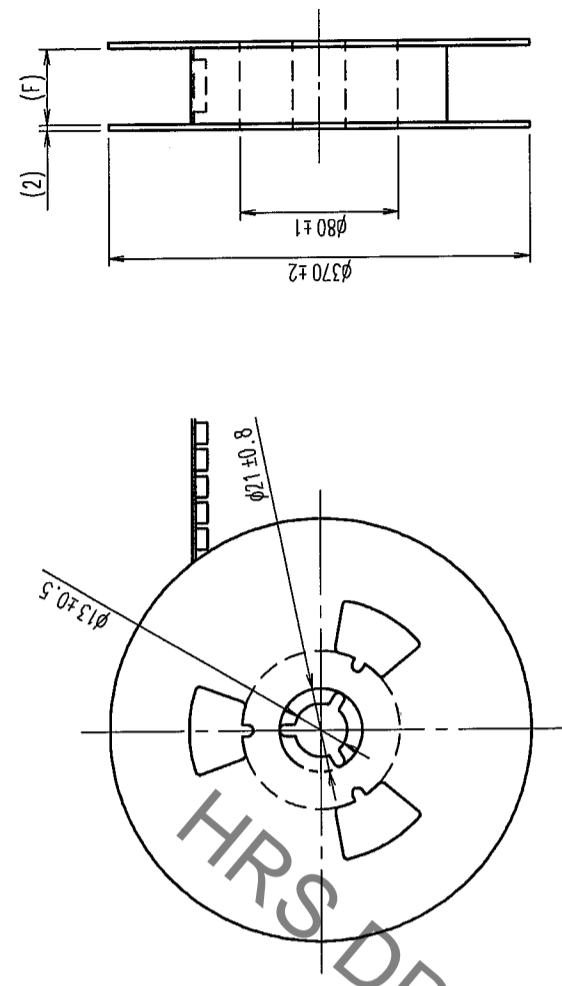
| | |
|-----|--|
| TO | |
| PCK | |

| COUNT | DESCRIPTION OF REVISIONS | BY | CHKD | DATE | COUNT | DESCRIPTION OF REVISIONS | BY | CHKD | DATE |
|-------|--------------------------|----|------|------|-------|--------------------------|----|------|------|
| △ | | | | | △ | | | | |
| △ | | | | | △ | | | | |
| △ | | | | | △ | | | | |

UNREELING DIRECTION
↑



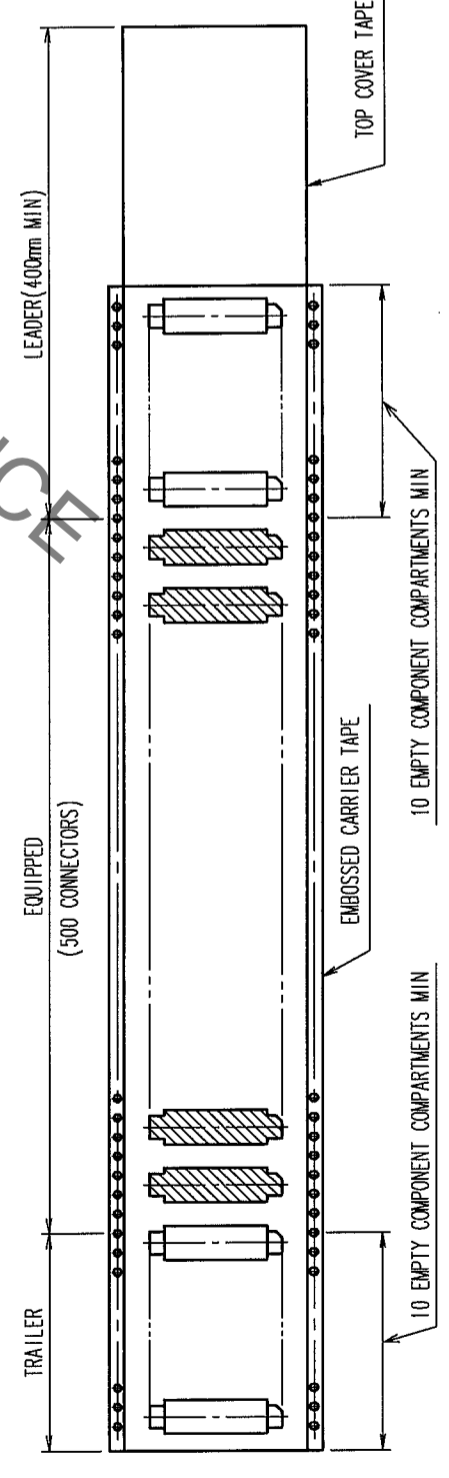
REEL DIMENSION



△ DIMENSION TABLE OF EMBOSSED CARRIER TAPE AND REEL.

| PART No. | CODE No. | 2 | 3 | A | B | C | D | E | F |
|-------------------|-----------------|-----|---|----|----|------|------|----|------|
| FX8C-60P-SV6(92) | CL578-0601-3-92 | 60 | X | 20 | 25 | 20.2 | 40.4 | 44 | 44.4 |
| FX8C-80P-SV6(92) | CL578-0603-9-92 | 80 | X | 26 | 31 | 20.2 | 40.4 | 44 | 44.4 |
| FX8C-100P-SV6(92) | CL578-0605-4-92 | 100 | - | 32 | 37 | 26.2 | 52.4 | 56 | 56.4 |
| FX8C-120P-SV6(92) | CL578-0606-7-92 | 120 | X | 38 | 43 | 26.2 | 52.4 | 56 | 56.4 |
| FX8C-140P-SV6(92) | CL578-0607-0-92 | 140 | - | 44 | 49 | 34.2 | 68.4 | 72 | 72.4 |

NOTE 1 1 REEL : 500 CONNECTORS
 2 NUMBER OF CONTACTS
 3 EXISTENCE
 X : PRODUCED, - : NO PRODUCED



| NO. | MATERIAL | FINISH, REMARKS | NO. | MATERIAL | FINISH, REMARKS |
|-----|-----------|-------------------------|-----|-------------|-----------------|
| 2 | POLYESTER | (TOP COVER TAPE) | 3 | (CONNECTOR) | |
| 1 | PS | (EMBOSSED CARRIER TAPE) | 3 | (CONNECTOR) | |

| CODE NO. (OLD) | CL | DRAWN | DESIGNED | CHECKED | APPROVED | RELEASED |
|----------------|----|-----------|-------------|----------|---------------|----------|
| | | S. SUZUKI | K. NAKAMURA | H. OKAWA | Y. YOSHIIMURA | |
| | | 03.02.04 | 03.02.14 | 03.02.14 | 03.02.15 | |

| DRAWING NO. | PART NO. |
|----------------|------------------|
| EDC3-151090-22 | FX8C-**P-SV6(92) |

| SCALE | UNITS | CODE NO. |
|-------|-------|----------|
| FREE | mm | CL578 |

TO
PCK