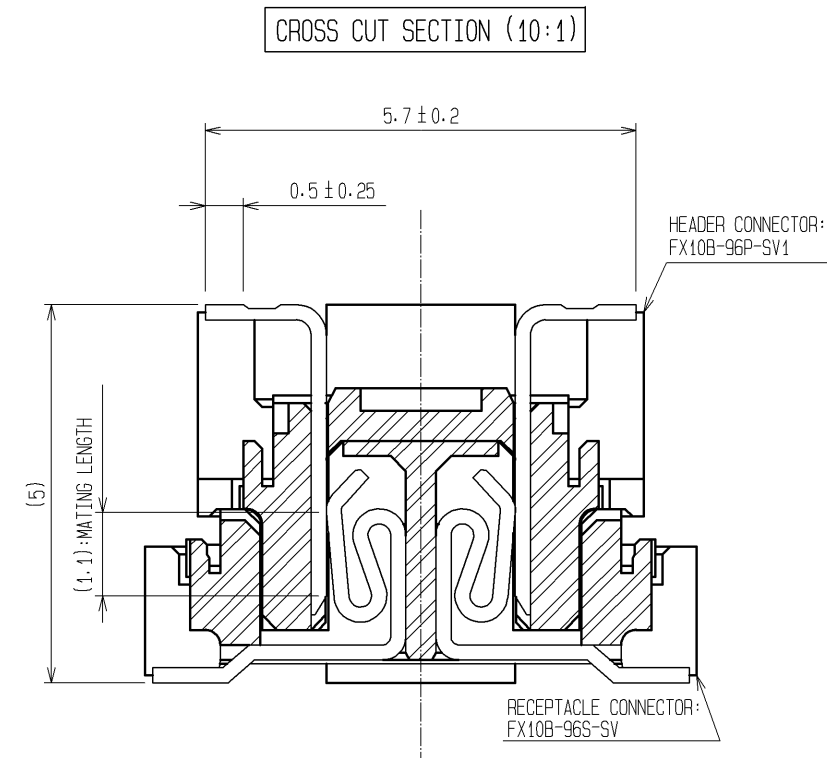
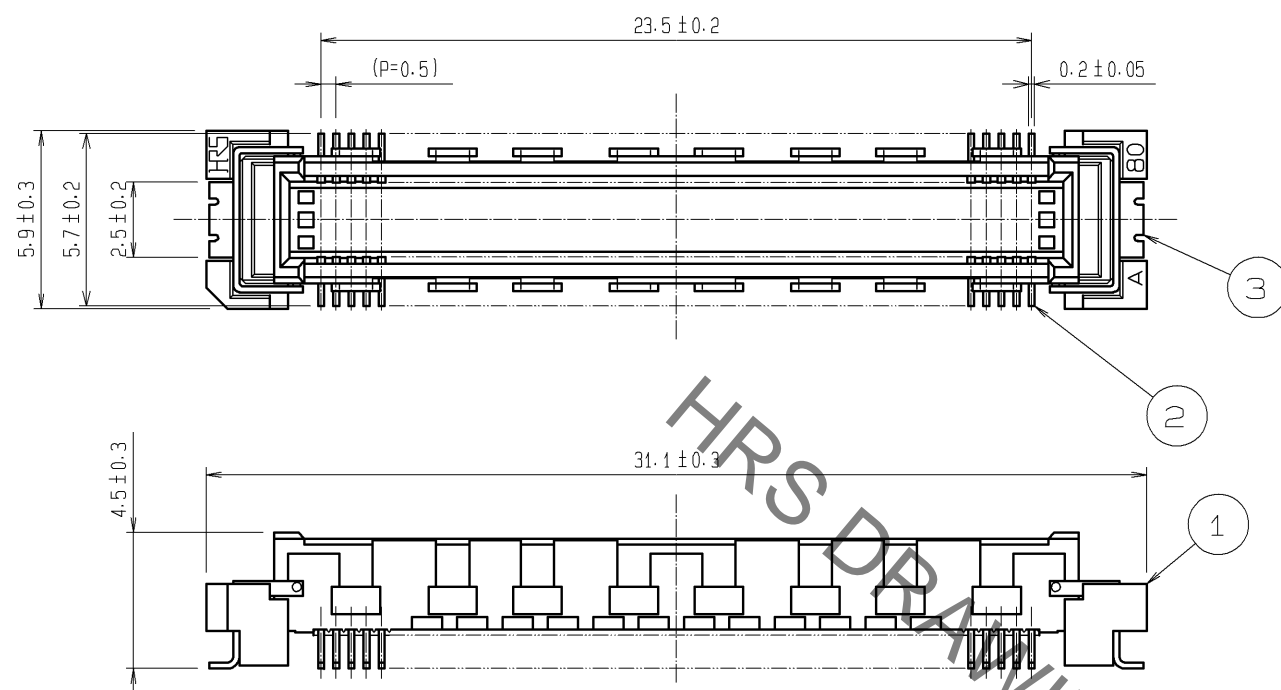
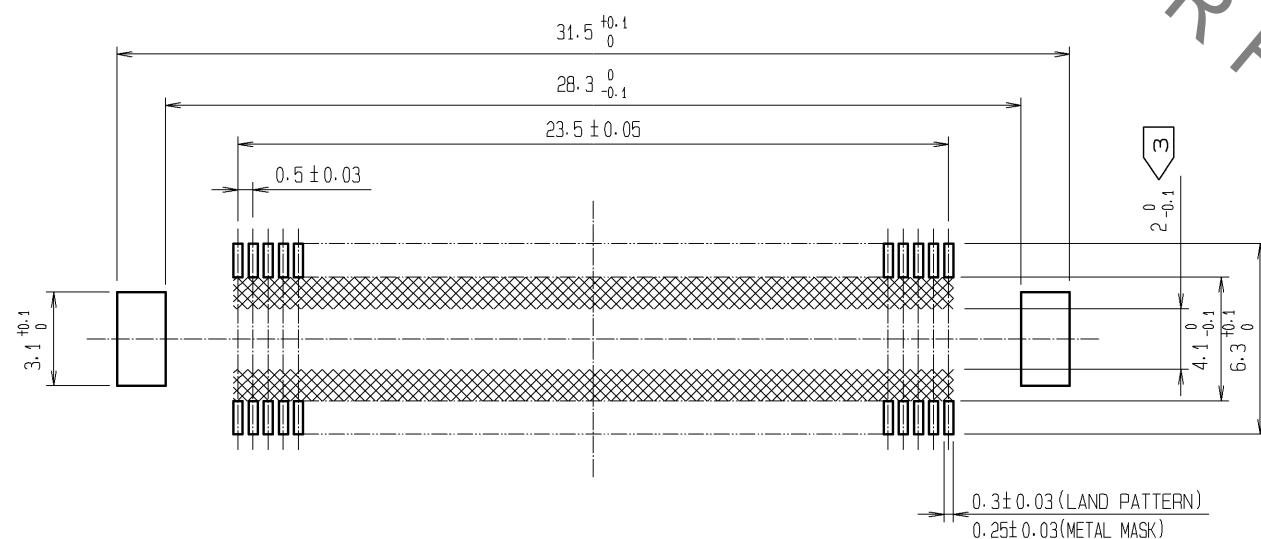


May.1.2023 Copyright 2023 HIROSE ELECTRIC CO., LTD. All Rights Reserved.  
 In case of consideration for using Automotive equipment / device which demand high reliability, kindly contact our sales window correspondents.



RECOMMENDED LAND PATTERN DIMENSION OF PCB  
 (RECOMMENDED METAL MASK THICKNESS: 0.15mm)



HRS DRAWING FOR REFERENCE

- NOTES
- 1 SMT LEAD-COPLANARITY: 0.1 MAX.
  - 2 THIS PRODUCT HAS NO POLARITY TO PATTERN FOR MOUNTING.
  - ③ MAKE SURE WIDTH OF PATTERN IS WITHIN THAT OF LAND, OR LEAD MAY TOUCH PATTERN. (THIS APPLIES TO HATCHED AREA.)
  - 4 THE DIMENSIONS IN PARENTHESES ARE FOR REFERENCE.

1	LCP	BEIGE UL94V-0	3	PHOSPHOR BRONZE	TIN-PLATING	
NO.	MATERIAL	FINISH . REMARKS	NO.	MATERIAL	FINISH . REMARKS	
			2	PHOSPHOR BRONZE	CONTACT AREA: GOLD 0.1µm min. LEAD AREA: TIN-PLATING 1µm min. UNDER PLATING: NICKEL 1µm min.	
UNITS mm		SCALE 4 : 1	COUNT 	DESIGNED	CHECKED	DATE
APPROVED : HS. OKAWA		09.04.14		DRAWING NO.		EDC3-151972-25
CHECKED : HT. YAMAGUCHI		09.04.14		PART NO.		FX10B-96P-SV1(71)
DESIGNED : SY. KAMIGA		09.04.14		CODE NO.		CL570-0151-8-71
DRAWN : HK. SUNADORI		09.04.13				1/1