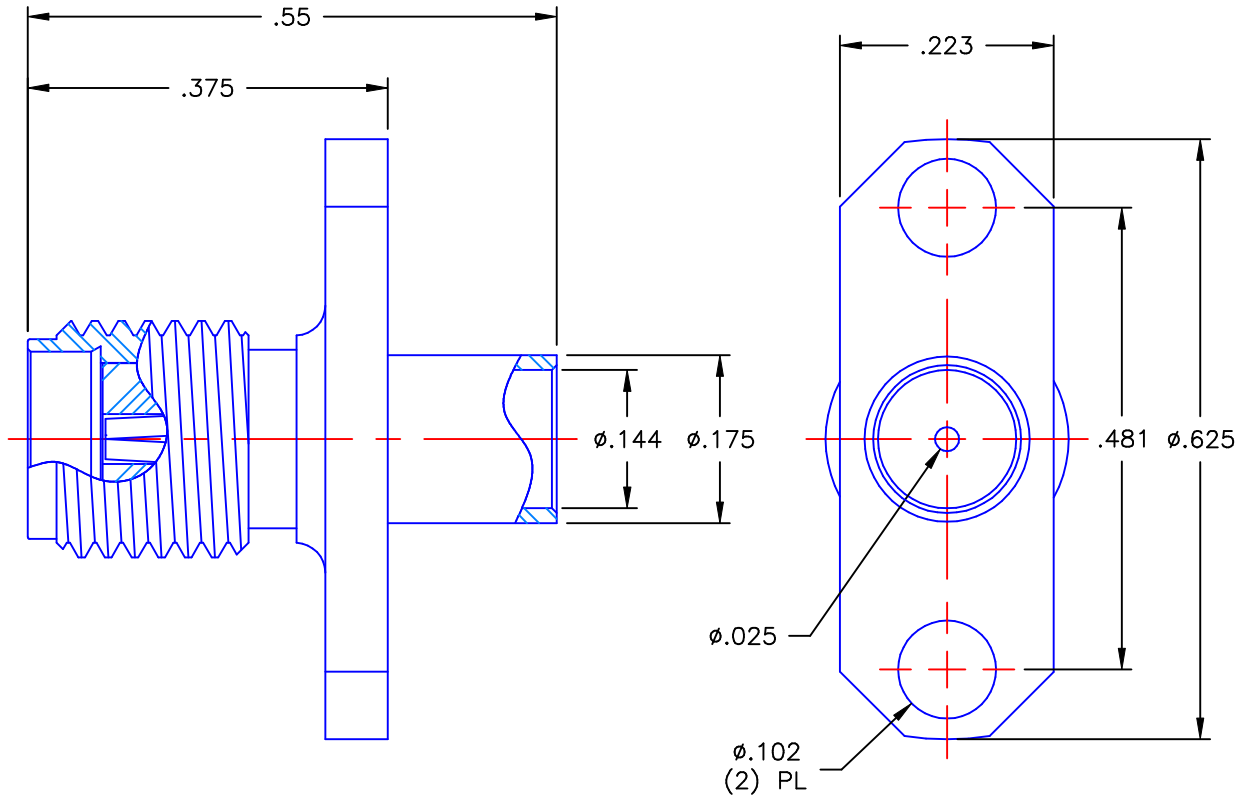


REVISIONS			
REV	DESCRIPTION	DATE	APPROVED
A	INITIAL RELEASE	08/17/10	A.D.M.




NOTES:

MATERIALS:

1. BODY = STAINLESS STEEL PER ASTM A582, ALLOY 303, CONDITION "A".
2. INSULATOR = VIRGIN WHITE TEFLON PER ASTM D1710, GRADE 1, TYPE I, CLASS "B".
3. CONTACT = BERYLLIUM COPPER PER ASTM B196, ALLOY C17300, TEMPER TD04.

FINISHES:

1. BODY = GOLD PLATE PER MIL-G-45204, TYPE II, CLASS 0, GRADE C, OVER .000050 TO .00010 STRESS FREE NICKEL PER QQ-N-290.
2. CONTACT = GOLD PLATE PER MIL-G-45204, TYPE II, CLASS 1, GRADE C, OVER .00010 TO .00020 STRESS FREE SULFAMATE NICKEL PER QQ-N-290.

UNLESS OTHERWISE SPECIFIED DIMENSIONS ARE IN INCHES TOLERANCES ON	DWN:	DATE	Property of Radiall			
	A.D.M.	08/17/10	 This document cannot be reproduced or communicated to a third party without prior written permission of RADIALL.	SMA STRAIGHT PANEL JACK 2 HOLE FLANGE MOUNT DIRECT SOLDER ATTACHMENT FOR .141 S\R & SIMILAR CABLES		
	CHKD:	DATE				
D.N.	08/17/10					
DECIMAL	ANGLE	APVD:	DATE	SIZE A FSCM NO. 19505 DWG NO. 9441-1083-009 REV A		
		J.M.	08/17/10			
REFERENCE:	MATERIALS & FINISHES:		SCALE 5:1	THIRD ANGLE PROJECTION	SHEET 1 OF 1	
ORIGINATOR: A.D.M. DATE: 08/17/10	SEE NOTES					

9441-1083-009