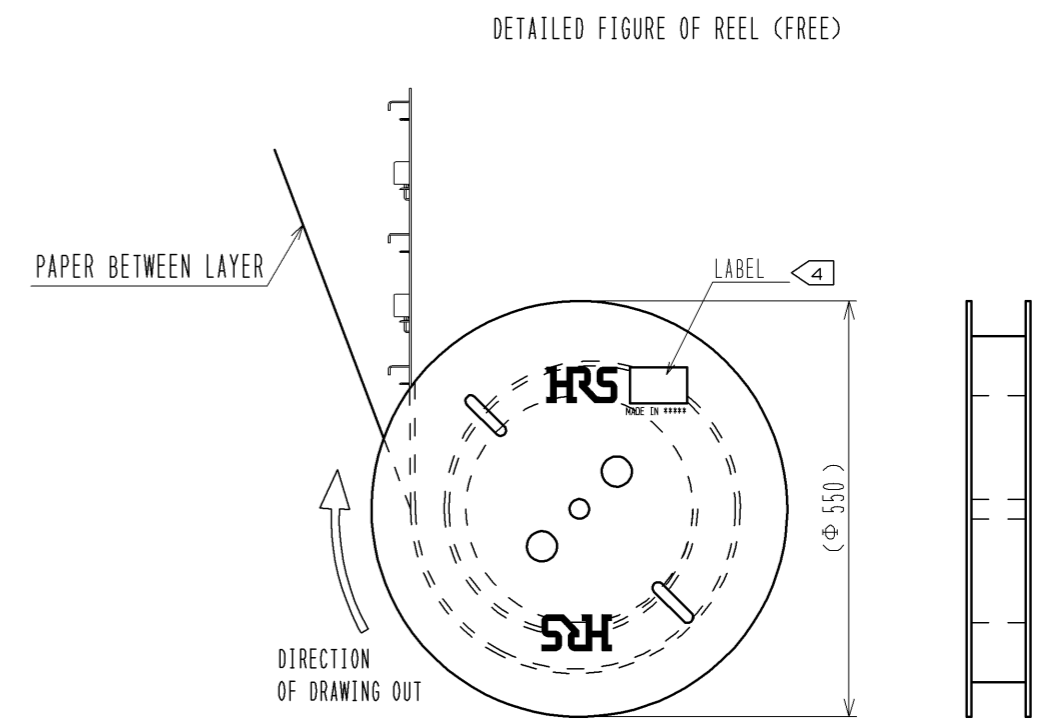
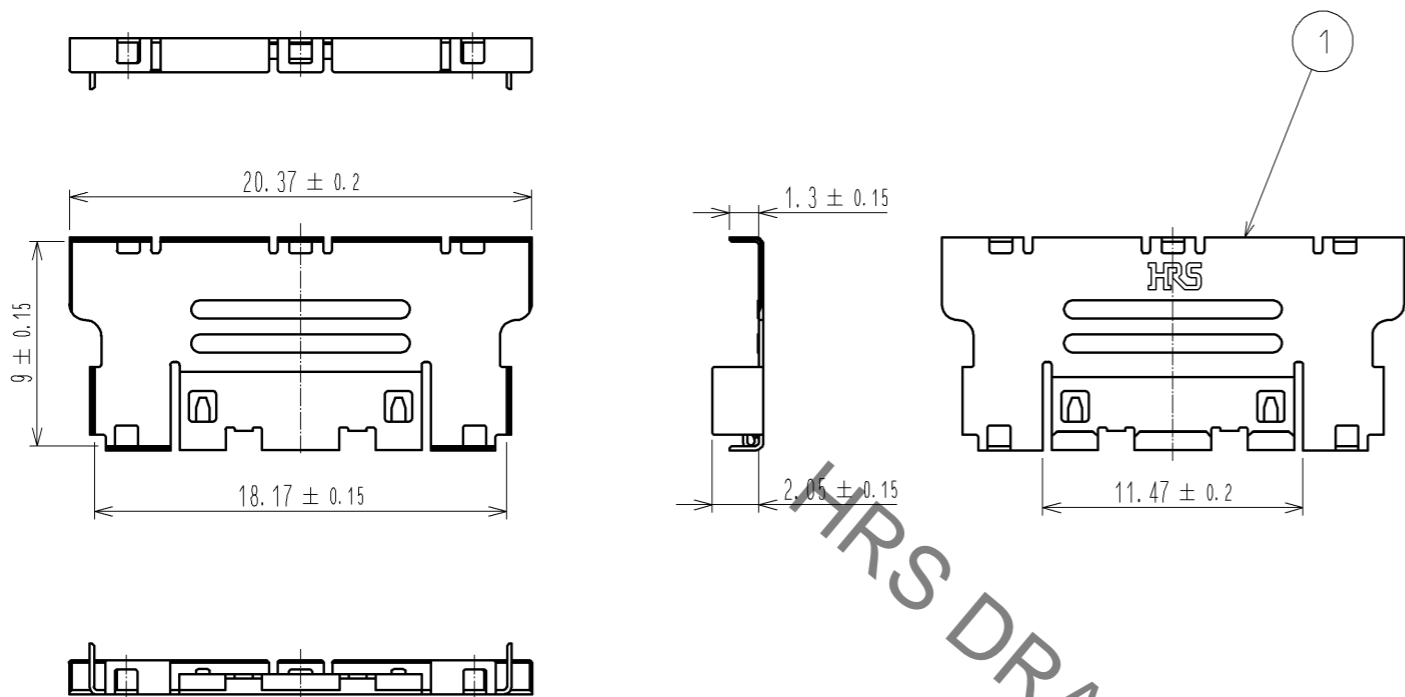
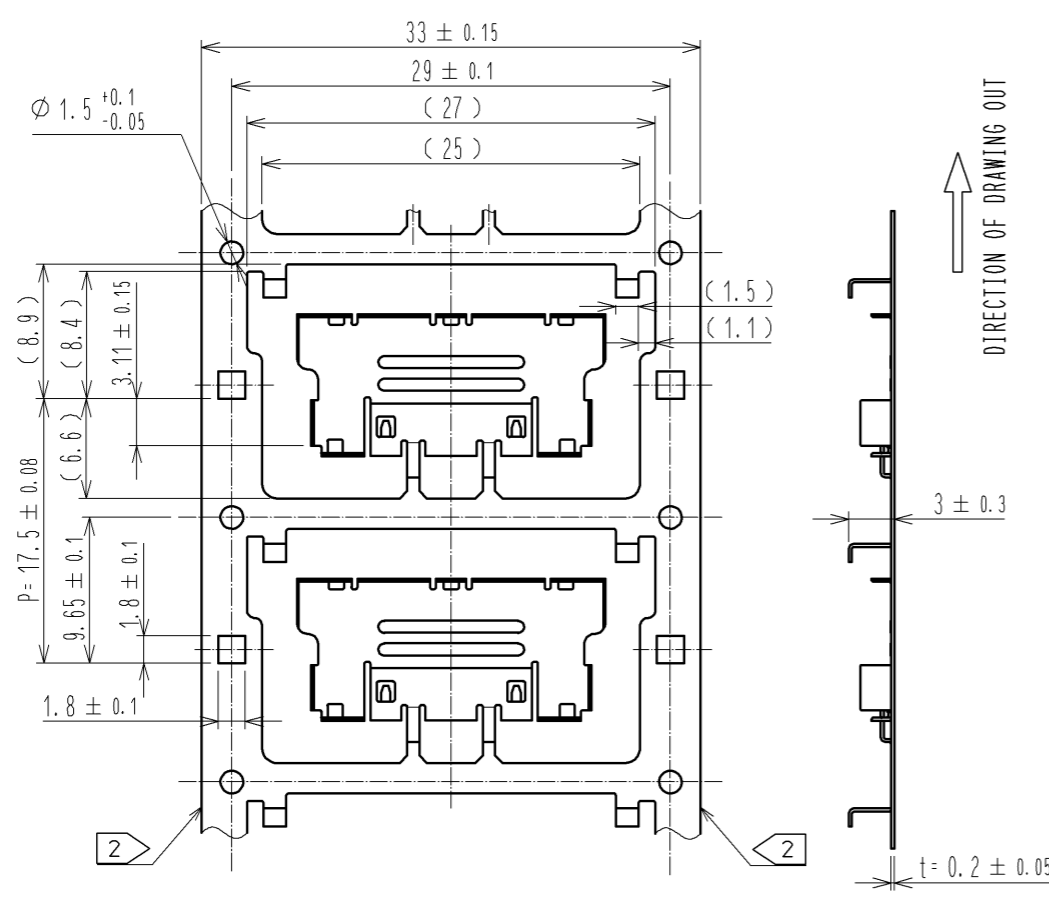


May.1.2023 Copyright 2023 HIROSE ELECTRIC CO., LTD. All Rights Reserved.  
In case of consideration for using Automotive equipment / device which demand high reliability, kindly contact our sales window correspondents.



DETAILED FIGURE OF CAREER (2 : 1)



- NOTE 1. MANUFACTURING PROCESS COULD LEAVE SCRATCH AND/OR PUNCH MARKS HAVING NO AFFECT ON THE PRODUCT PERFORMANCE.  
 2. SIDE CUT CAN BE PROVIDED TO PREVENT CARRIER CURVE.  
 3. 2000 PIECES PER REEL.  
 4. LABEL AS SHOWN BELOW IS INDICATED.

<b>HRS</b>		INSPECTION 検査
CODE No. 品名コード	CL575-3331-8	
PART NO. 品名	FX16-21P-GNDL	
QTY 数量	2,000 PCS	
PECULIAR 仕様		
Lot No		
SPLICE 継ぎ目		

5. DIMENSION IN ( ) ARE FOR REFERENCE.  
 6. THIS IS A COMPONENT FOR SEPARATELY AVAILABLE PRODUCT:FX16-21P-0.5FCL OR FX16-21P-0.5SDL.

NO.	MATERIAL	FINISH . REMARKS	1	STAINLESS	
UNITS mm		SCALE FREE	COUNT △	DESIGNED	CHECKED
<b>HRS</b> HIROSE ELECTRIC CO., LTD.		APPROVED : HS. OKAWA	08.05.29	DRAWING NO. EDC3-158279-00	
		CHECED : HT. YAMAGUCHI	08.05.28	PART NO. FX16-21P-GNDL	
		DESIGNED : TS. SHIBUYA	08.05.27	CODE NO. CL575-3331-8-00	
		DRAWN : TS. SHIBUYA	08.05.27		