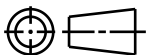
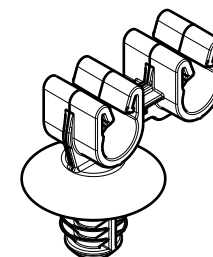
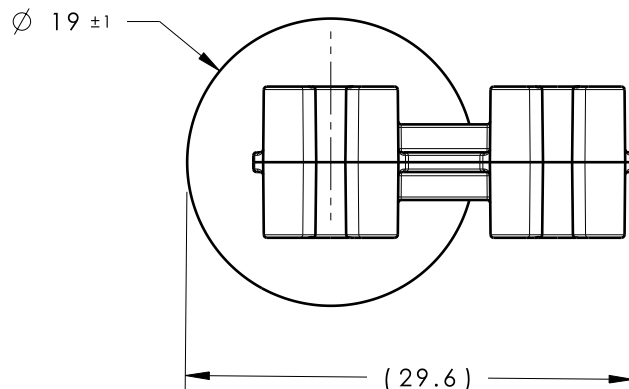


CATIA V5



Revision Level			Revision Record	Changed	Date	Approved	Date
Drawing	State	Part					
02.1	Design Release		SEE ECN# 013962	TAT	7/26/17	EJH	7/26/17



ISOMETRIC VIEW
SCALE 1:1

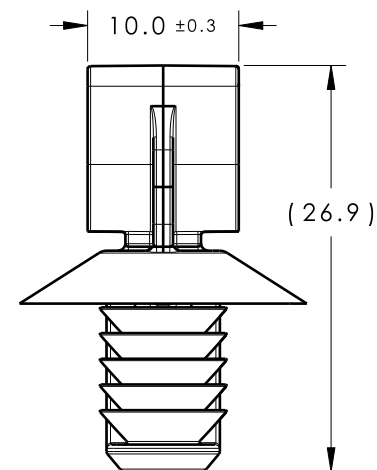
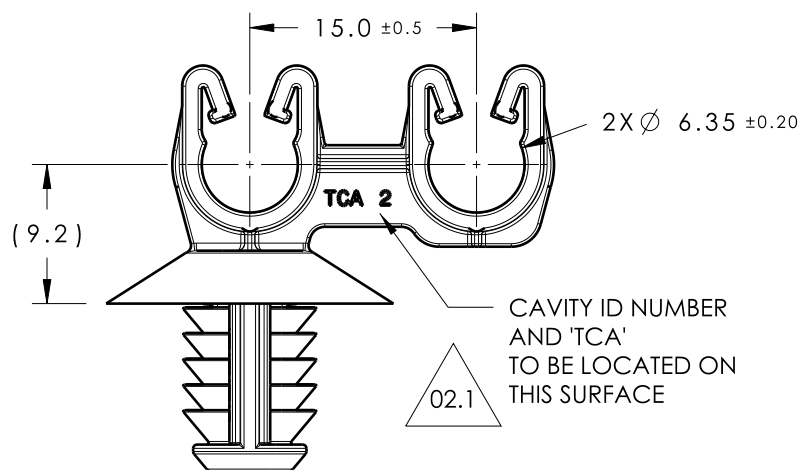
REFERENCE:

PERFORMANCE REQUIREMENTS AT DRY AS MOLDED:

1. FIR TREE PUSH IN FORCE: 45 NEWTONS (10 LBS) MAX IN THE APPLICABLE NOMINAL HOLE SIZE AND A PLATE THICKNESS OF 1.8mm.
2. FIR TREE PULL OUT FORCE: 110 NEWTONS (25 LBS) MIN IN THE APPLICABLE NOMINAL HOLE SIZE AND A PLATE THICKNESS OF 1.8mm.
3. SHEET METAL THICKNESS RANGE: 0.60mm - 5.5mm
4. APPLICABLE HOLE SIZE:
A. 8.0mm +/- 0.4
5. CLIP PUSH ON FORCE: 55 NEWTONS (12.5 LBS) MAX USING NOMINAL PIN SIZE OF 6.35MM

NOTES:

1. MAXIMUM PERCENT REGRIND PERMISSIBLE: 25%
2. MAX ALLOWABLE FLASH OR MISMATCH TO BE 1MM



Material PA66HIRHS COLOR: BLACK	Units	millimeters	The copyright of this drawing is reserved by HellermannTyton. It is issued on condition that it is not reproduced, copied or disclosed to a third party, either wholly or in part, without the consent of HellermannTyton.	Drawn	TAT	01/24/17	Article/Type-No PC6.5X2FT8.0	Scale	2:1	
	Tolerance defined on each dimension	Approved		EJH	01/25/17	Title FT 8.0 WITH TWO 6.35MM CLIPS		Project Number	17-0124	
					Drawing-No		PRODUCTION : Phase	Format	AH	
								17-0124-001-CSU		Sheet
				North America Email: corp@htamericas.com Web: www.hellermann.tyton.com						