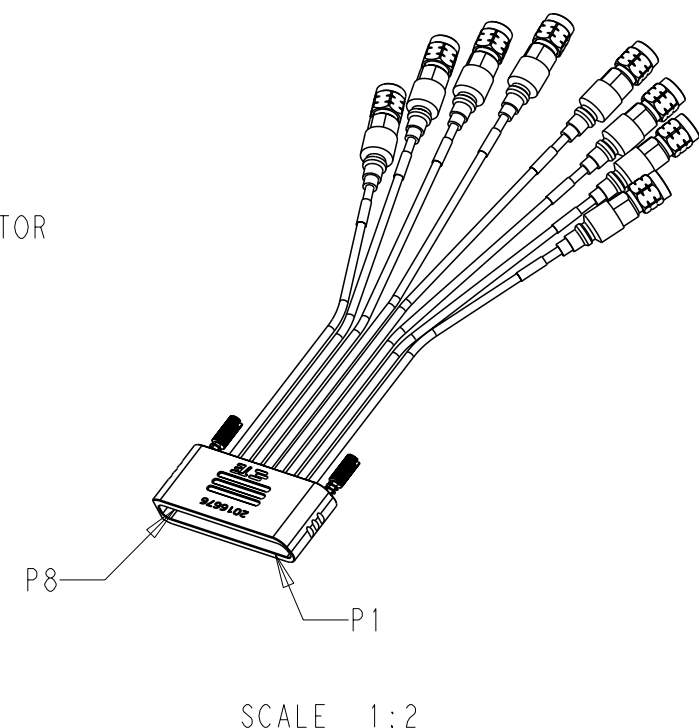
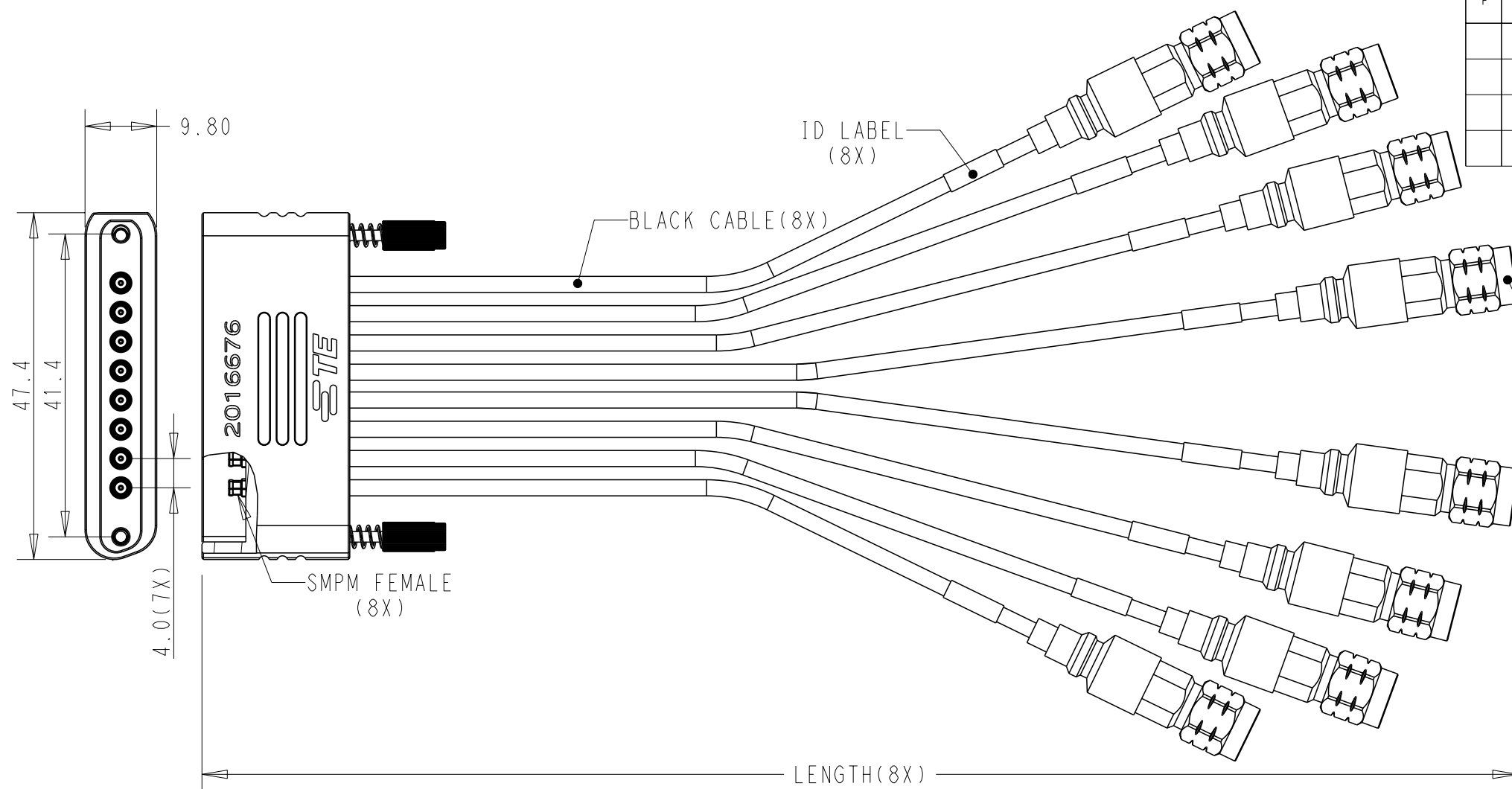


REVISIONS

P	LTR	DESCRIPTION	DATE	DWN	APVD
1		INITIAL CREATED	08MAR2020	CL	RS
2		ADDED LABEL	22APR2022	CL	WH
A		INITIAL CREATED	15MAY2022	CL	WH



NOTES:

- MATERIAL AND PROCESSING MUST MEET REQUIREMENTS OF TEC-138-702
- MATERIAL CHARACTER
1.85 CONNECOTR:
BODY & NUT: STAINLESS STEEL
CONTACT: BeCU GOLD PLATING
INSULATION: PEI
CABLE: HI-FLEXIBLE, BLACK
- PRODUCT RATING:
TEMPERATURE: -40°C TO +85°C
VOLTAGE: 250V (RMS)
CHARACTERISTIC IMPEDANCE: 50 OHMS Normal
FREQUENCY RANGE: DC TO 67GHz
DURABILITY: NO LESS THAN 500TIMES
CABLE RETENTION FORCE: 110N MIN
BEND RADIUS: 14MM MIN (STATIC)
35MM MIN(REPEATED)
- CABLE ASSEMBLY TO BE 100% SI TESTED
VSWR: 1.45:1 MAX @ DC~40GHz
1.60:1 MAX @ 40~67GHz
INSERT LOSS: REFER TO TABLE
- 1.85 CONNECTOR COUPLING TORQUE: 0.9±0.1Nm
- CONNECTOR NEED COVER WITH CAP, PACKAGE FOLLOW TEC-107-115
- MATE WITH 2081408-1(NEED SEPARATE TO BUY)

1-2016476-0	39.4±0.30INCH	1000±8MM	-12.6dB MIN@67GHz
2016476-9	36.0±0.30INCH	910±8MM	-11.5dB MIN@67GHz
2016476-6	24.0±0.25INCH	610±6MM	-7.8dB MIN@67GHz
2016476-3	12.0±0.20INCH	305±5MM	-4.1dB MIN@67GHz
2016676-1	6.0±0.10ICH	152±5MM	-2.3dB MIN@67GHz
TE PN	LENGTH	INSERTION LOSS	


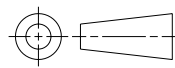
THIS DRAWING IS A CONTROLLED DOCUMENT.		DWN	08MAR2020		
		CHK	Cedar Liu 08MAR2020		
		APVD	22APR2022	NAME	
DIMENSIONS: mm		TOLERANCES UNLESS OTHERWISE SPECIFIED:		8IN1 CA, SMPM TO 1.85 UP TO 67GHz	
		0 PLC ±- 1 PLC ±0.2 2 PLC ±0.02 3 PLC ±0.002 4 PLC ±0.0001 ANGLES ±-		PRODUCT SPEC	
MATERIAL		FINISH		APPLICATION SPEC	
TBD		-		-	
-		finish_spec_2		WEIGHT	
		CUSTOMER DRAWING		SIZE	A3
				CAGE CODE	00779
				DRAWING NO	C-2016676
				RESTRICTED TO	-
				SCALE	1:2
				SHEET	1 OF 2
				REV	A

Printed on 17 May 2022 22:27 (China Standard Time) from JC001678

REVISIONS

P	LTR	DESCRIPTION	DATE	DWN	APVD
-		SEE SHEET 1	-	-	-

					STOCK DISPOSITION: (CHOOSE LETTER FROM PARENTHESES)			
					A. CONTINUE AS IS		D. USE OLD FIRST	
					B. REWORK		E. PARTS TO CONFORM	
					C. SCRAP		F. OTHER	
					INVENTORY	WORK IN PROCESS	SUPPLIER ORDERS	OPEN CUST. ORDERS
DATE	REV	CHANGES	REASON	APPROVAL	(A, B, C, D, E, F)	(A, B, C, F)	(A, E, F)	(A, E, F)
16APR2022	2	ADDED LABEL	INITIAL CREATED	WenKe He	A	A	A	A

THIS DRAWING IS A CONTROLLED DOCUMENT.		DWN	08MAR2020	 TE Connectivity	
		CHK	08MAR2020		
DIMENSIONS: mm		TOLERANCES UNLESS OTHERWISE SPECIFIED:		NAME 8IN1 CA, SMPM TO 1.85 UP TO 67GHz	
		0 PLC ±-		APVD	
		1 PLC ±0.2		22APR2022	
		2 PLC ±0.02		PRODUCT SPEC	
		3 PLC ±0.002		-	
		4 PLC ±0.0001		APPLICATION SPEC	
		ANGLES ±		-	
MATERIAL TBD		FINISH -		WEIGHT	
		finish_spec_2		-	
		CUSTOMER DRAWING		SIZE	RESTRICTED TO
				A3	-
				CAGE CODE	DRAWING NO
				00779	C-2016676
				SCALE	SHEET
				1:2	2 OF 2
				REV	A

printed on 17 May 2022 22:27 (China Standard Time) from JC001678