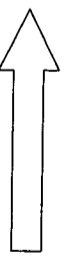
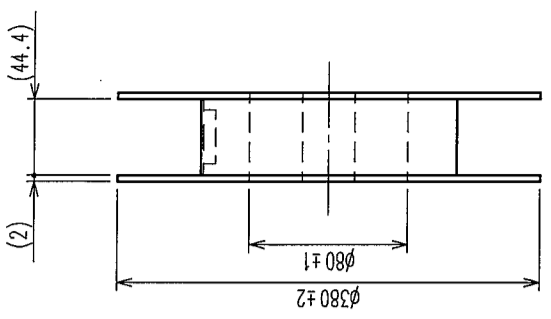
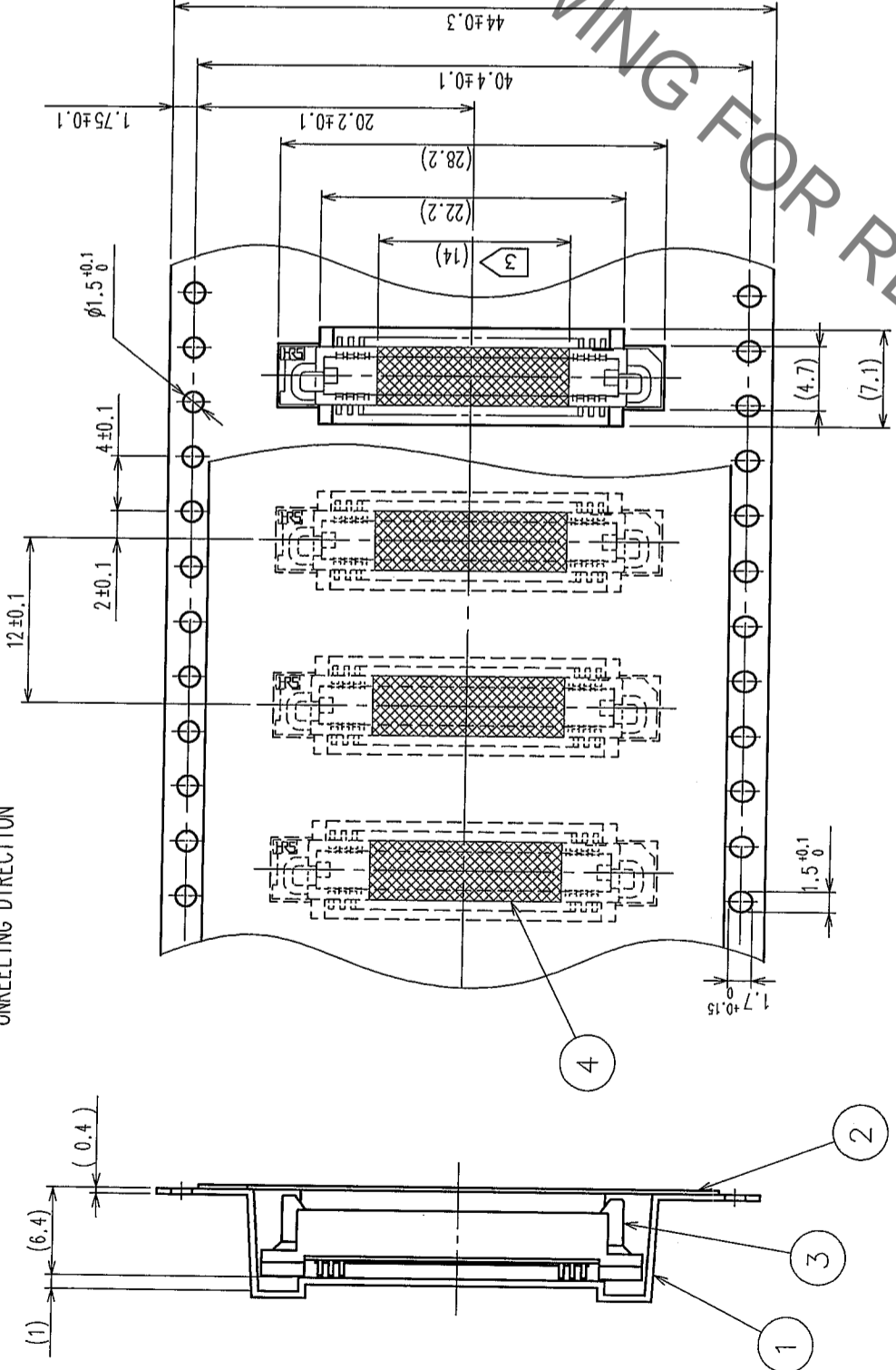




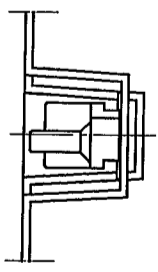
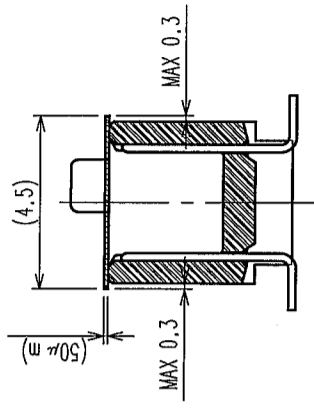
COUNT	DESCRIPTION OF REVISIONS	BY	CHKD	DATE	COUNT	DESCRIPTION OF REVISIONS	BY	CHKD	DATE



UNREELING DIRECTION

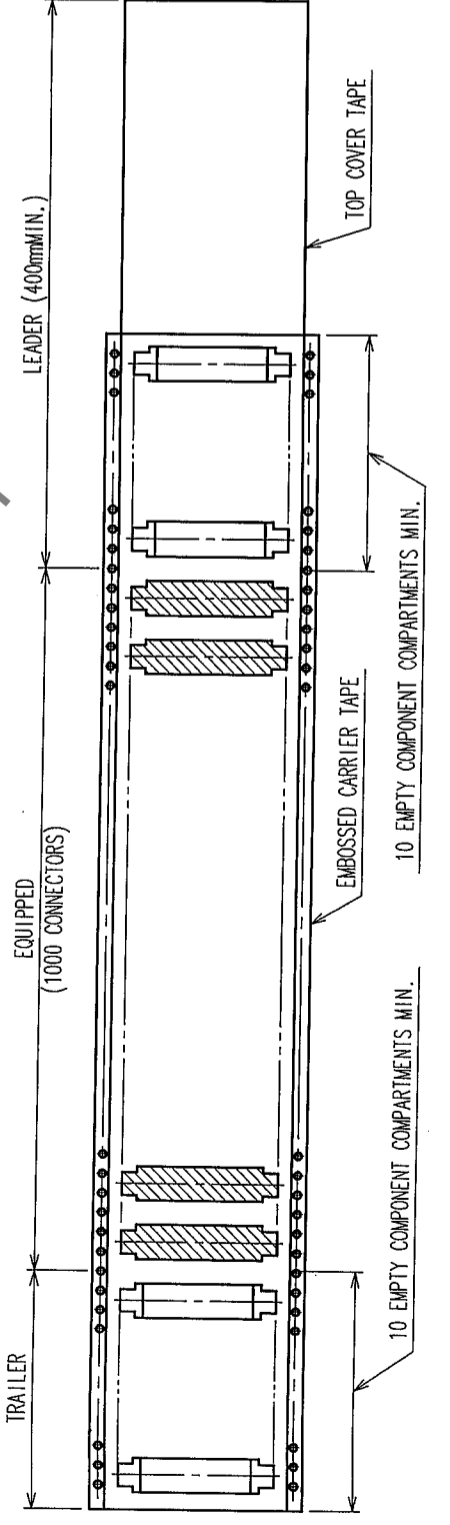


REEL DIMENSION (FREE)



DETAIL OF TAPE FOR VACUUM PICKUP (5:1)

- NOTE 1 THE DIMENSIONS IN PARENTHESES ARE FOR REFERENCE.  
 2 1 REEL : 1000 CONNECTORS  
 3 REMOVE THE VACUUM PICK-UP TAPE AFTER MOUNTING THE CONNECTOR.



NO.	MATERIAL	FINISH, REMARKS	NO.	MATERIAL	FINISH, REMARKS
2	POLYESTER	TOP COVER TAPE	4	POLYIMIDE	TAPE FOR VACUUM PICKUP (CONNECTOR)
1	POLYSTYRENE	EMBOSSED CARRIER TAPE	3		

CODE NO. (OLD)	CL	DRAWN	DESIGNED	CHECKED	APPROVED	RELEASED
		Y. AOYAGI	<i>K. Mada</i>	<i>K. Oyamane</i>	<i>K. Okawa</i>	
		'05.09.15	'05.09.26	'05.09.26	'05.09.26	

DRAWING NO.	PART NO.
EDC3-071643-23	FX6A-50P-0.8SV1(93)

SCALE	UNITS
2 : 1	mm



HIROSE ELECTRIC CO., LTD

CL576-0224-8-93