

**NOTES :**

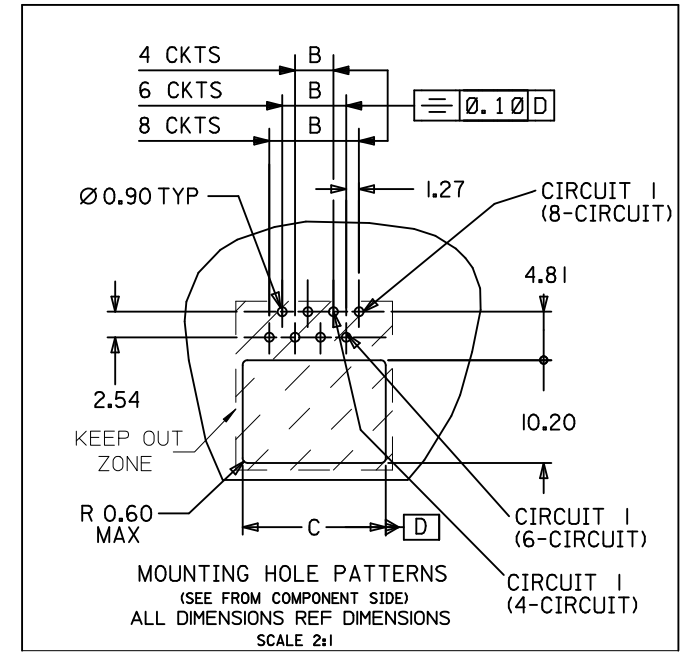
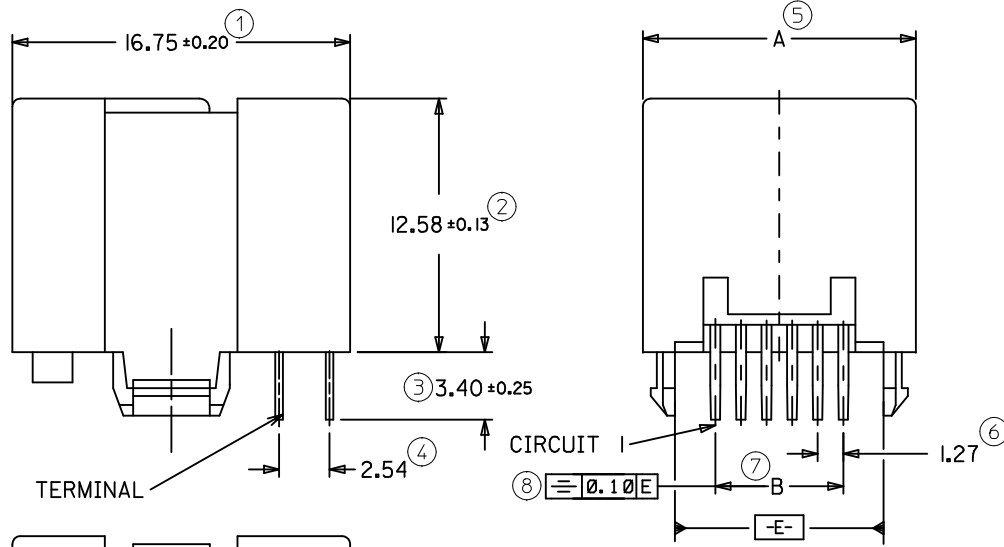
**I- MATERIAL:**

- HOUSING: L C P FIBER GLASS FILLED UL 94-V0 COLOR BLACK.
- MODULE : L C P FIBER GLASS FILLED UL 94-V0 COLOR BLACK.
- TERMINAL: COPPER ALLOY

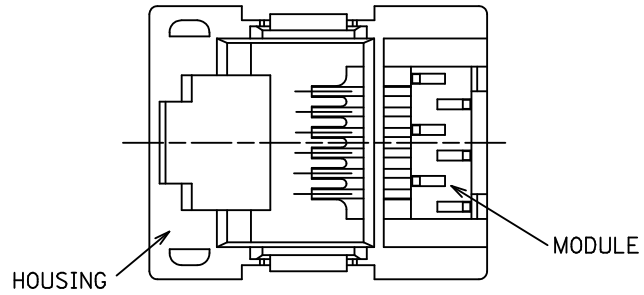
**PLATING:**

PLATING 7: POST PLATE 0.00005 MIN GOLD FLASH OVER  
 0.00060 MIN PALLADIUM-NICKEL IN CONTACT AREA,  
 0.00190 MIN PURE TIN IN TAIL AREA  
 BOTH OVER 0.00127 MIN NICKEL OVERALL

- 2- JACK FOR MATING WITH IEC 60603-7 AND TIA-1096-A PLUGS 90075 MOLEX SERIES.
  - 3- PCB THICKNESS : 1.57
  - 4- PRODUCT SPECIFICATION PS-95502-001
  - 5- PACKAGING SPECIFICATION PK-95002
  - 6- APPLICATION SPECIFICATION: AS-85513-001
  - 7- MANUFACTURING I.D. CAN BE MG, MXF OR MXI.
- LAST INSPECTION NUMBER: 8



P/N	PLATING	HOUSING SIZE	CKTS.	DIM.		
				A ±0.13	B ±0.05 / ±0.10	C ±0.08
95502-7443	7	POS 4	4 CKTS	11.50	3.81	10.20
95502-7643	7	POS 6	4 CKTS	13.55	3.81	12.20
95502-7663	7	POS 6	6 CKTS	13.55	6.35	12.20
95502-7883	7	POS 8	8 CKTS	15.55	8.89	14.20



CORRECTED VIEWS EC NO: IPG2013-1115 DRW:DBYRNES 2013/01/24 CHKD:SMCGREEVY 2013/02/05 APPR:STGRIFFIN 2013/02/21	QUALITY SYMBOLS	GENERAL TOLERANCES (UNLESS SPECIFIED)	DIMENSION STYLE	SCALE	DESIGN UNITS	THIRD ANGLE PROJECTION	
	▼=0 ▽=0	mm    INCH 4 PLACES ± --- ± --- 3 PLACES ± --- ± --- 2 PLACES ± 0.15 ± --- 1 PLACE ± 0.25 ± --- ANGULAR ± .5 °	MM ONLY	4:1	METRIC		
			DRAWN BY: TMARTIN    DATE: 2005/05/31	TITLE: BOTTOM ENTRY LOW PROFILE MODULAR JACK (THROUGH HOLE VERSION)			
			CHECKED BY: FCARABETTA    DATE: 2005/05/31	MOLEX INCORPORATED			
		APPROVED BY: KNOLLER    DATE: 2005/05/31	DOCUMENT NO. SD-95502-001				
		MATERIAL NO.	SHEET NO. 1 OF 1				
		DRAFT WHERE APPLICABLE MUST REMAIN WITHIN DIMENSIONS	THIS DRAWING CONTAINS INFORMATION THAT IS PROPRIETARY TO MOLEX INCORPORATED AND SHOULD NOT BE USED WITHOUT WRITTEN PERMISSION				