

MODEL: CUSP-T80-12-2600-TH | **DESCRIPTION:** ULTRASONIC SENSOR

FEATURES

- plastic can
- open type
- transmitter
- SPL 115 dB
- detectable range 12 meters


SPECIFICATIONS

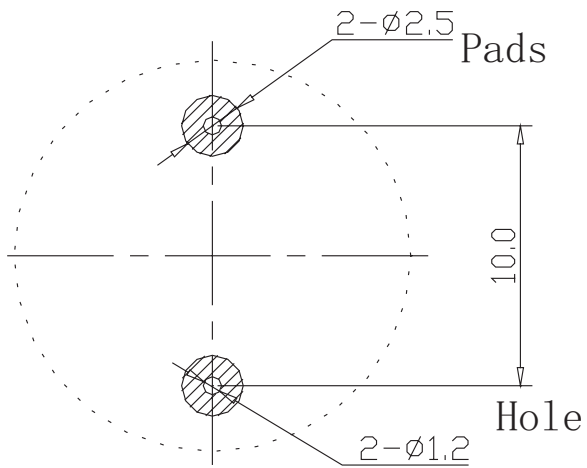
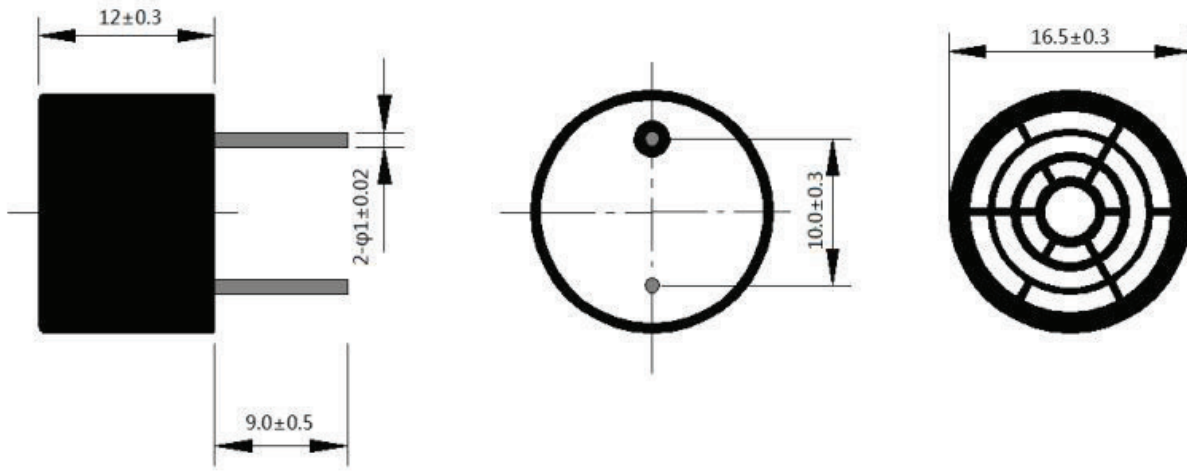
| parameter | conditions/description | min | typ | max | units |
|-----------------------|------------------------------|-------|-------|-------|--------|
| type | transmitter | | | | |
| operating voltage | at 25 kHz | | | 180 | Vp-p |
| frequency | | 24 | 25 | 26 | kHz |
| sound pressure level | at 10 V, 30 cm, sine wave | 115 | | | dB |
| directivity | | | 80 | | degree |
| capacitance | at 1 kHz | 2,080 | 2,600 | 3,120 | pF |
| detectable range | | 0.2 | | 12 | m |
| dimensions | Ø16.5 x 12.0 | | | | mm |
| material | ABS | | | | |
| terminal | pins (iron with tin plating) | | | | |
| weight | | | 2.0 | | g |
| operating temperature | | -30 | | 85 | °C |
| RoHS | yes | | | | |

SOLDERABILITY

| parameter | conditions/description | min | typ | max | units |
|----------------|------------------------|-----|-----|-----|-------|
| hand soldering | for 3 ± 0.5 seconds | 370 | 380 | 390 | °C |

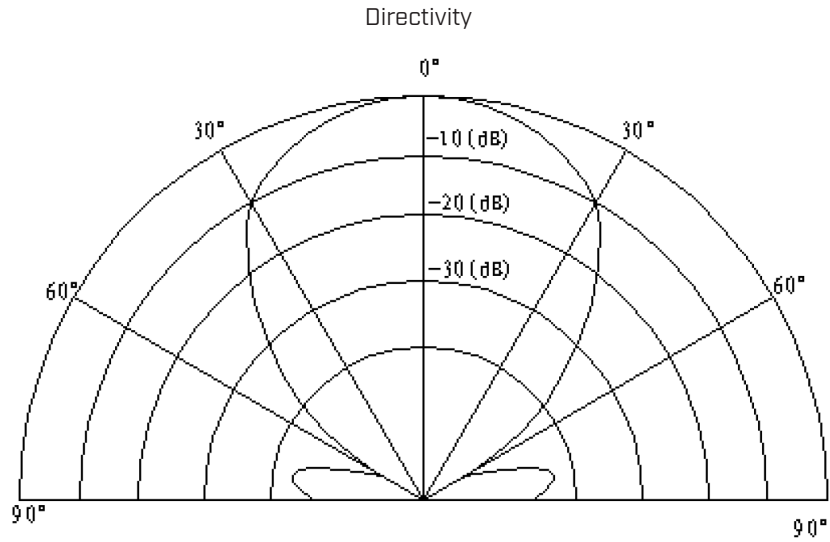
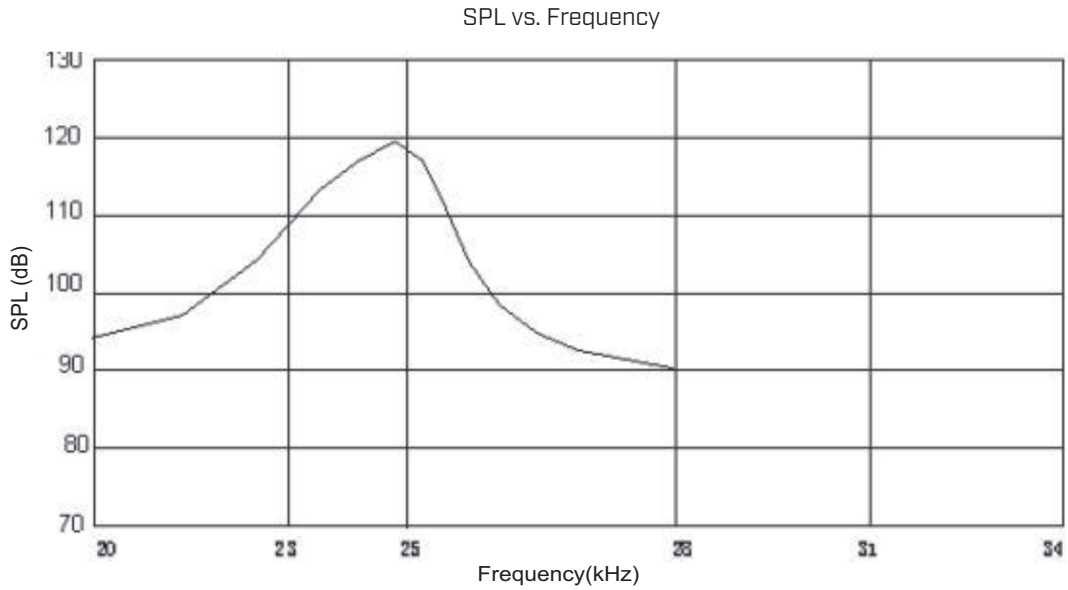
MECHANICAL DRAWING

units: mm



Recommended PCB Layout
Top View

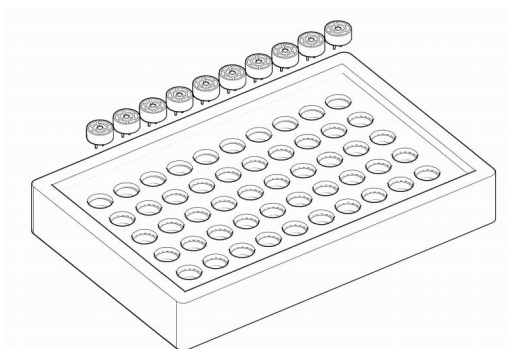
BEAM PATTERNS



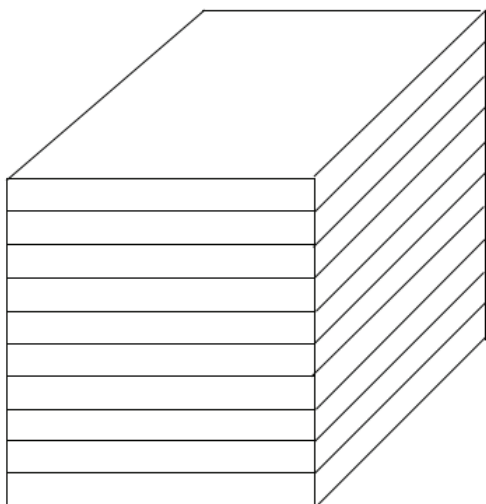
PACKAGING

units: mm

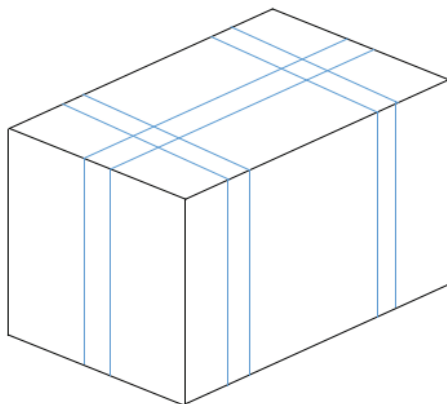
Tray Size: 240 x 160 x 30 mm
Tray QTY: 50 pcs per tray
Carton Size: 480 x 280 x 320 mm
Carton QTY: 2,000 pcs per carton



50PCS/BOX
BOX SIZE:24*16*3CM



10BOXES/STACK, TOTAL 500PCS
STACK SIZE:24*16*24CM



2000PCS/CARTON
CARTON SIZE:48*28*32CM

REVISION HISTORY

| rev. | description | date |
|------|------------------------------|------------|
| 1.0 | initial release | 12/02/2020 |
| 1.01 | logo, datasheet style update | 08/05/2022 |

The revision history provided is for informational purposes only and is believed to be accurate.



CUI Devices offers a one (1) year limited warranty. Complete warranty information is listed on our website.

CUI Devices reserves the right to make changes to the product at any time without notice. Information provided by CUI Devices is believed to be accurate and reliable. However, no responsibility is assumed by CUI Devices for its use, nor for any infringements of patents or other rights of third parties which may result from its use.

CUI Devices products are not authorized or warranted for use as critical components in equipment that requires an extremely high level of reliability. A critical component is any component of a life support device or system whose failure to perform can be reasonably expected to cause the failure of the life support device or system, or to affect its safety or effectiveness.

cuidevices.com