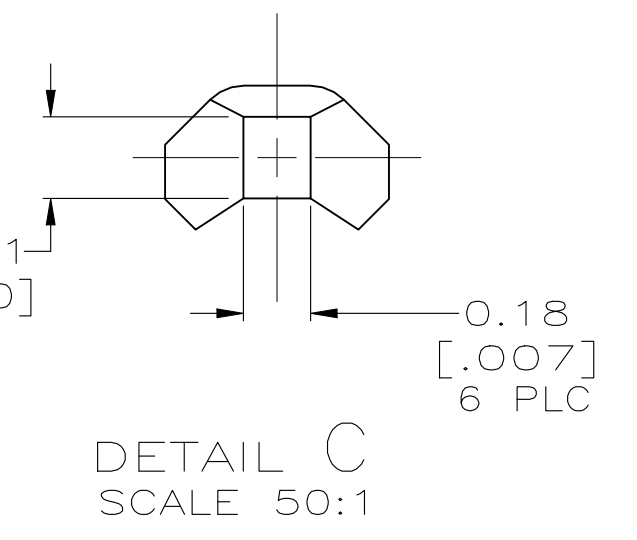
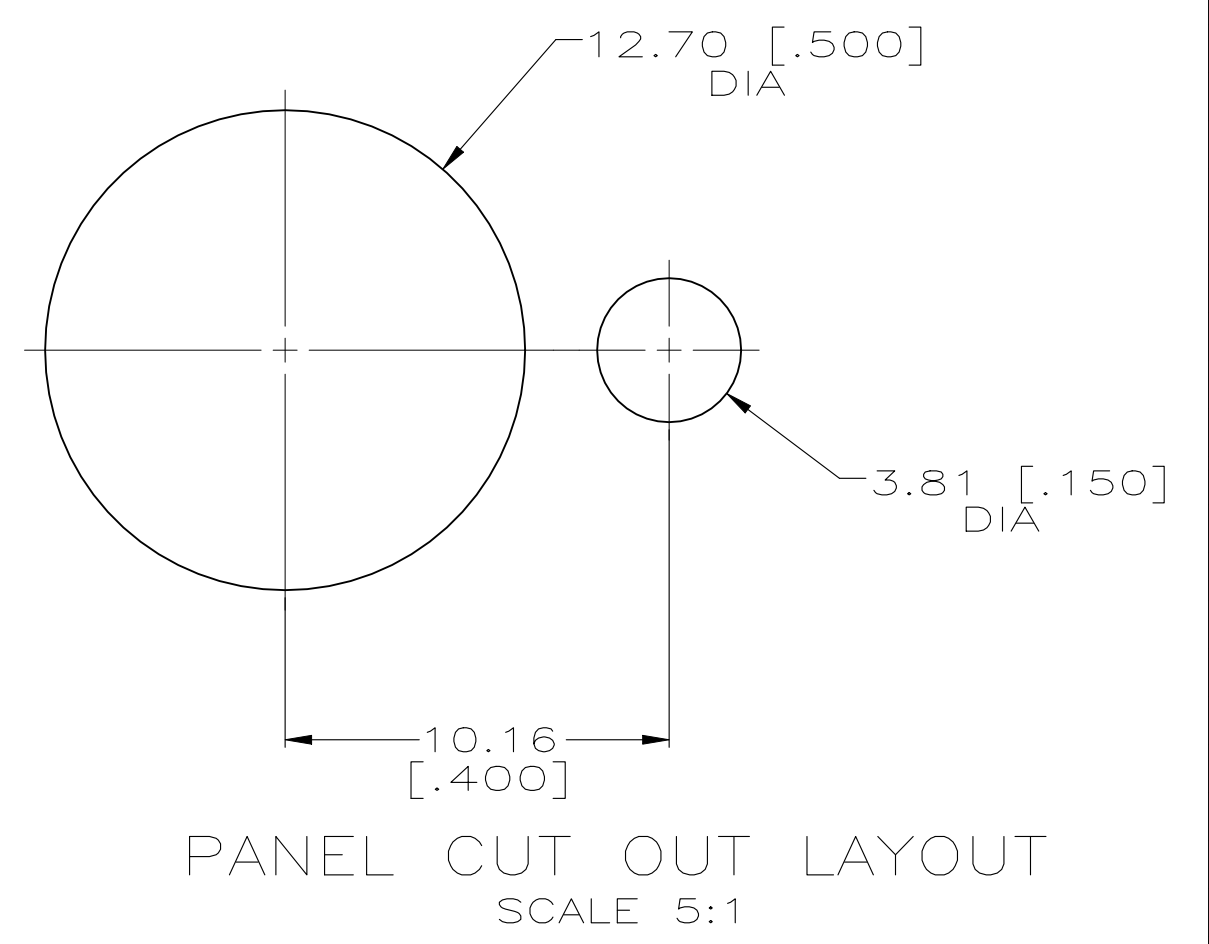
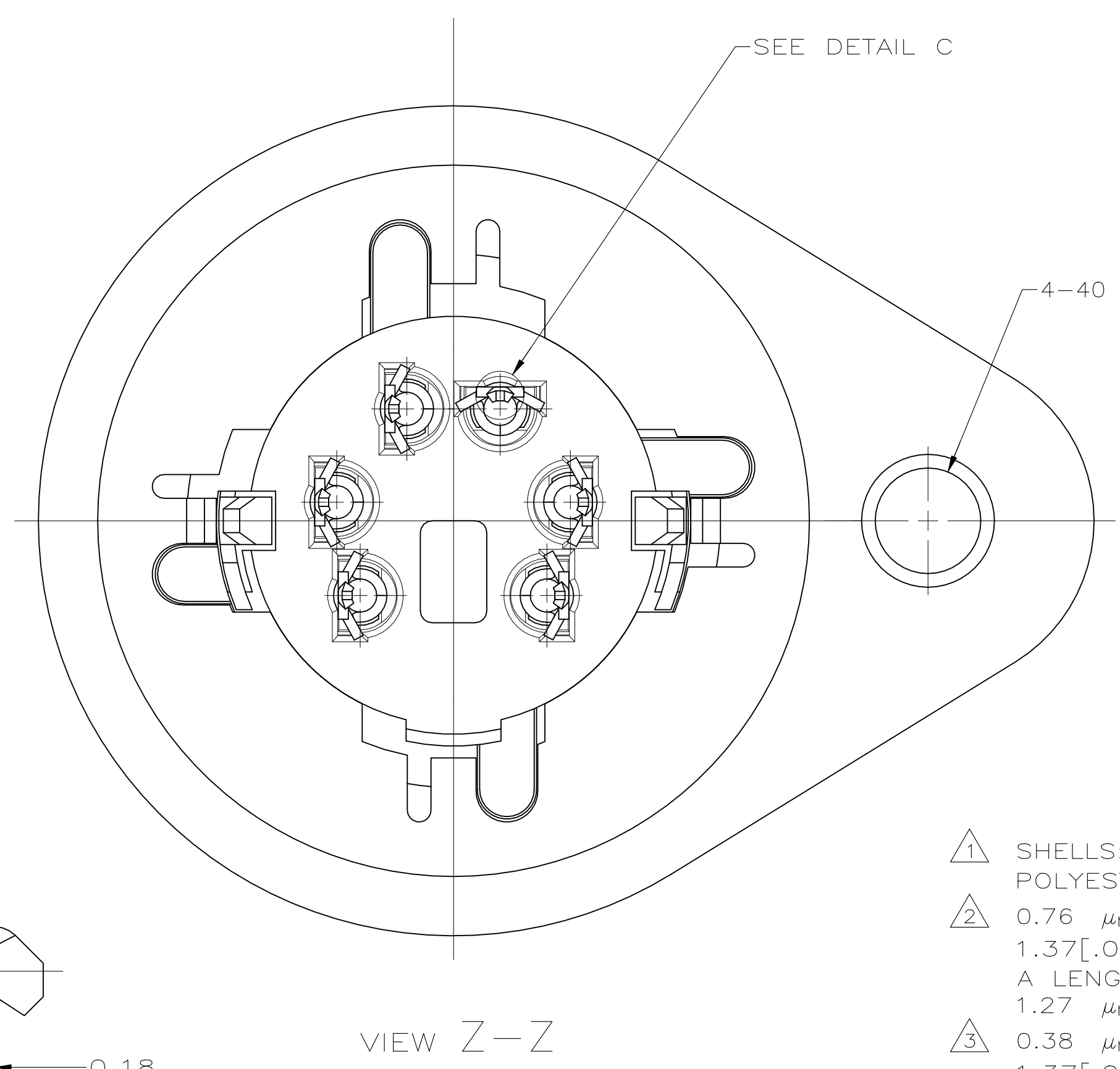
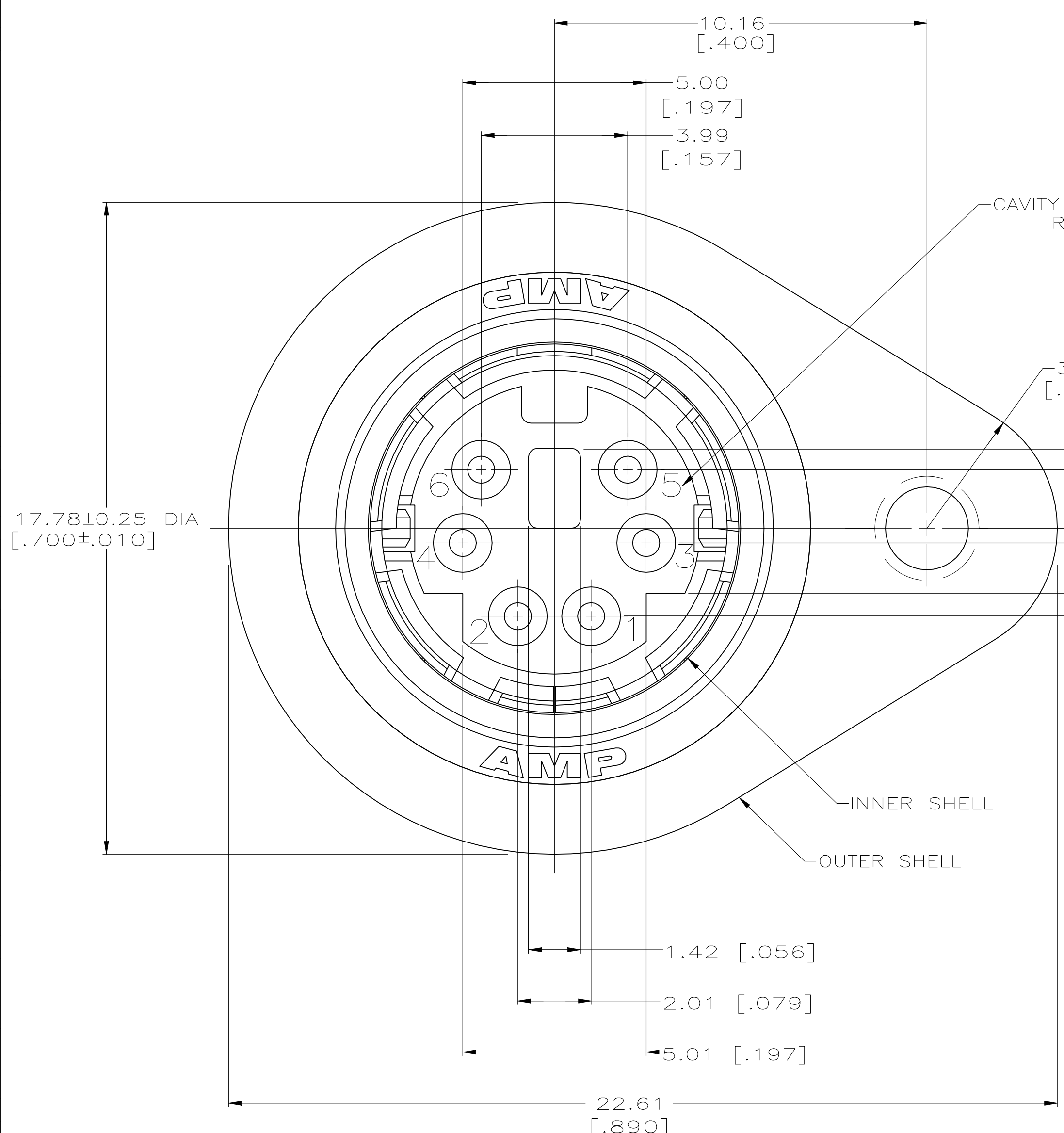
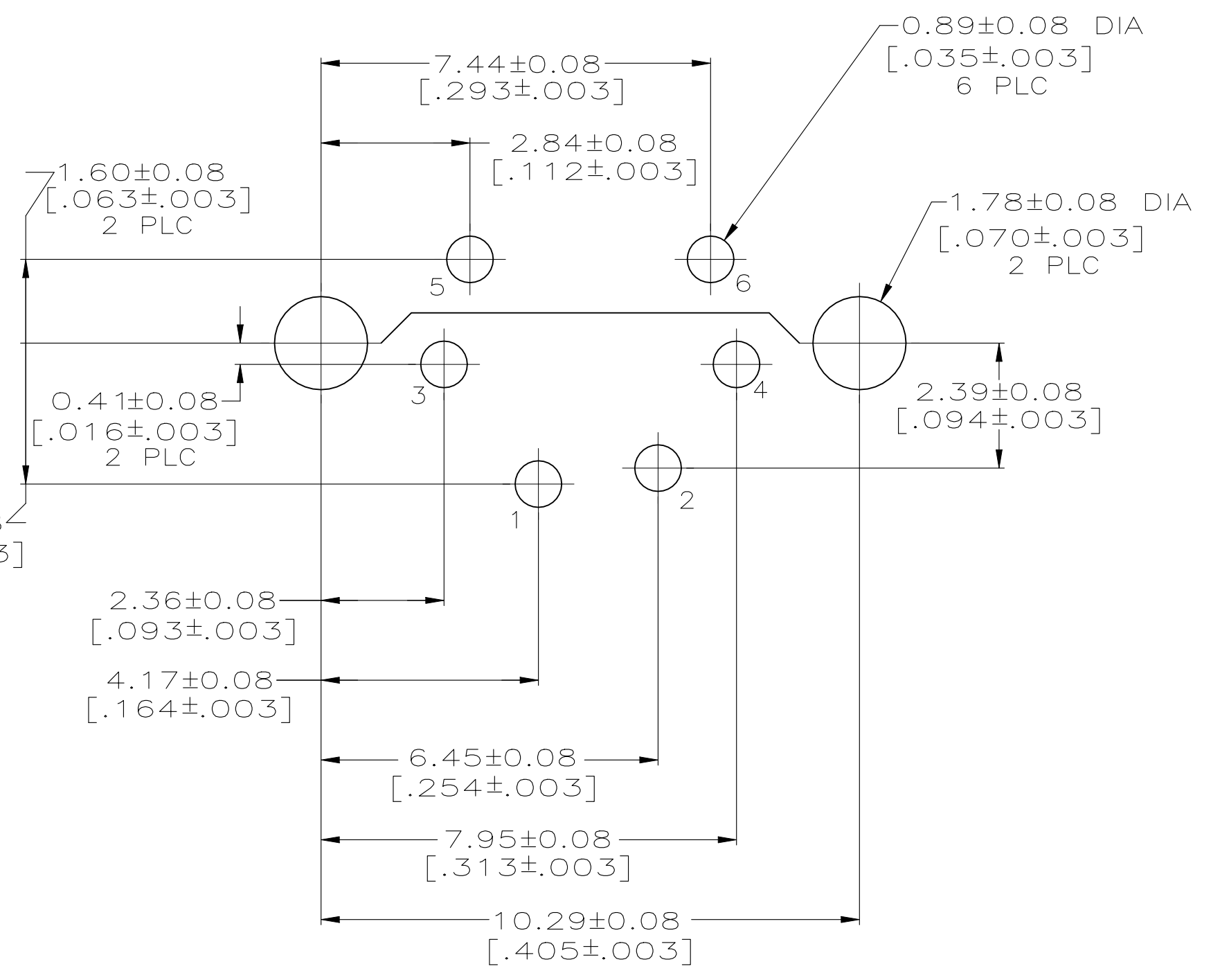
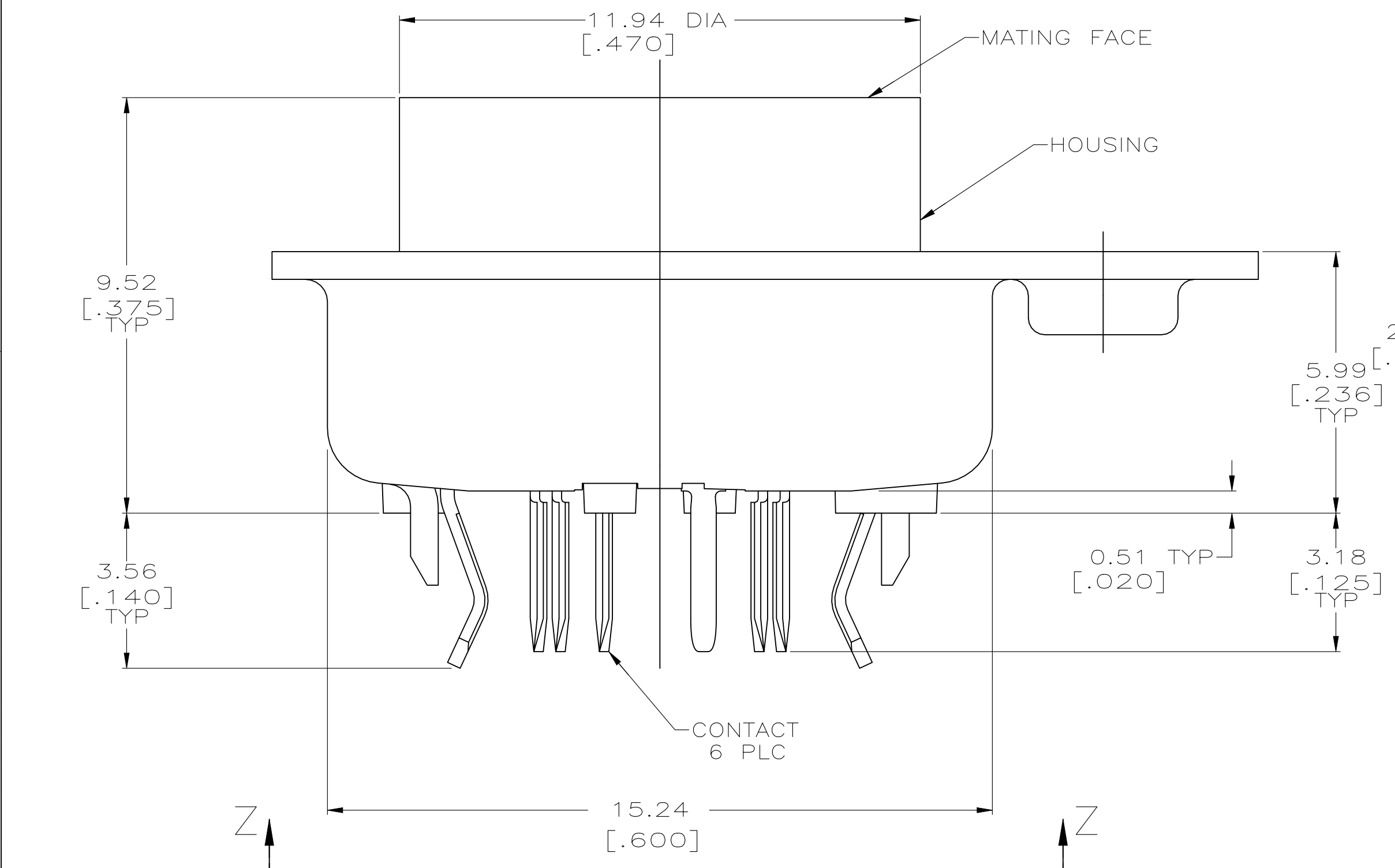


REVISIONS				
P	LTR	DESCRIPTION	DATE	APVD
E		REVISED PER ECN-22-133953	30MAY2022	AK SZ



- ① SHELLS: BRASS; CONTACTS: PHOSPHOR BRONZE; HOUSING: POLYESTER, UL 94V-0 RATED, BLACK.
- ② 0.76 μm [.000030] MIN GOLD ON MATING END FOR A LENGTH OF 1.37 [.054] MIN ON INSIDE, 2.54 μm [.000100] MIN TIN-LEAD FOR A LENGTH OF 3.30 [.130] MIN FROM OPPOSITE END, ALL OVER 1.27 μm [.000050] MIN NICKEL.
- ③ 0.38 μm [.000015] MIN GOLD ON MATING END FOR A LENGTH OF 1.37 [.054] MIN ON INSIDE, 2.54 μm [.000100] MIN TIN-LEAD FOR A LENGTH OF 3.30 [.130] MIN FROM OPPOSITE END, ALL OVER 1.27 μm [.000050] MIN NICKEL.
- ④ 2.54 μm [.000100] MIN TIN-LEAD OVER 1.27 μm [.000050] MIN NICKEL.
- ⑤ GOLD PLATING PER MIL-G-45204, TIN PLATING PER MIL-T-10727, NICKEL PLATING PER QQ-N-290, COPPER PLATING PER MIL-C-14550.
- ⑥ RECEPTACLE ASSEMBLY MATES WITH 6 PIN, 8.99±0.10 [.354±.004] DIAMETER PLUG.
- ⑦ 3.81 μm [.000150] MIN TIN-LEAD OVER 2.54 μm [.000100] MIN COPPER.
- ⑧ 2.54 μm [.000100] MIN TIN OVER 1.27 μm [.000050] MIN NICKEL.
- ⑨ 3.81 μm [.000150] MIN TIN OVER 2.54 μm [.000100] MIN COPPER.



OBsolete	⑨	⑧	②/⑤	750131-3
OBsolete	⑦/⑧	④/⑤	②/③	750131-2
OBsolete	⑦/⑧	④/⑤	③	750131-1
	OUTER SHIELD FINISH	INNER SHELL FINISH	CONTACT FINISH	PART NUMBER

THIS DRAWING IS A CONTROLLED DOCUMENT. DIN W.G.LENKER 03/05/90. CHK R STONE 3-12-90. NAME: RCPT ASSEMBLY, 6 POS, LOW FLANGE, SHIELDED, VERTICAL MNT, MINIATURE CIRCULAR DIN. DIMENSIONS: INCHES. TOLERANCES UNLESS OTHERWISE SPECIFIED: 0 PLC ± -, 1 PLC ± -, 2 PLC ± 0.13 [.005], 3 PLC ± -, 4 PLC ± -, ANGLES ± -.

MATERIAL: SEE TABLE. WEIGHT: 0.000000. SIZE: A1. CAGE CODE: 00779. DRAWING NO: 750131. CUSTOMER DRAWING. SCALE: 10:1. SHEET: 1 of 1. REV: E.