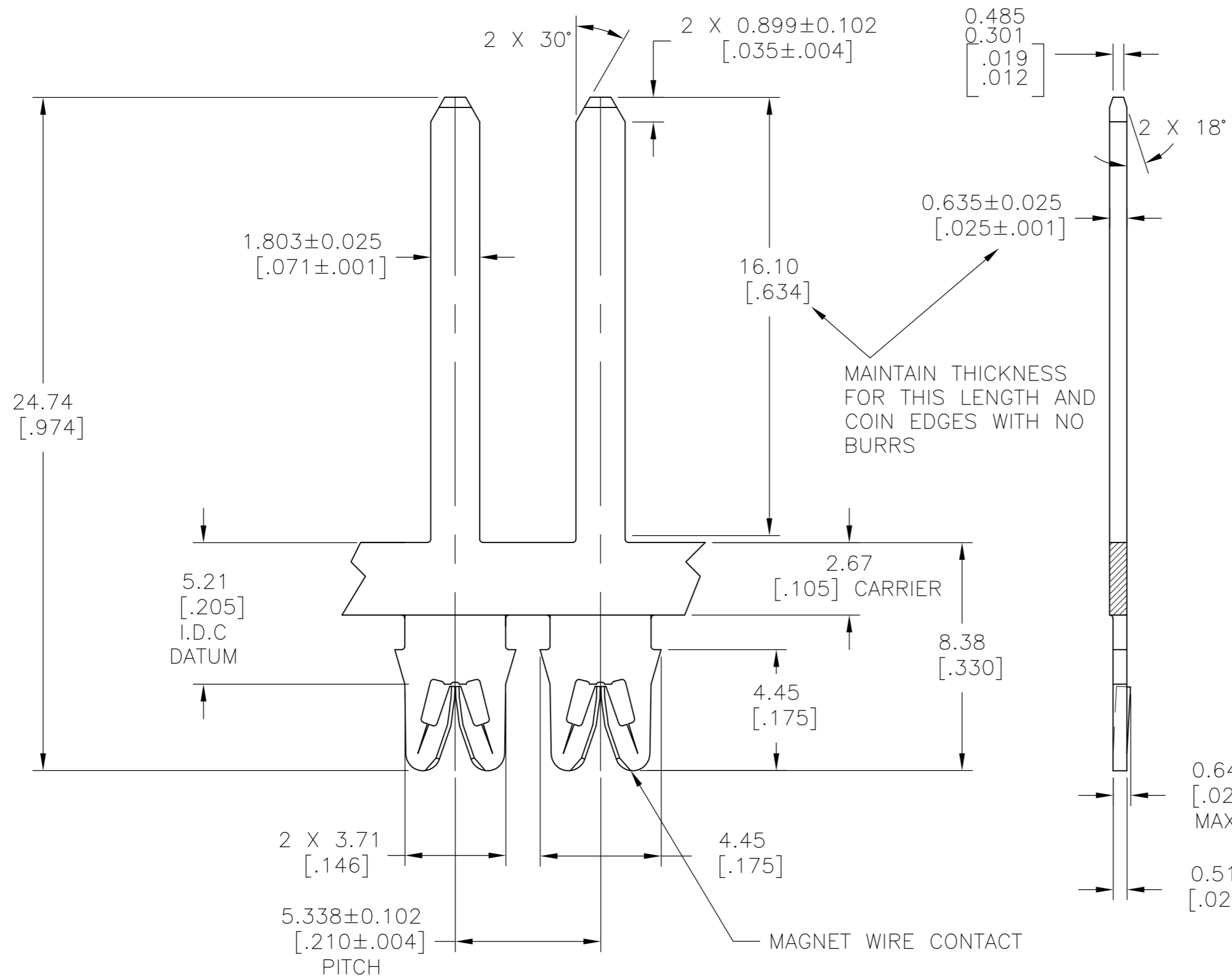
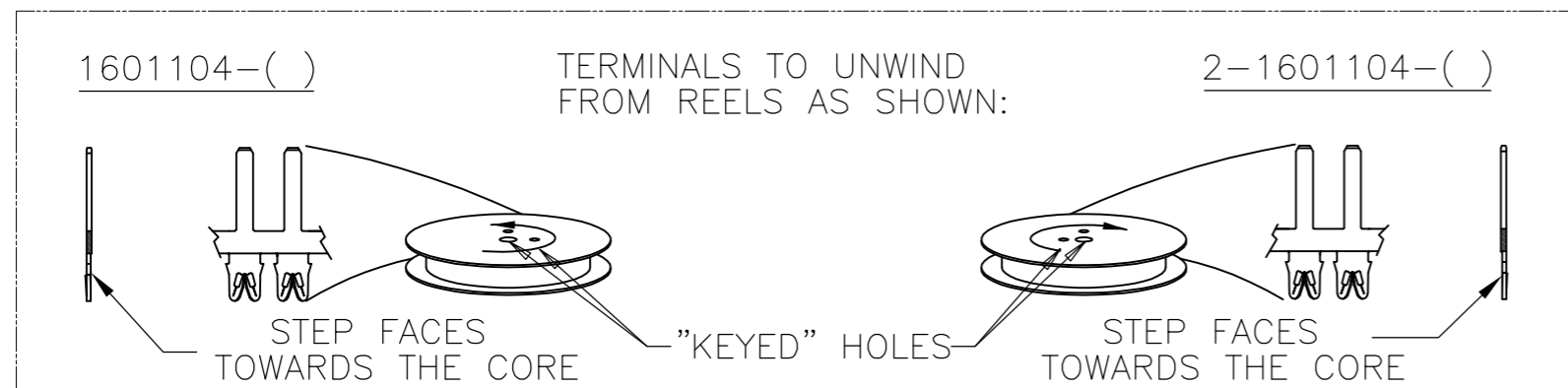
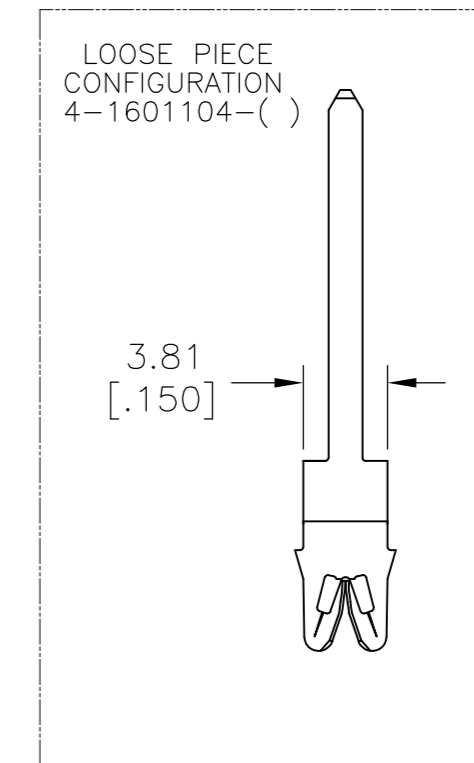


THIS DRAWING IS UNPUBLISHED. RELEASED FOR PUBLICATION
 © COPYRIGHT BY TYCO ELECTRONICS CORPORATION. ALL INTERNATIONAL RIGHTS RESERVED.

LOC		DIST		REVISIONS			
P	LTR	DESCRIPTION		DATE	DWN	APVD	
		C3		REVISED PER ECR-10-004798	10MAR10	HMR	GJ



- SPECIFICATIONS:
MAGNET WIRE #18- #34 AWG 1.02 [.040]
- 0.16 [.006] DIA COPPER.
- POCKET RECOMMENDATION: # 1601431
- TERMINAL APPLICATION TO COMPLY WITH TYCO ELECTRONICS SPECIFICATION 114-13166 FIGURE 10
- SPLICES PER REEL TO BE 1 MAX.
- PRELIMINARY - NOT FOR PRODUCTION
- OBsolete PARTS: OBSOLETE CIS STREAMLINING PER D.RENAUD/D.SINISI
- TWO TERMINALS SHOWN FOR ILLUSTRATION PURPOSES ONLY



-	-	-	-
4	PRE TIN PLATE	-	5 2-1601104-3
4	PRE TIN PLATE	-	5 1601104-3
6	PRE TIN PLATE	031-175-021	4 1601104-2
-	PRE TIN PLATE	131-176-021	2-1601104-2
-	PRE TIN PLATE	131-175-021	1601104-2
REELING	FINISH	REFERENCE PART NUMBER	TE PART NUMBER

THIS DRAWING IS A CONTROLLED DOCUMENT.

DIMENSIONS: mm [INCHES]

TOLERANCES UNLESS OTHERWISE SPECIFIED:

0 PLC	± -
1 PLC	± 0.25[.01]
2 PLC	± 0.13[.005]
3 PLC	± -
4 PLC	± -
ANGLES	± 2°

MATERIAL: BRASS, 3/4 HARD

FINISH: SEE TABLE

APPROVALS:

DWN	J.WELLER	11JAN2002
CHK	M.FEHER	11JAN2002
APVD	K.RANDOLPH	11JAN2002

PRODUCT SPEC: 108-2085

APPLICATION SPEC: 3

WEIGHT: -

CUSTOMER DRAWING

Tyco Electronics Corporation
Harrisburg, PA 17105-3608

NAME: STANDARD RANGE WIRE TO 1.8 X 0.64 TAB SIAMEZE TERMINAL

SIZE: A2 CAGE CODE: 00779 C=1601104 DRAWING NO: RESTRICTED TO: -

SCALE: 6:1 SHEET: 1 OF 1 REV: C3