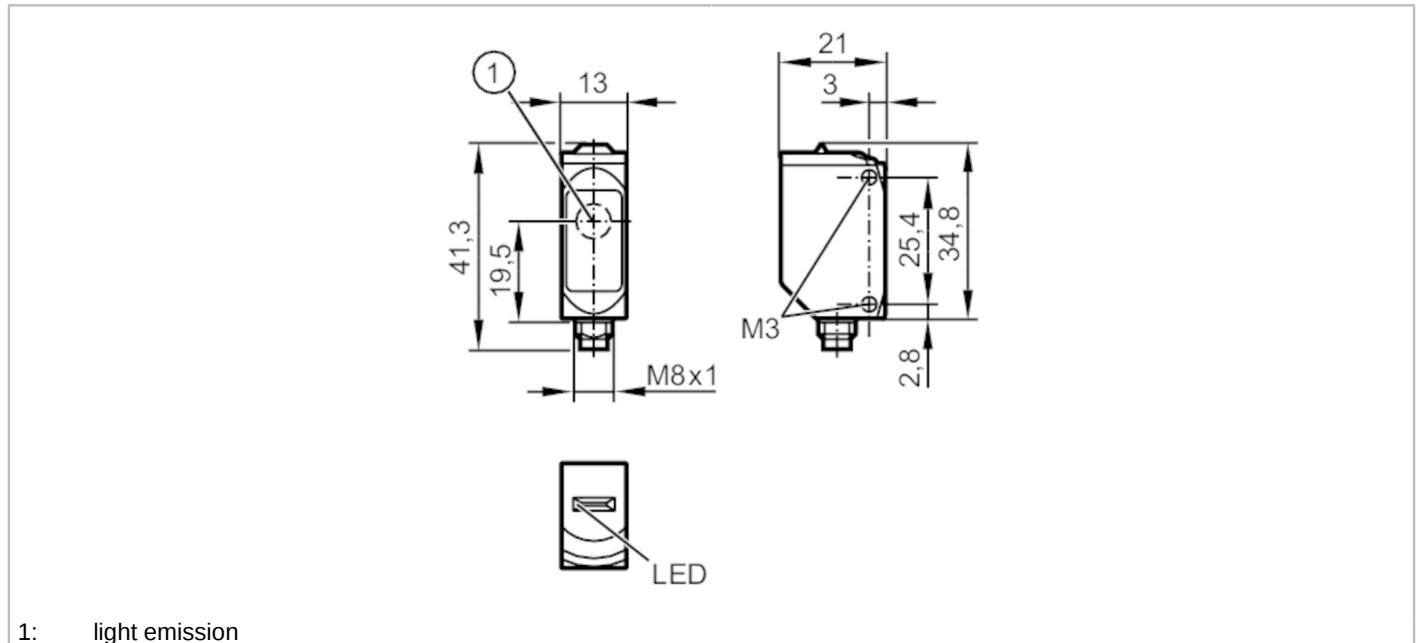


O6S400



Through-beam sensor transmitter

O6S-OOKG/AS/4P



1: light emission



Product characteristics	
Type of light	red light
Housing	rectangular
Application	
Function principle	Through-beam sensor
Application	suited for use in the machine tool industry
Electrical data	
Operating voltage [V]	10...30 DC
Current consumption [mA]	11; ((24 V))
Protection class	III
Type of light	red light
Wave length [nm]	633
Detection zone	
Transmitter / receiver	transmitter
Range [m]	< 10
Max. light spot diameter [mm]	300
Light spot dimensions refer to	at maximum range
Operating conditions	
Ambient temperature [°C]	-25...60
Protection	IP 65; IP 67; IP 68
Tests / approvals	
EMC	EN 60947-5-2
MTTF [years]	2942
UL approval	UL Approval no. E002

O6S400



Through-beam sensor transmitter

O6S-OOKG/AS/4P

Mechanical data		
Weight	[g]	33.7
Housing		rectangular
Dimensions	[mm]	34.8 x 13 x 21
Materials		housing: stainless steel (1.4404 / 316L); plastics: PPSU; Sealing: FKM
Lens material		PMMA
Lens alignment		side lens
Tightening torque	[Nm]	1; (screws)

Displays / operating elements		
Display	operation	1 x LED, green

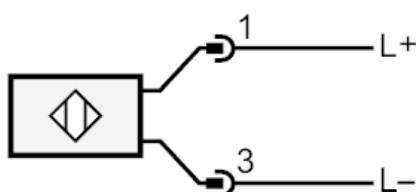
Remarks		
Remarks		operating voltage "supply class 2" according to cULus
Pack quantity		1 pcs.

Electrical connection

Connector: 1 x M8; coding: A



Connection



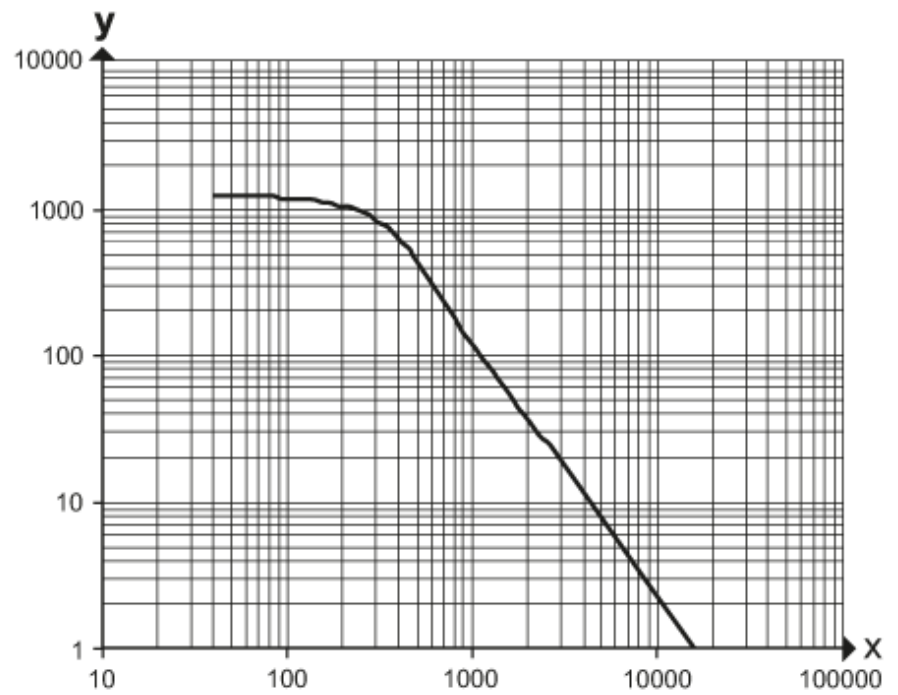


Through-beam sensor transmitter

O6S-00KG/AS/4P

Diagrams and graphs

excess gain graph



x: distance [mm]

y: excess gain factor