

Customer Information Sheet

DRAWING No.: Z208X-00

SHEET 2 OF 2

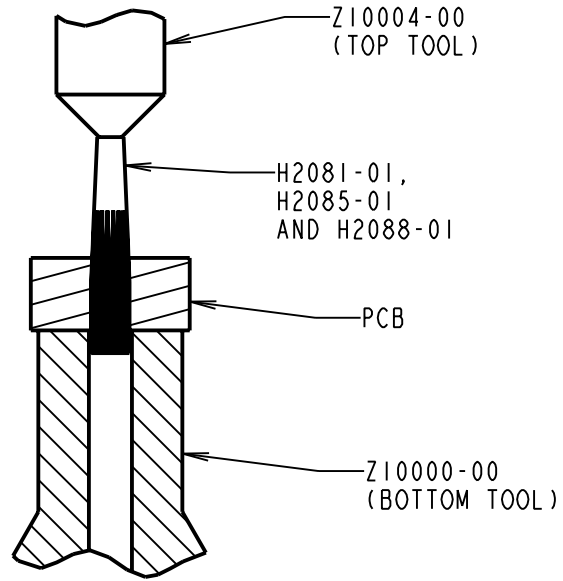
IF IN DOUBT - ASK

(C)

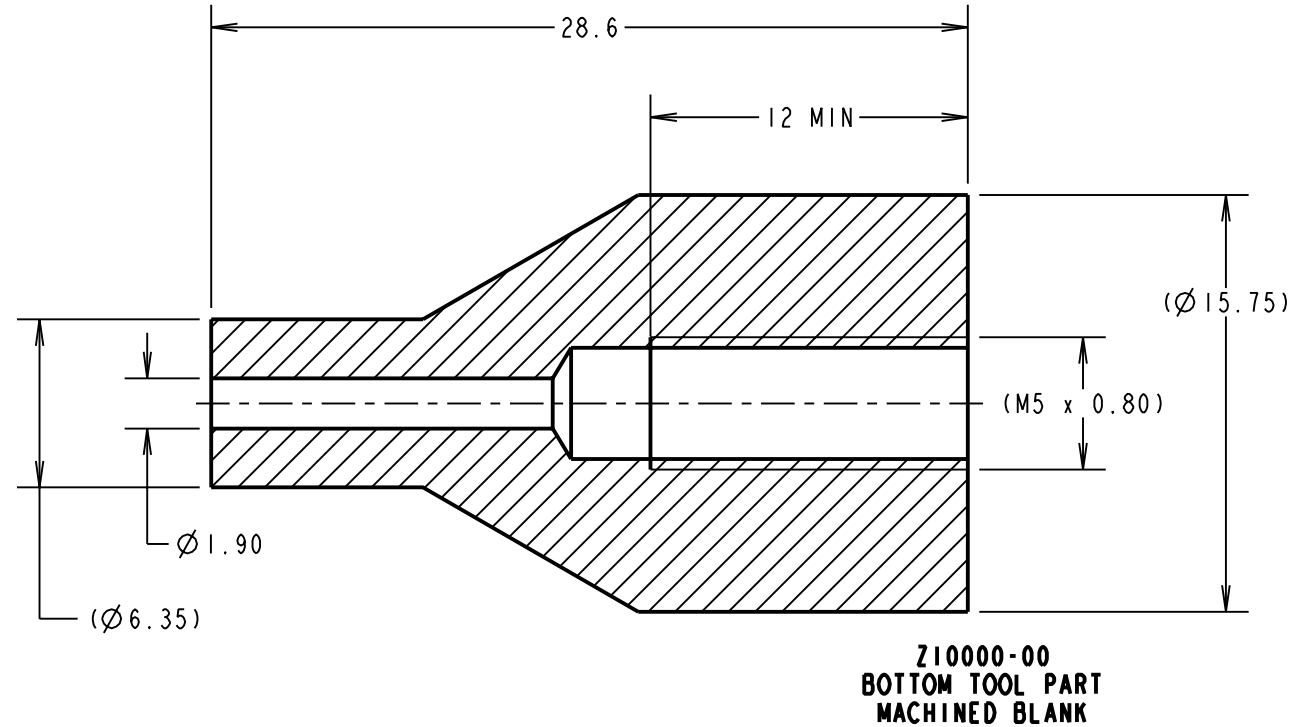
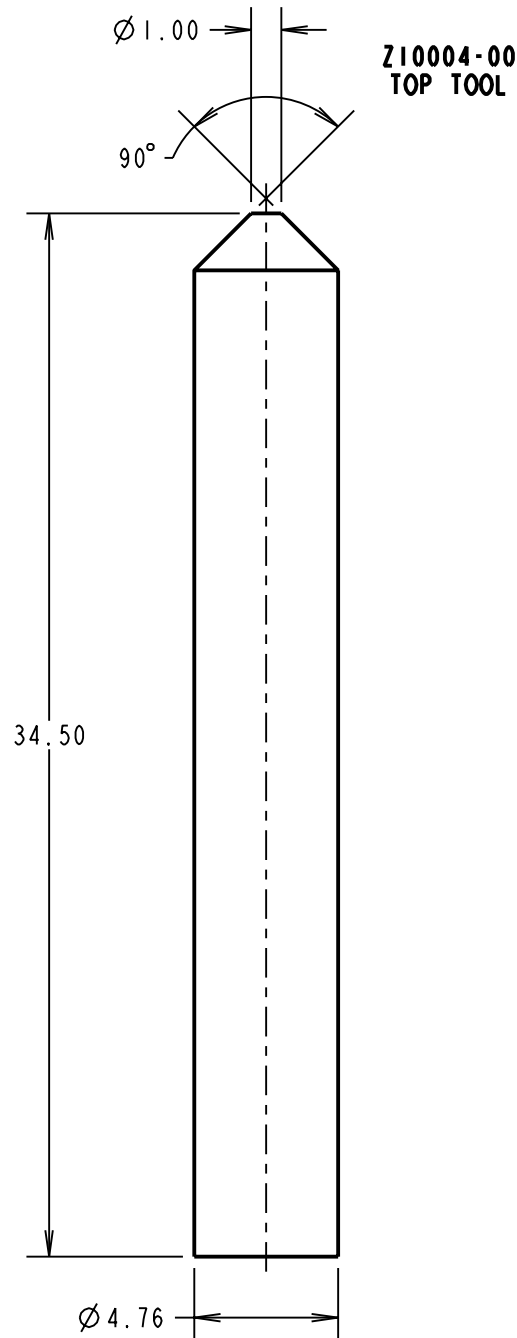
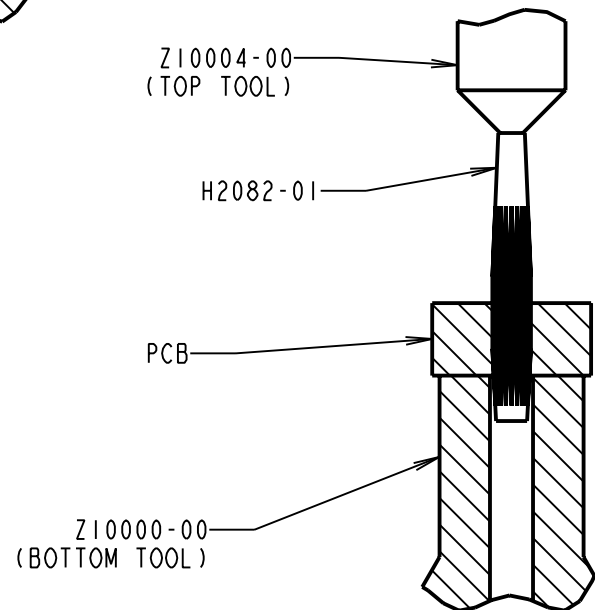
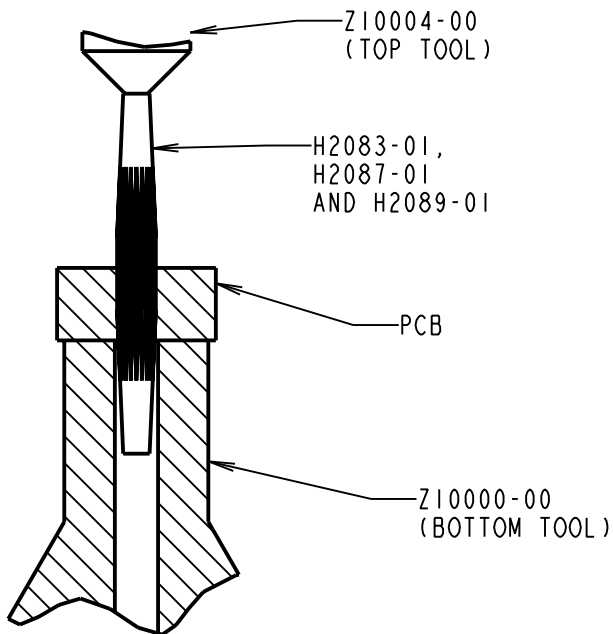
NOT TO SCALE

THIRD ANGLE PROJECTION

ALL DIMENSIONS IN mm



OPERATION DIAGRAMS



- NOTES:
- MUST BE USED WITH A BENCH PRESS OR OTHER FIXED TOOLING, TO ENSURE EVEN PRESSURE IS APPLIED TO THE HEAD OF THE TERMINAL.
 - TOP AND BOTTOM TOOLS ARE PACKED IN A BAG AS A KIT.

PART	H2081-01	H2082-01	H2083-01	H2085-01	H2087-01	H2088-01	H2089-01
PCB THICKNESS	3.20mm	3.20mm	3.20mm	2.40mm	2.40mm	1.60/ 2.40mm	2.40mm
PAPER BASED PCB HOLE SIZE	Ø 1.55	Ø 1.55	Ø 1.55	Ø 1.35	Ø 1.35	Ø 1.00	Ø 1.00
EPOXY-GLASS PANEL PCB HOLE SIZE	Ø 1.60	Ø 1.60	Ø 1.60	Ø 1.30	Ø 1.30	Ø 1.05	Ø 1.05

SB	3	20.04.11	11247
NAME	ISS.	DATE	C/NOTE
APPROVED:		S.BENNETT	
CHECKED:		S.FLOWER	
DRAWN:		R.ADDE	
CUSTOMER REF.:			
ASSEMBLY DRG:			

HARWIN			<p>THIS DRAWING AND ANY INFORMATION OR DESCRIPTIVE MATTER SET OUT HEREON ARE CONFIDENTIAL AND COPYRIGHT PROPERTY OF THE HARWIN GROUP AND MUST NOT BE DISCLOSED, LOANED, COPIED OR USED FOR MANUFACTURING, TENDERING OR FOR ANY OTHER PURPOSE WITHOUT THEIR WRITTEN PERMISSION.</p>	<p>TOLERANCES</p> <p>X. = ±1mm</p> <p>X.X = ±0.25mm</p> <p>X.XX = ±0.10mm</p> <p>X.XXX = ±0.01mm</p> <p>ANGLES = ±5°</p> <p>UNLESS STATED</p>	<p>MATERIAL:</p> <p>SILVER STEEL</p>	TITLE:		
<p>HARWIN USA</p> <p>TEL: 603 893 5376</p> <p>FAX: 603 893 5396</p> <p>mis@harwin.com</p>		<p>HARWIN Europe (UK)</p> <p>TEL: 023 9231 4545</p> <p>FAX: 023 9231 4590</p> <p>mis@harwin.co.uk</p>				<p>HARWIN Asia</p> <p>TEL: +65 6 779 4909</p> <p>FAX: +65 6 779 3868</p> <p>mis@harwin.com.sg</p>		<p>TOP AND BOTTOM TOOL SET</p>
			FINISH: SEE NOTE 2		DRAWING NUMBER:		SHT 2 OF 2	
			S/AREA: mm ²		Z208X-00			