

Type BLR-310-G

Fuse Block

10 Pole – Regular Auto Blade

With 12 Position Grounding Block



www.optifuse.com

(619) 593-5050

Specifications:

Max Voltage: 32VDC

Max Current Rating: 30A per Circuit - 100A Max Input

Fuse Type: Regular Auto Blade – APR, APN Series

Base: PBT

Cover: PC (Transparent)

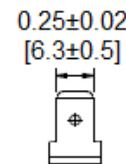
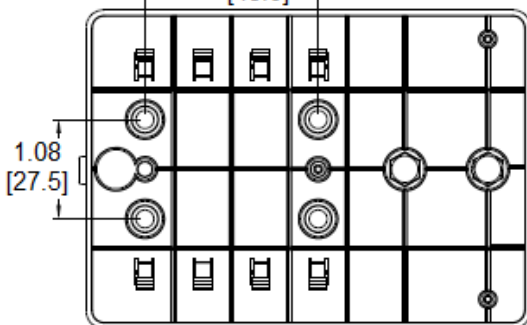
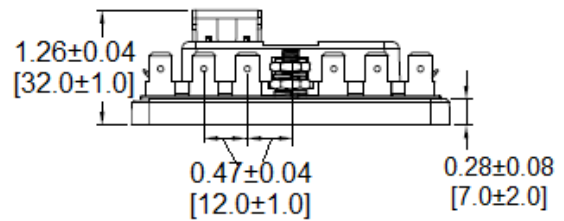
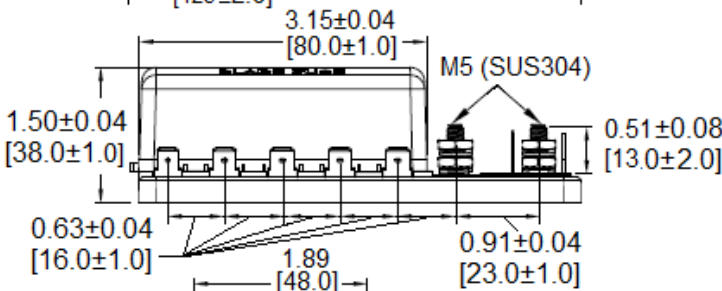
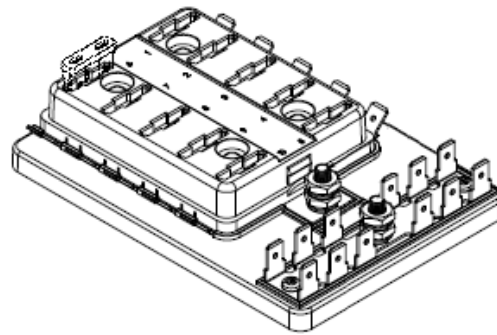
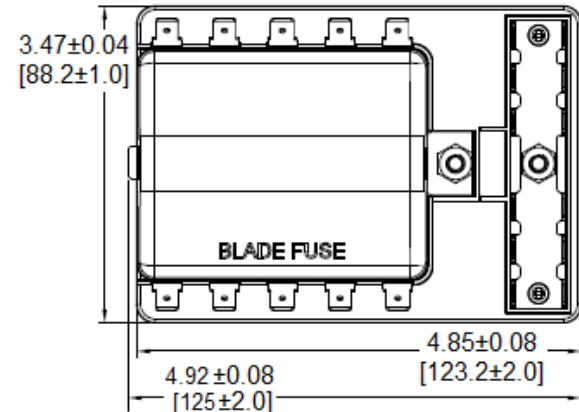
Load-side Connection: 0.250" Quick Connect Terminals - Copper, Tin plated

Line-side Connection: 2 each, M5 (SUS304) stud terminal with 2 hex nuts, flat washer, lock-washer

Mounting: 4 mounting holes for #10 screws (not provided)

Temperature Rating: -20° C ~ +85° C

Mechanical Dimensions: Inches [mm]



Warning:



-Operation beyond the specified maximum ratings or improper use may result in damage and possible electrical arcing and/or flame.

-Avoid contact of device with chemical solvent. Prolonged contact may damage the device performance.