

# IS31SE5100 8-CH CAPACITIVE TOUCH SENSOR

## DESCRIPTION

The IS31SE5100 is an ultra low power, fully integrated solution for capacitive touch applications with up to 8 surfaces. The chip allows electrodes to project sense fields through any dielectric such as glass or plastic. On-chip calibration logic continuously monitors the environment and automatically adjusts on-and-off threshold levels to prevent false sensor activation.

The IS31SE5100 is fully programmable via a 400kHz I2C serial bus protocol.

## FEATURES

- Supply voltage from 2.7V to 5.5V
- I2C interface, 1.8V/2.8V is allowed
- Auto offset compensation
- Fully integrated sense controller with eight capacitive touch inputs
- Interrupt driven output
- Adjustable sensitivity with external capacitor or by internal register
- Low power consumption
- ESD HBM 8kV
- IC controller in QFN-24 (4mm × 4mm)

## QUICK START



Figure 1: Photo of IS31SE5100 Evaluation Board

## RECOMMENDED EQUIPMENT

- 5.0V, 500mA power supply

## ABSOLUTE MAXIMUM RATINGS

- ≤ 5.5V power supply

**Caution: Do not exceed the conditions listed above, otherwise the board will be damaged.**

## PROCEDURE

The IS31SE5100 evaluation board is fully assembled and tested. Follow the steps listed below to verify board operation.

**Caution: Do not turn on the power supply until all connections are completed.**

- 1) Connect the ground lead of the power supply to the EVB GND terminal and the positive lead to the EVB VCC terminal. Or use the connector (DC IN) with a power adaptor: jack size 3.5mm x 1.35mm.
- 2) Turn on the power supply and pay attention to the supply current. If the current exceeds 100mA, please check for a circuit fault.

## EVALUATION BOARD OPERATION

This evaluation board is controlled by a pre-programmed P89LPC922 (80C51 core).

IS31SE5100 evaluation board has 8 touch surfaces designed on a 2mm thick acrylic board to induce a dielectric. Each touch surface has an associated LED that will light when the corresponding surface area is touched.

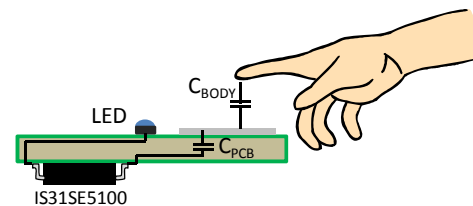


Figure 2: Capacitance Detection

The capacitance ( $C_{BODY}$ ) of an approaching finger increases as it approaches the sense area. The IS31SE5100 detects this increase in capacitance and turns on the associated LED.

## SOFTWARE SUPPORT

Please refer to the integrated program.

*Please refer to the datasheet for more information.*

# IS31SE5100 8-CH CAPACITIVE TOUCH SENSOR

## ORDERING INFORMATION

Part No.	Temperature Range	Package
IS31SE5100-QFLS2-EB	-40°C ~ +85°C (Industrial)	QFN-24, Lead-free

Table1: Ordering Information

For pricing, delivery, and ordering information, please contact Lumissil's analog marketing team at [analog@lumissil.com](mailto:analog@lumissil.com) or (408) 969-6600.

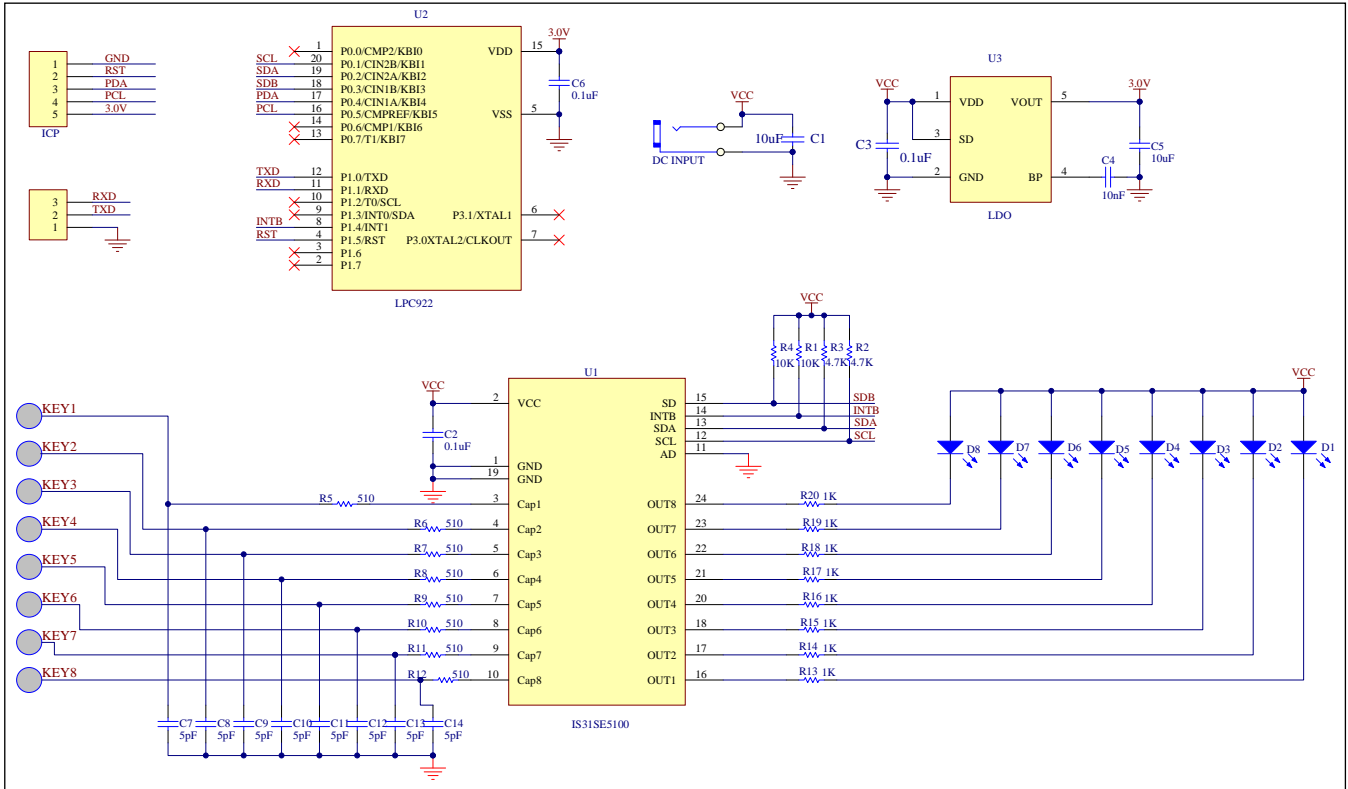


Figure 3: IS31SE5100 Application Schematic

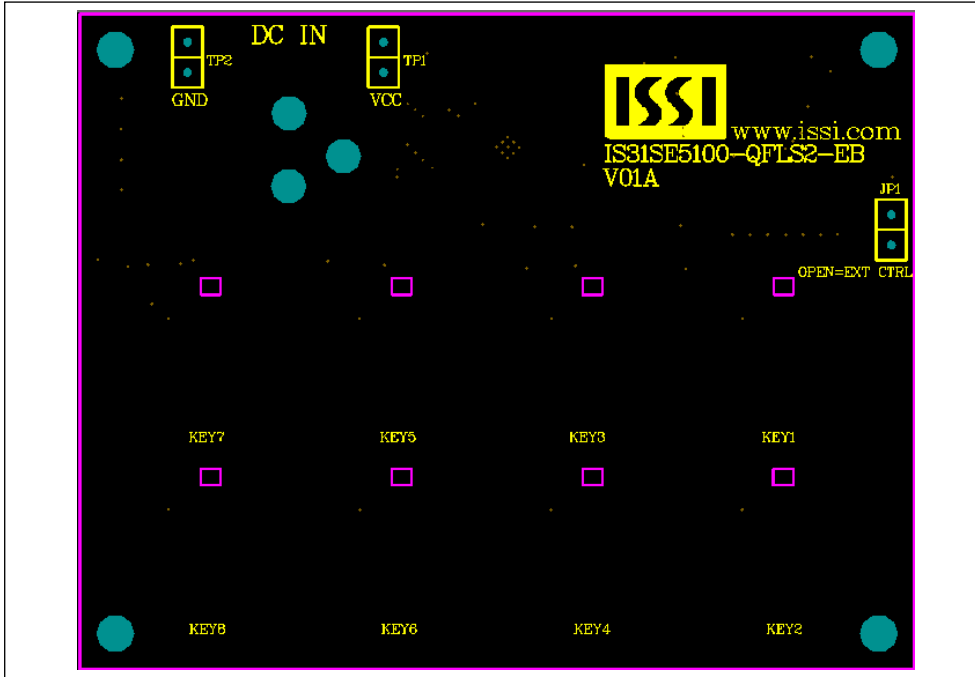
## IS31SE5100 8-CH CAPACITIVE TOUCH SENSOR

### Bill of Materials

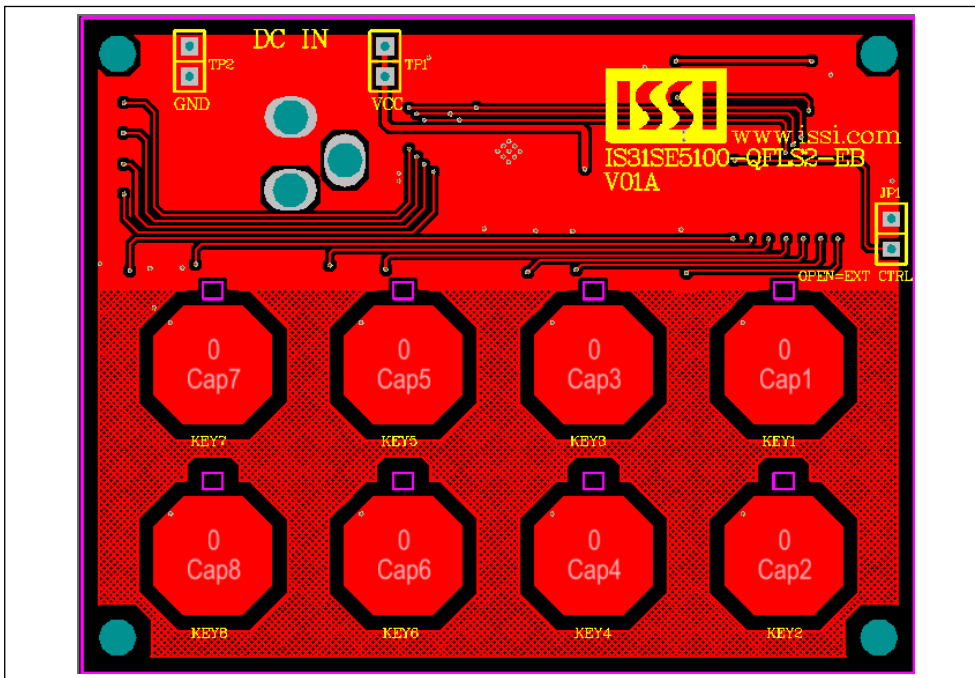
Name	Symbol	Description	Qty.	Supplier	Part No.
Touch Sensor	U1	Capacitive touch sensor	1	Lumissil	IS31SE5100
MCU	U2	Microcontroller	1	NXP	LPC922
LDO	U3	Low-dropout regulator	1	PAM	PAM3101
Diodes	D1~D8	Diode,LED blue,SMD	8	Everlight	19-217/BHC-ZL1M2 RY/3T
Resistors	R1,R4	RES,10k,1/16W,±5%,SMD	2		
Resistors	R2~R3	RES,4.7k,1/16W,±5%,SMD	2		
Resistors	R5~R12	RES,510,1/16W,±5%,SMD	8		
Resistors	R13~R20	RES,1k,1/16W,±5%,SMD	8		
Capacitors	C1,C5	CAP,10µF,16V,±20%,SMD	2		
Capacitors	C2,C3,C6	CAP, 0.1µF,16V,±20%,SMD	3		
Capacitor	C4	CAP,10nF,16V,±20%,SMD	1		

*Bill of Materials, refer to Figure 3 above.*

**IS31SE5100 8-CH CAPACITIVE TOUCH SENSOR**



*Figure 4: Board Component Placement Guide -Top Layer*



*Figure 5: Board PCB Layout- Top Layer*

# IS31SE5100 8-CH CAPACITIVE TOUCH SENSOR

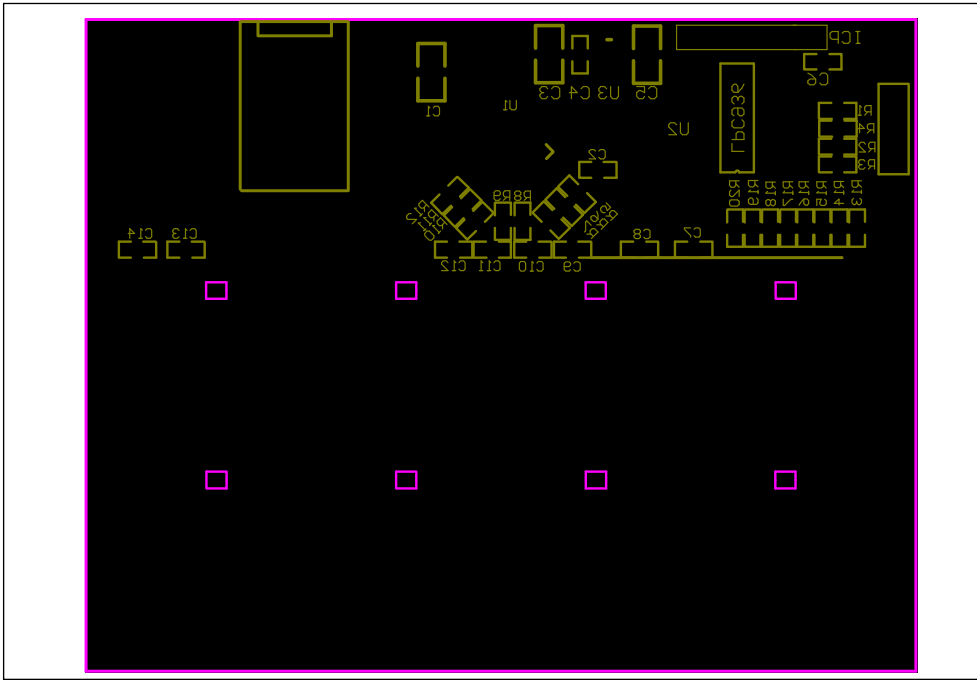


Figure 6: Board Component Placement Guide -Bottom Layer

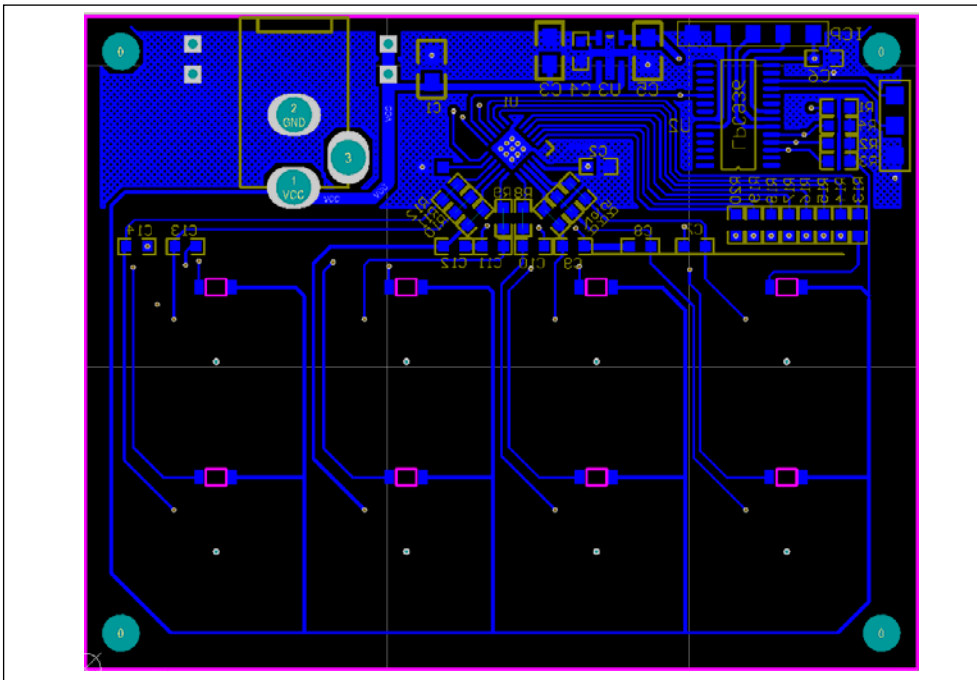


Figure 7: Board PCB Layout-Bottom Layer

Copyright © 2013 Lumissil Microsystems. All rights reserved. Lumissil Microsystems reserves the right to make changes to this specification and its products at any time without notice. Lumissil Microsystems assumes no liability arising out of the application or use of any information, products or services described herein. Customers are advised to obtain the latest version of this device specification before relying on any published information and before placing orders for products.

Lumissil Microsystems does not recommend the use of any of its products in life support applications where the failure or malfunction of the product can reasonably be expected to cause failure of the life support system or to significantly affect its safety or effectiveness. Products are not authorized for use in such applications unless Lumissil Microsystems receives written assurance to its satisfaction, that:

- a.) the risk of injury or damage has been minimized;
- b.) the user assume all such risks; and
- c.) potential liability of Lumissil Microsystems is adequately protected under the circumstances