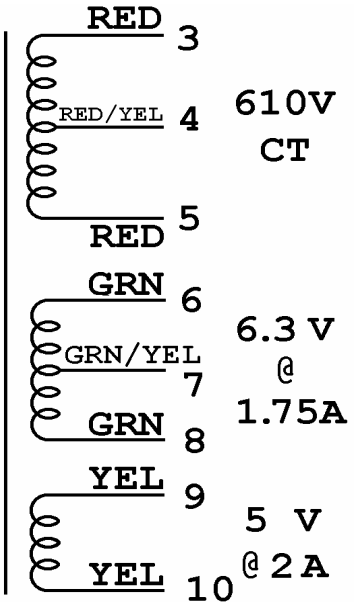
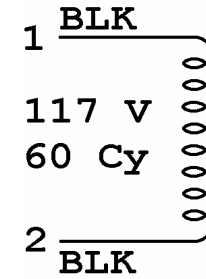
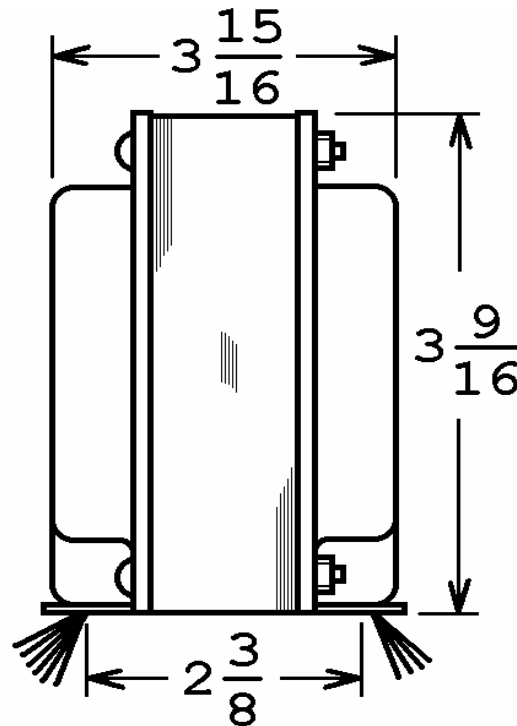


This drawing is the property of Magnetic Components, Inc. and shall not be reproduced, in whole or in part, without the written permission of Magnetic Components, Inc.

REVISIONS			
LTR	DESCRIPTION	DATE	APPROVED



$\frac{13}{64} \times \frac{3}{8}$  SLOT (4 PL)

VALCO :  
3693  
T-3693  
E-3693  
E-3693A

UNLESS OTHERWISE SPECIFIED	
ALL DIMENSIONS IN INCHES DO NOT SCALE DRAWING	
FRACTIONS +/-	
.X = +/-	
.XX = +/-	
.XXX = +/-	
ANGLES = +/-	

SIGNATURES		DATE
DRAWN : <i>MJF</i>		11 FEB 11
CHECK :		
APPR : <i>M. Lakota</i>		11 FEB 11

DRAWING No. : OOA-85372	
MAGNETIC COMPONENTS, INC.	
DIV : LOC : SCHILLER PK	
TITLE <b>POWER TRANSFORMER</b>	
CAGE 50508	SIZE <b>A</b>
PART No. <b>40-18062</b>	REV -
SCALE NONE	
SHEET :	