

RECOMMENDED PCB LAYOUT (THICKNESS: 1.6MM)
 DIMENSION TOLERANCE: 1 PLC: ±0.1 2PLC: ±0.05

- NOTE:
- MATERIAL:
 HOUSING: THERMOPLASTIC HIGH TEMP., UL94 V-0, COLOR: BLACK.
 CONTACT: PHOSPHOR BRONZE, H, THICKNESS: 0.35mm.
 SHELL: BRASS, THICKNESS: 0.25mm.
 - FINISH:
 CONTACT: GOLD PLATED (SEE TABLE) IN CONTACT AREA,
 GOLD FLASH ON SOLDER TAILS,
 50µ" MIN. NICKEL UNDERPLATED ALL OVER.
 SHELL: 20µ" MIN. NICKEL PLATED.
 - WAVE SOLDER CAPABLE TO 265°C PER 109-202,
 CONDITION B.

OBSOLETE	W/O	W/O	50µ"	1-1734712-4
			30µ"	1-1734712-3
			15µ"	1-1734712-2
	W/O	0.6mm	6µ"	1-1734712-1
			50µ"	1-1734712-4
			30µ"	1-1734712-3
			15µ"	1-1734712-2
			6µ"	1-1734712-1
	LED	POLARIZATION RIB THICKNESS	MIN. GOLD THICKNESS	PART NUMBER

THIS DRAWING IS A CONTROLLED DOCUMENT.

DIMENSIONS: MM TOLERANCES UNLESS OTHERWISE SPECIFIED:
 0 PLC ± -
 1 PLC ± 0.3
 2 PLC ± 0.2
 3 PLC ± 0.1
 4 PLC ANGLES ± - ± -

MATERIAL: SEE NOTE FINISH: SEE NOTE

DWN: O. HU 21MAR2006
 CHK: S. HOU 21MAR2006
 APVD: WJ. KE 21MAR2006

PRODUCT SPEC: 108-57535
 APPLICATION SPEC: -

WEIGHT: 4.5 GRAMS

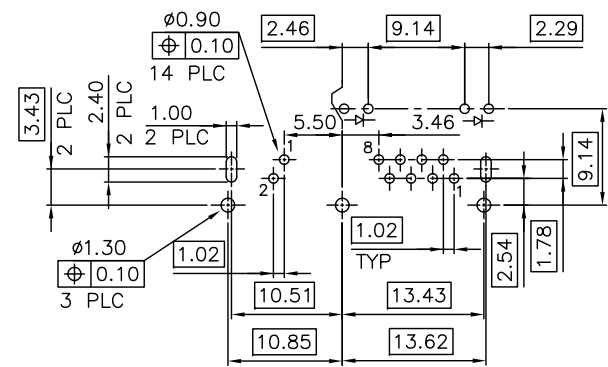
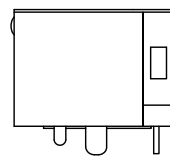
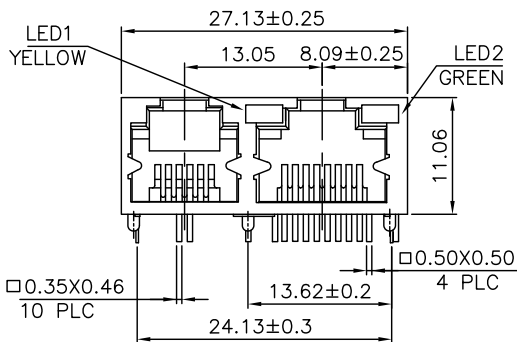
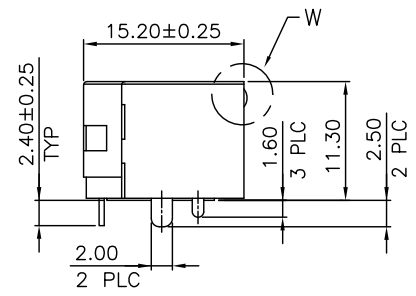
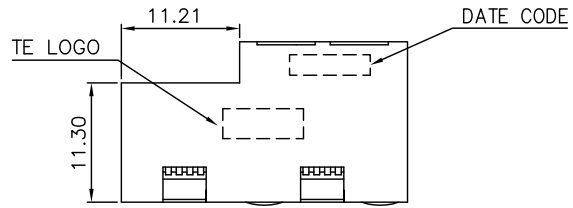
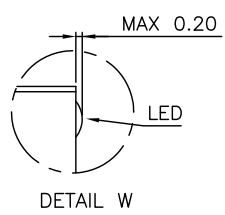
CUSTOMER DRAWING

NAME: MODULAR JACK, RJ45/RJ11, COMBO, DIP, SIDE ENTRY.

SIZE: A3 CAGE CODE: 00779 DRAWING NO: C-1734712 RESTRICTED TO: -

SCALE: - SHEET: 1 OF 4 REV: A2

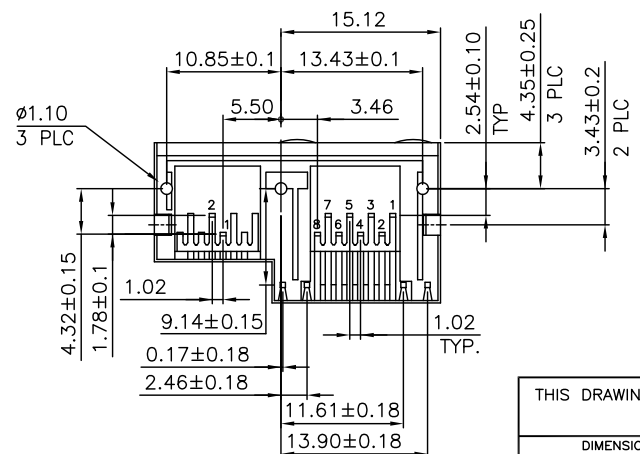
STE TE Connectivity



RECOMMENDED PCB LAYOUT (THICKNESS: 1.6MM)
 DIMENSION TOLERANCE: 1 PLC: ±0.1 2PLC: ±0.05

NOTE:

- MATERIAL:
 HOUSING: THERMOPLASTIC HIGH TEMP., UL94 V-0, COLOR: BLACK.
 CONTACT: PHOSPHOR BRONZE, THICKNESS: 0.35mm.
 SHELL: BRASS, THICKNESS: 0.25mm.
 LED LIGHT: EPOXY RESIN, THICKNESS: 0.50X0.50mm.
- FINISH:
 CONTACT: GOLD PLATED (SEE TABLE) IN CONTACT AREA,
 GOLD FLASH ON SOLDER TAILS,
 50u" MIN. NICKEL UNDERPLATED ALL OVER.
 SHELL: 20u" MIN. NICKEL PLATED.
- LED MUST BE REFLOW COMPATIBLE TO FOLLOWING TEMPERATURE PROFILE (FOR 1 CYCLE): ABOVE 160°C FOR 120 SECONDS, PEAKING AT 245°C FOR 20~40 SECONDS.
- LED DEFECT RATE IS 6000 PPM MAX. AFTER IR REFLOW PROCESS AS NOTE 3.
- WAVE SOLDER CAPABLE TO 265°C PER 109-202, CONDITION B.



OBSOLETE	W/	50μ"	2-1734712-4
		30μ"	2-1734712-3
		15μ"	2-1734712-2
OBSOLETE		6μ"	2-1734712-1
	LED	MIN. GOLD THICKNESS	PART NUMBER

THIS DRAWING IS A CONTROLLED DOCUMENT.

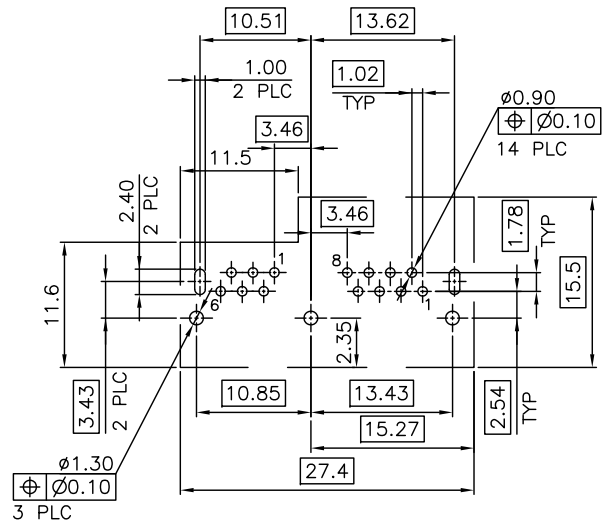
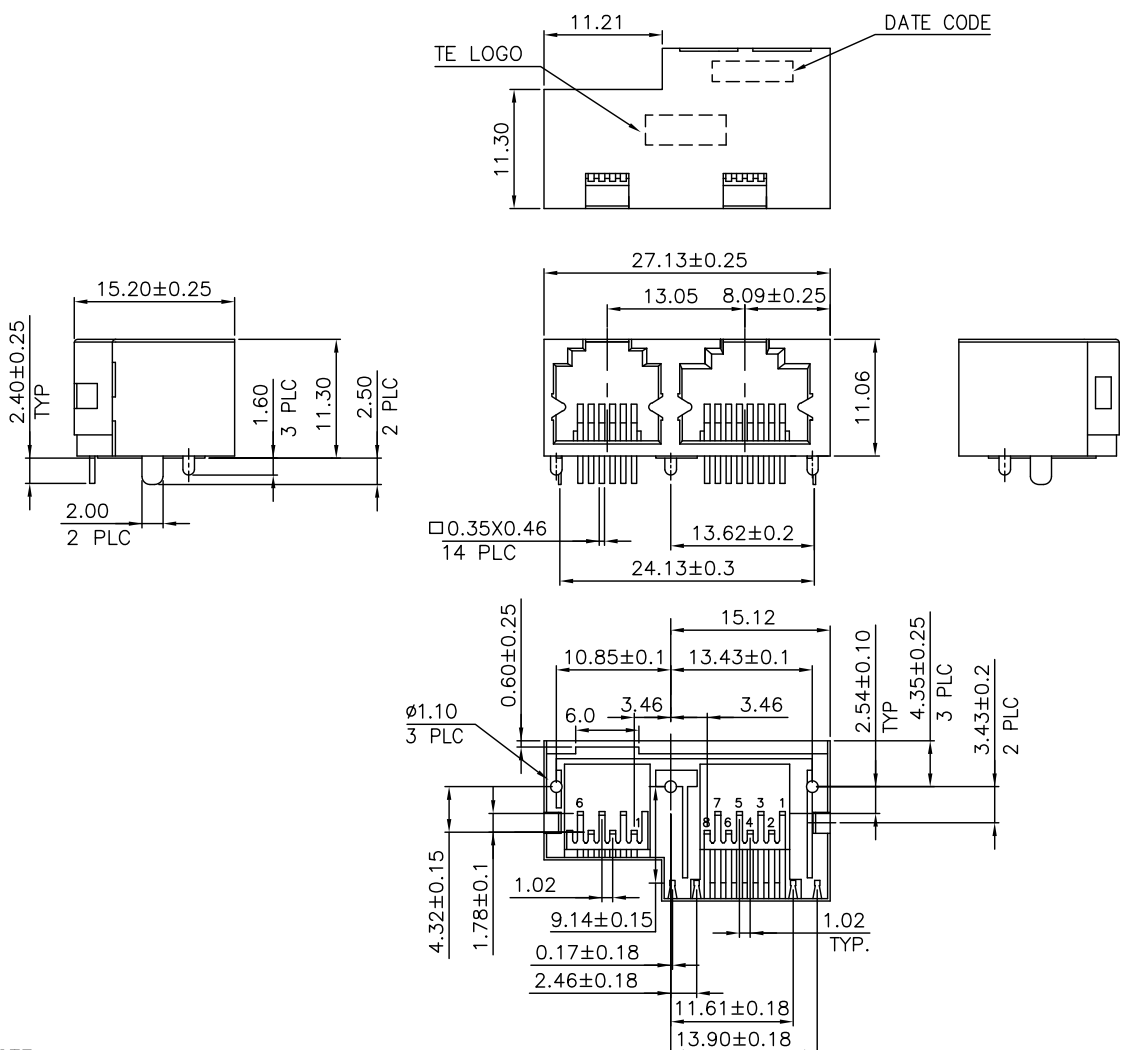
DIMENSIONS: MM	TOLERANCES UNLESS OTHERWISE SPECIFIED:	DWN	CHK	APVD	NAME
	0 PLC ± - 1 PLC ± 0.3 2 PLC ± 0.2 3 PLC ± 0.1 4 PLC ± - ANGLES ± ±	-	-	-	-
MATERIAL	FINISH	PRODUCT SPEC	APPLICATION SPEC	WEIGHT	SIZE
SEE NOTE	SEE NOTE	-	-	-	A3

STE TE Connectivity

MODULAR JACK, RJ45/RJ11, COMBO, DIP, SIDE ENTRY.

00779 ©=1734712

CUSTOMER DRAWING SCALE - SHEET 2 of 4 REV A2



RECOMMENDED PCB LAYOUT (THICKNESS: 1.6MM)
 DIMENSION TOLERANCE: 1 PLC: ±0.1 2PLC: ±0.05

- NOTE:
- MATERIAL:
 HOUSING: THERMOPLASTIC HIGH TEMP., UL94 V-0, COLOR: BLACK.
 CONTACT: PHOSPHOR BRONZE, H, THICKNESS: 0.35mm.
 SHELL: BRASS, THICKNESS: 0.25mm.
 - FINISH:
 CONTACT: GOLD PLATED (SEE TABLE) IN CONTACT AREA,
 GOLD FLASH ON SOLDER TAILS,
 50u" MIN. NICKEL UNDERPLATED ALL OVER.
 SHELL: 20u" MIN. NICKEL PLATED.
 - WAVE SOLDER CAPABLE TO 265°C PER 109-202,
 CONDITION B.

OBSOLETE	W/O	6P6C	50μ"	3-1734712-4
			30μ"	3-1734712-3
			15μ"	3-1734712-2
			6μ"	3-1734712-1
LED	RJ11	MIN. GOLD THICKNESS	PART NUMBER	

THIS DRAWING IS A CONTROLLED DOCUMENT.

DIMENSIONS: MM TOLERANCES UNLESS OTHERWISE SPECIFIED:

0 PLC	± -
1 PLC	± 0.3
2 PLC	± 0.2
3 PLC	± 0.1
4 PLC ANGLES	± -

MATERIAL: SEE NOTE FINISH: SEE NOTE

STE TE Connectivity

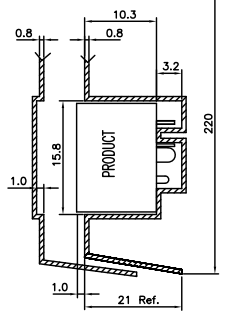
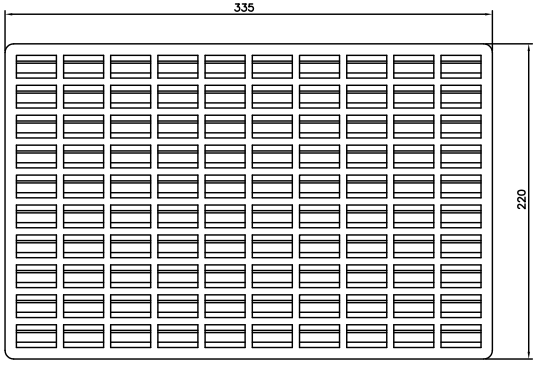
MODULAR JACK, RJ45/RJ11, COMBO, DIP, SIDE ENTRY.

SIZE: A3 CAGE CODE: 00779 DRAWING NO: 1734712 RESTRICTED TO: -

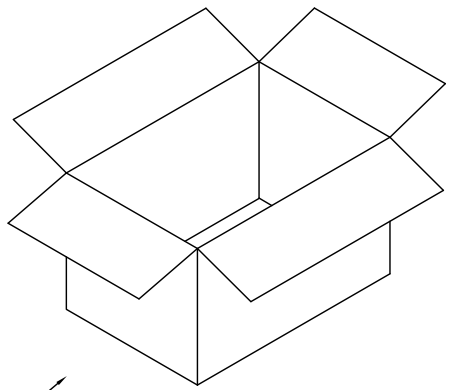
CUSTOMER DRAWING SCALE: - SHEET: 3 of 4 REV: A2

THIS DRAWING IS UNPUBLISHED. RELEASED FOR PUBLICATION
 © COPYRIGHT 2013 BY TE CONNECTIVITY. ALL RIGHTS RESERVED.

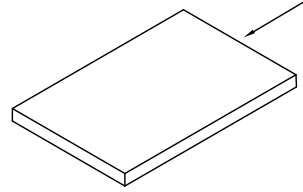
LOC	DIST	REVISIONS					
DW	-	P	LTR	DESCRIPTION	DATE	DWN	APVD
				SEE SHEET 1			



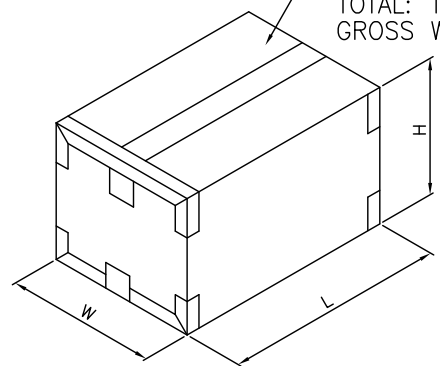
NOTE: 1. MATERIAL: PET T: 0.8mm.



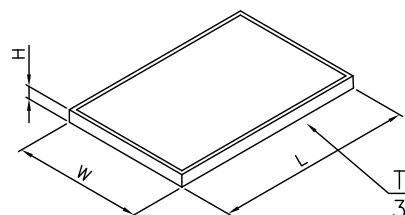
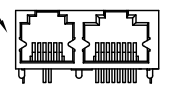
TOP COVER
(ONLY FOR TOP TRAY)



CARTON
 345mm(L)X235mm(W)X195mm(H)
 11 TRAY/CARTON
 TOTAL: 1100 PCS
 GROSS WEIGHT: 7Kg



MODULAR JACK



TRAY
 335mm(L)X220mm(W)X21mm(H)
 100 PCS/TRAY

THIS DRAWING IS A CONTROLLED DOCUMENT.		DWN	-	TE Connectivity MODULAR JACK, RJ45/RJ11, COMBO, DIP, SIDE ENTRY.			
DIMENSIONS: MM		CHK	-			NAME	
TOLERANCES UNLESS OTHERWISE SPECIFIED:		APVD	-			PRODUCT SPEC	
0 PLC ± - 1 PLC ± - 2 PLC ± - 3 PLC ± - 4 PLC ± - ANGLES ± -		APPLICATION SPEC	-			SIZE	
MATERIAL	FINISH	WEIGHT	-	CAGE CODE	DRAWING NO	RESTRICTED TO	
				A3	00779	©=1734712	-
CUSTOMER DRAWING				SCALE	SHEET	4 of 4	REV
							A2