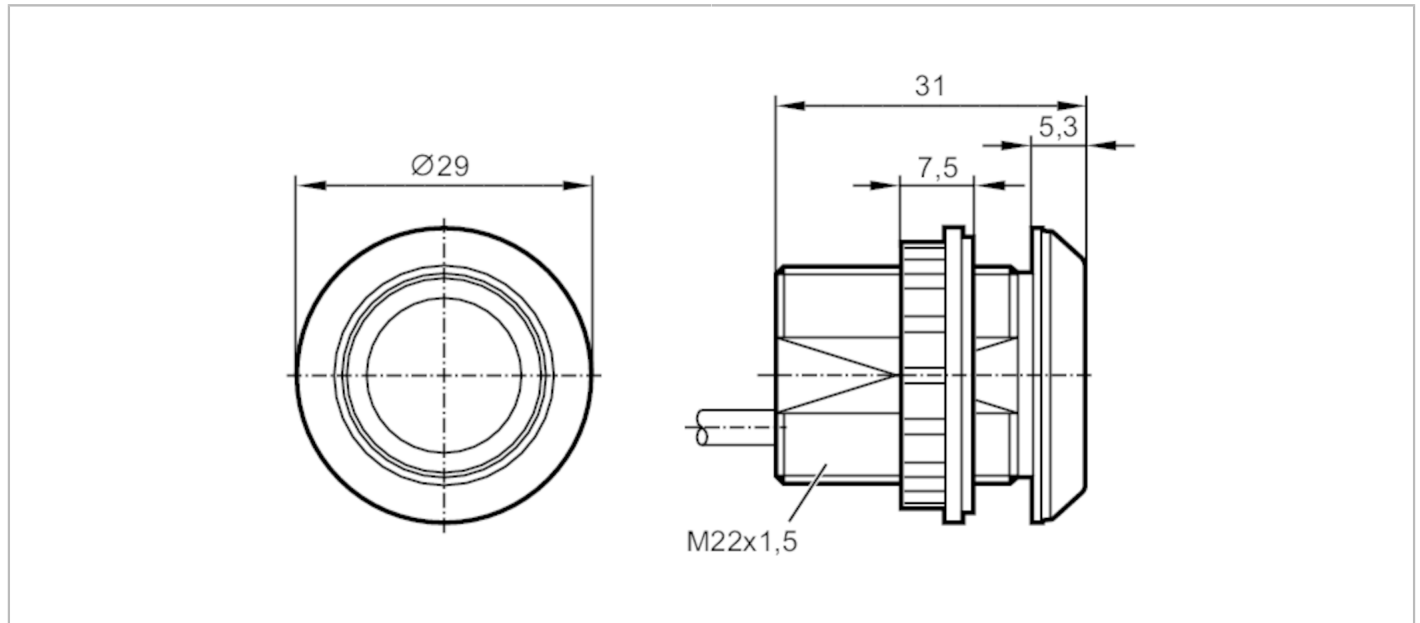


# KT5150



## Capacitive illuminated pushbutton

KTMBF-KRGBPKG/2M



Product characteristics		
Electrical design		PNP
Output function		normally open
Dimensions	[mm]	Ø 29 / L = 31
Application		
Operating principle		bistable
Electrical data		
Operating voltage	[V]	12...30 DC
Current consumption	[mA]	30
Protection class		III
Reverse polarity protection		yes
Max. power-on delay time	[ms]	500
Outputs		
Electrical design		PNP
Output function		normally open
Permanent current rating of switching output DC	[mA]	200
Short-circuit protection		yes
Overload protection		yes
Response times		
Response time	[ms]	35
Operating conditions		
Ambient temperature	[°C]	-40...85
Protection		IP 65; IP 67; IP 69K; (on the front)
Tests / approvals		
EMC		IEC 61000-4

# KT5150



## Capacitive illuminated pushbutton

KTMBF-KRGBPKG/2M

Mechanical data		
Weight	[g]	99
Dimensions	[mm]	Ø 29 / L = 31
Materials		PA 6.6-GF30 black; active face: PA Grilamid TR 90UV

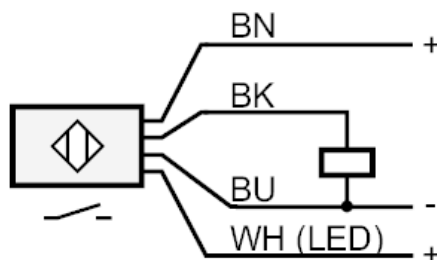
Displays / operating elements		
Display	switching status	1 x LED, green
	function	1 x LED, red can be triggered

Accessories		
Items supplied		lock nuts: 1
		Gasket: 1
Accessories (optional)		symbol disc

Remarks		
Pack quantity		1 pcs.

Electrical connection		
Cable: 2 m, PUR		

### Connection



	Core colours :
BK =	black
BN =	brown
BU =	blue
WH =	white