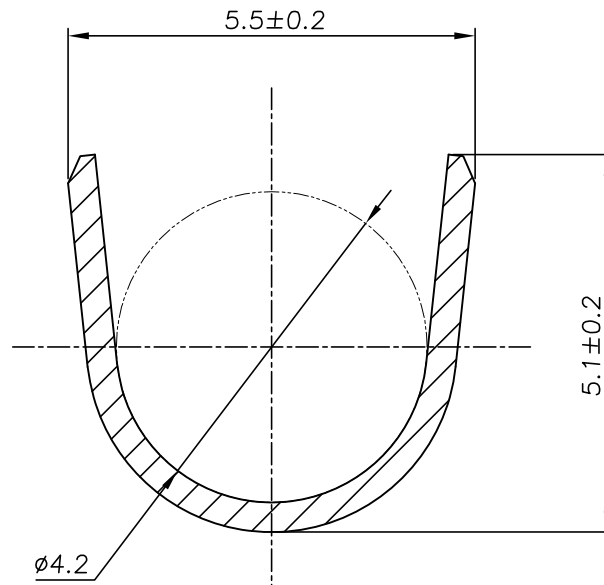
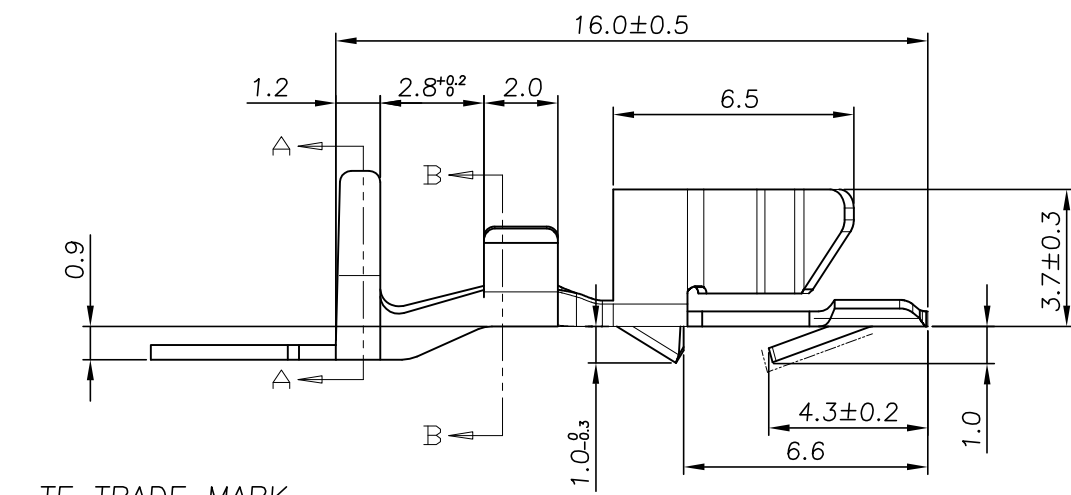
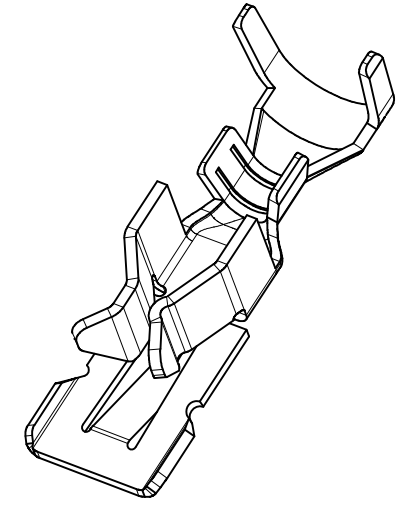
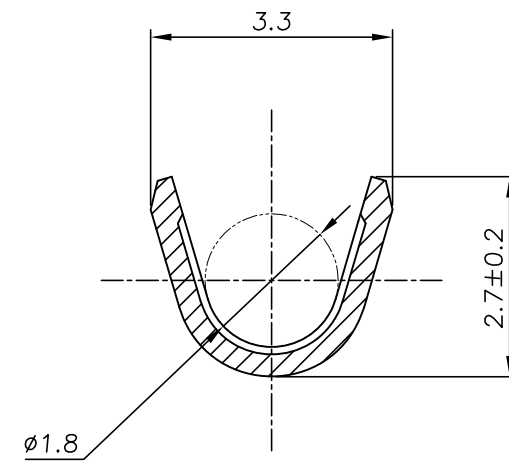
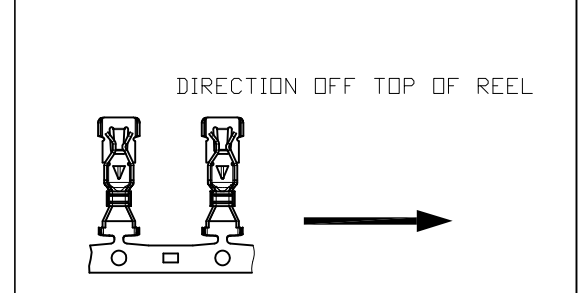
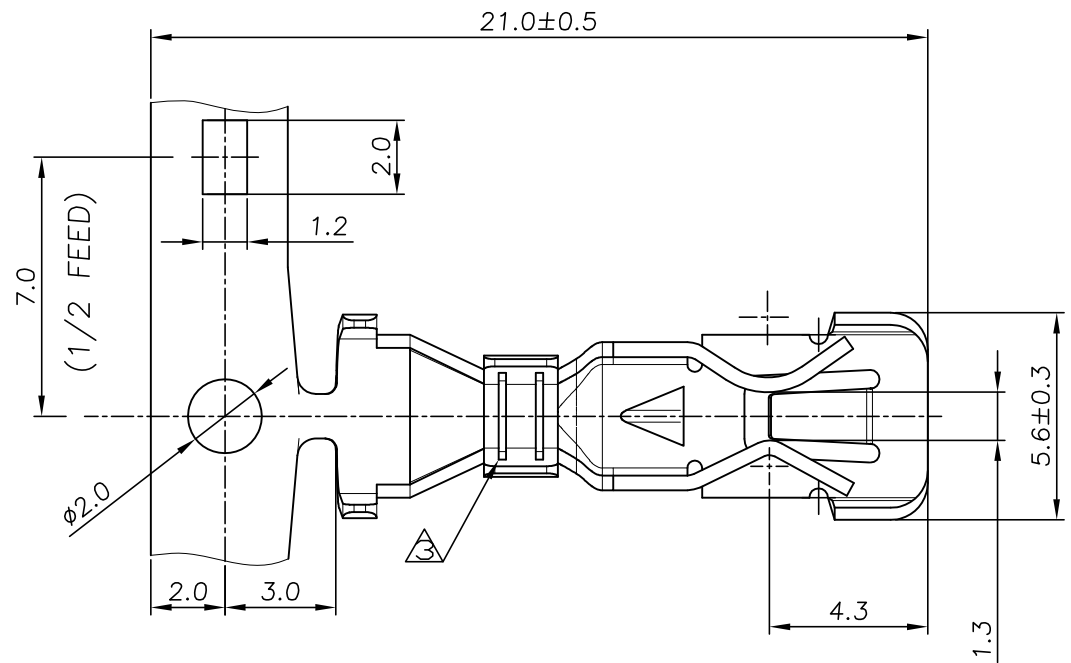


4

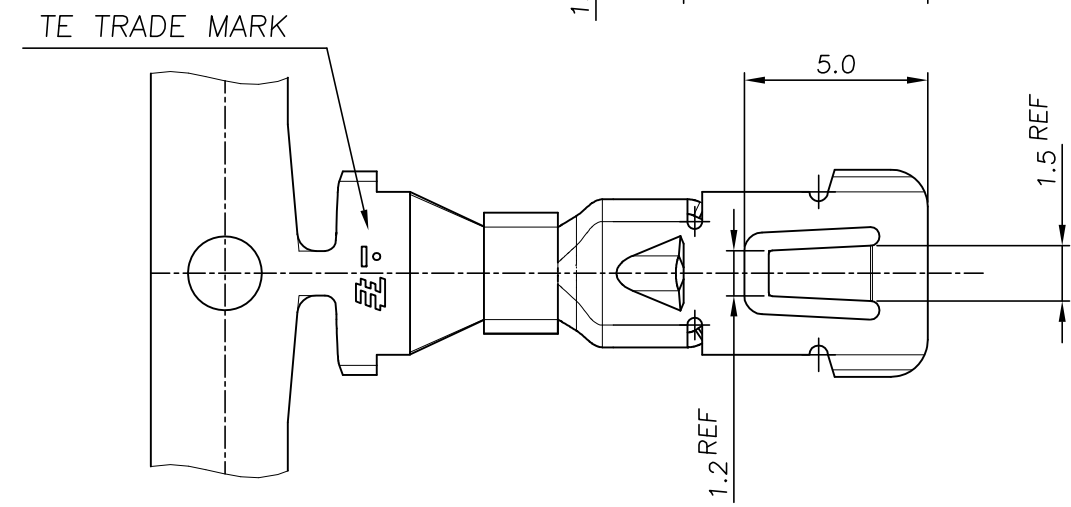
3

THIS DRAWING IS UNPUBLISHED. RELEASED FOR PUBLICATION
© COPYRIGHT BY TYCO ELECTRONICS CORPORATION, ALL RIGHTS RESERVED.

LOC	DIST	REVISIONS					
		P	LTR	DESCRIPTION	DATE	DWN	APVD
DS			A	RELEASED	26, JUN, 09	DR.	HG



NOTE
 1. GENERAL TOLERANCE : ±0.3, ±2°
 2. WIRE SIZE AVS 0.5mm²
 3. TWO SERRATIONS CENTERED IN WIRE BARREL.



FINISH		Cu Alloy 0.40THK.		2005207-1	
MATERIAL		MATERIAL		PART NUMBER	
DWN : DR. GOD		Tyco Electronics		Tyco Electronics Kyungsan, Korea	
CHK : JW JUNG		NAME		C200/NB7 B/SOCKET TML	
APVD : HG CHO		PRODUCT SPEC		---	
DIMENSIONS: mm		APPLICATION SPEC		---	
TOLERANCES UNLESS OTHERWISE SPECIFIED:		WEIGHT		---	
0 PLC ±		SIZE		A3	
1 PLC ±		CAGE CODE		00779	
2 PLC ±		DRAWING NO		C- 2005207	
3 PLC ±		RESTRICTED TO			
4 PLC ±		SCALE		5/1	
ANGLES ±		SHEET		1 OF 1	
FINISH		REV		A	
MATERIAL		CUSTOMER DRAWING			
SEE TABLE					

D

D

C

B

A

A