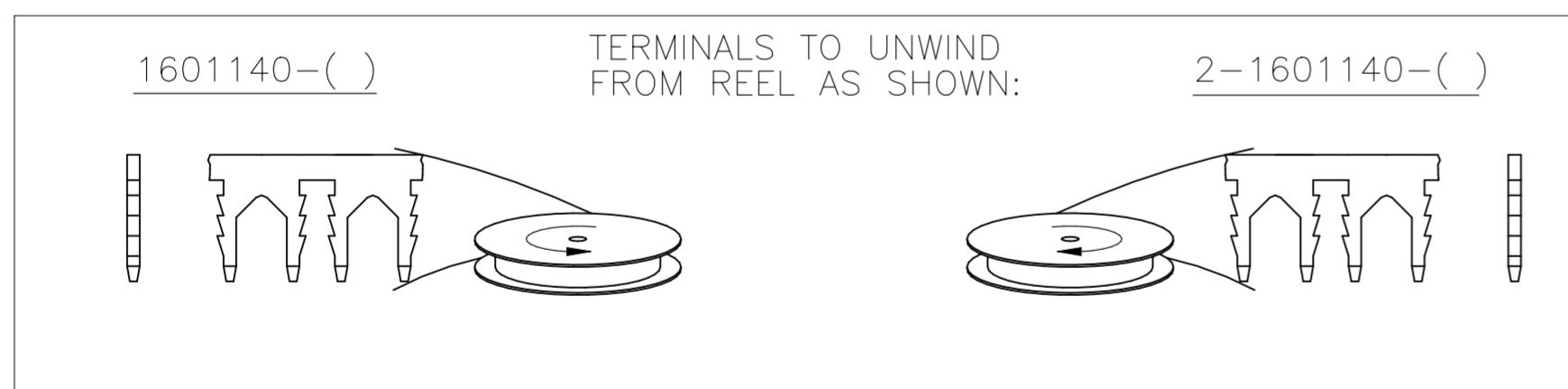
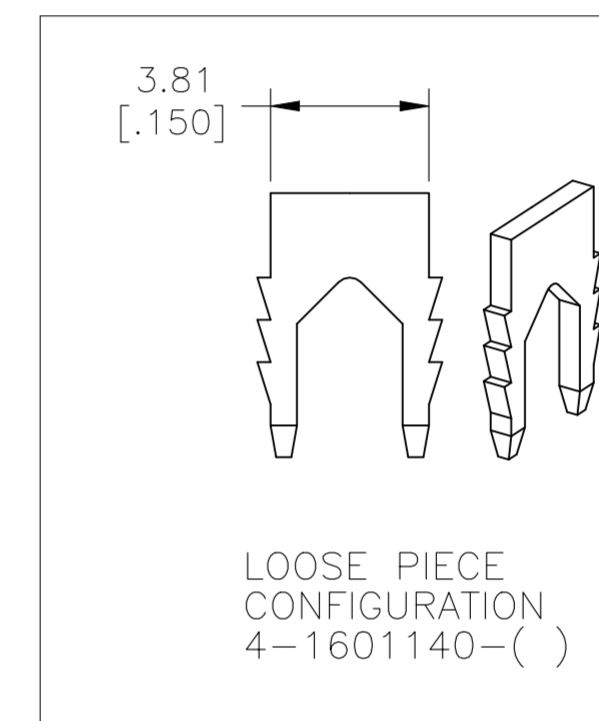
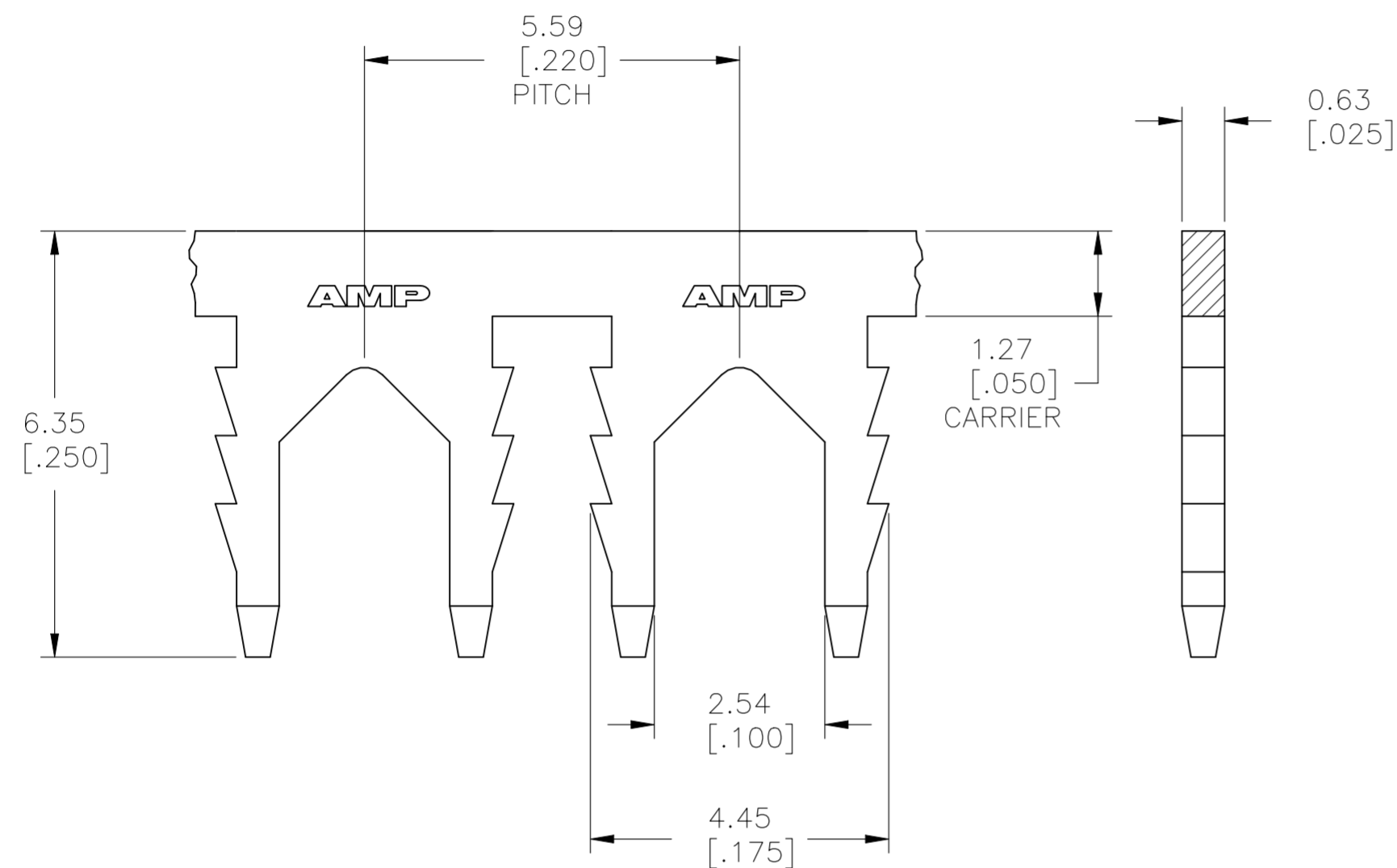


REVISIONS					
P	LTR	DESCRIPTION	DATE	DWN	APVD
C4		ADDED 1601140-2 TO PARTS TABLE	05JAN2021	MB	TD

- SPECIFICATIONS:  
LEAD WIRE #18 - #22 AWG, (0.8mm<sup>2</sup>-0.3mm<sup>2</sup>)  
INSULATED LEAD WIRE.  
MAX INSULATION O.D. 2.9mm(.115").  
OTHER SIZES MAY BE ACCOMMODATED,  
CONSULT TYCO ELECTRONICS FOR APPROVAL.
- POCKET RECOMMENDATION: #1601421
- STRAIN RELIEF APPLICATION TO COMPLY WITH  
TYCO ELECTRONICS SPECIFICATION 114-13166, FIG 3



-	-	-
POST PLATED NICKEL	-	1601140-2
POST PLATED NICKEL	-	4-1601140-2
UNPLATED	053-001-000	4-1601140-1
UNPLATED	153-004-000	2-1601140-1
UNPLATED	153-001-000	1601140-1
FINISH	REFERENCE PART NUMBER	PART NUMBER
THIS DRAWING IS A CONTROLLED DOCUMENT.		DWN J.WELLER 11JAN2002
DIMENSIONS: mm [INCHES]		CHK M.FEHER 11JAN2002
TOLERANCES UNLESS OTHERWISE SPECIFIED:		APVD K.RANDOLPH 11JAN2002
0 PLC ± -		NAME
1 PLC ± 0.25[.010]		PRODUCT SPEC
2 PLC ± 0.13[.005]		APPLICATION SPEC
3 PLC ± -		3
4 PLC ± -		SIZE
ANGLES ± 2°		CAGE CODE
MATERIAL	FINISH	DRAWING NO
BRASS, SPRING HARD	SEE TABLE	A2 00779
WEIGHT		RESTRICTED TO
0.000000		-
CUSTOMER DRAWING		SCALE
		11:1
		SHEET
		1 OF 1
		REV
		C4