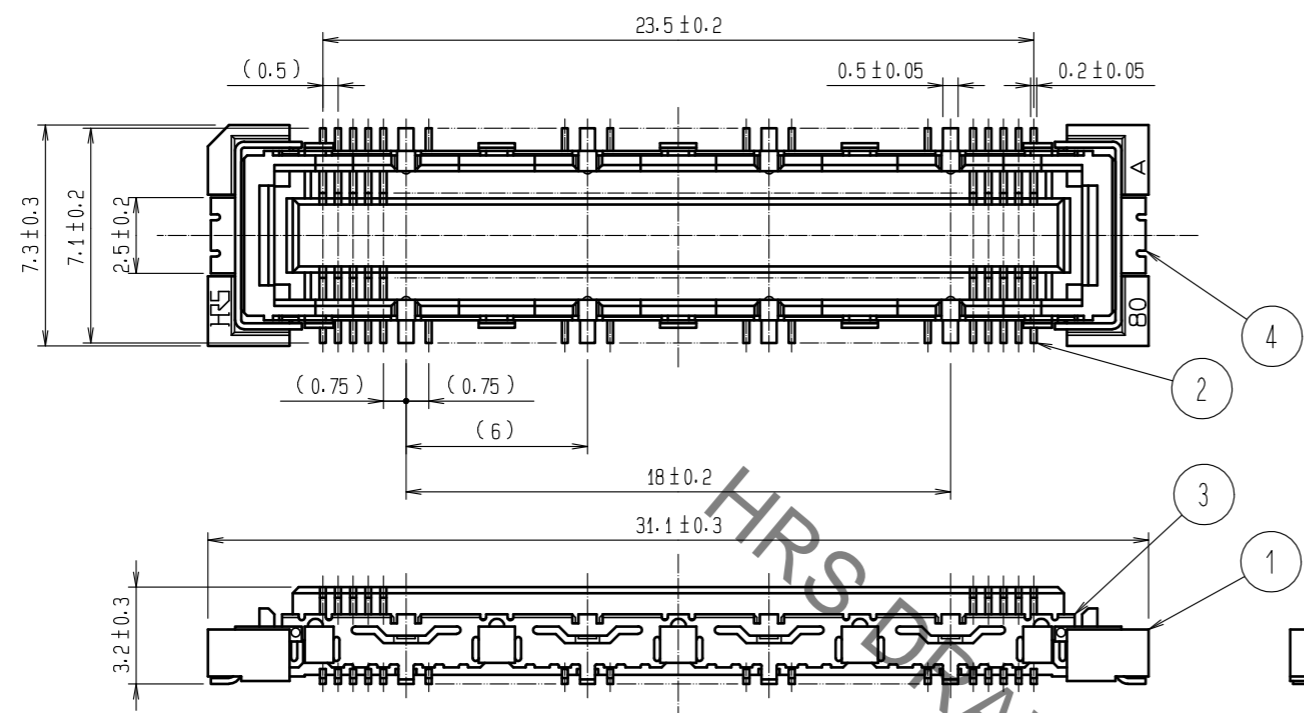
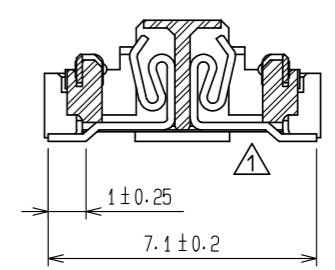


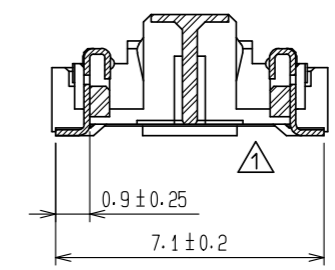
May.1.2023 Copyright 2023 HIROSE ELECTRIC CO., LTD. All Rights Reserved.  
In case of consideration for using Automotive equipment / device which demand high reliability, kindly contact our sales window correspondents.



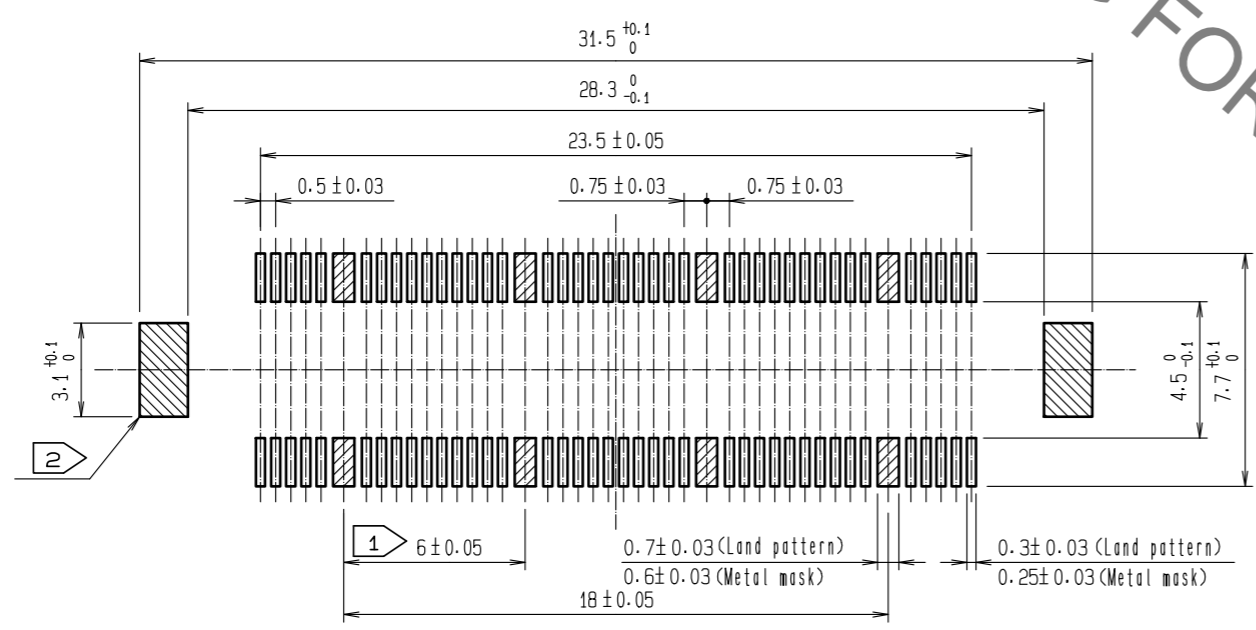
Cross cut section - signal (5:1)



Cross cut section - ground (5:1)



Recommended land pattern dimension of PCB  
(Recommended metal mask thickness : 0.15mm)  $\triangle$

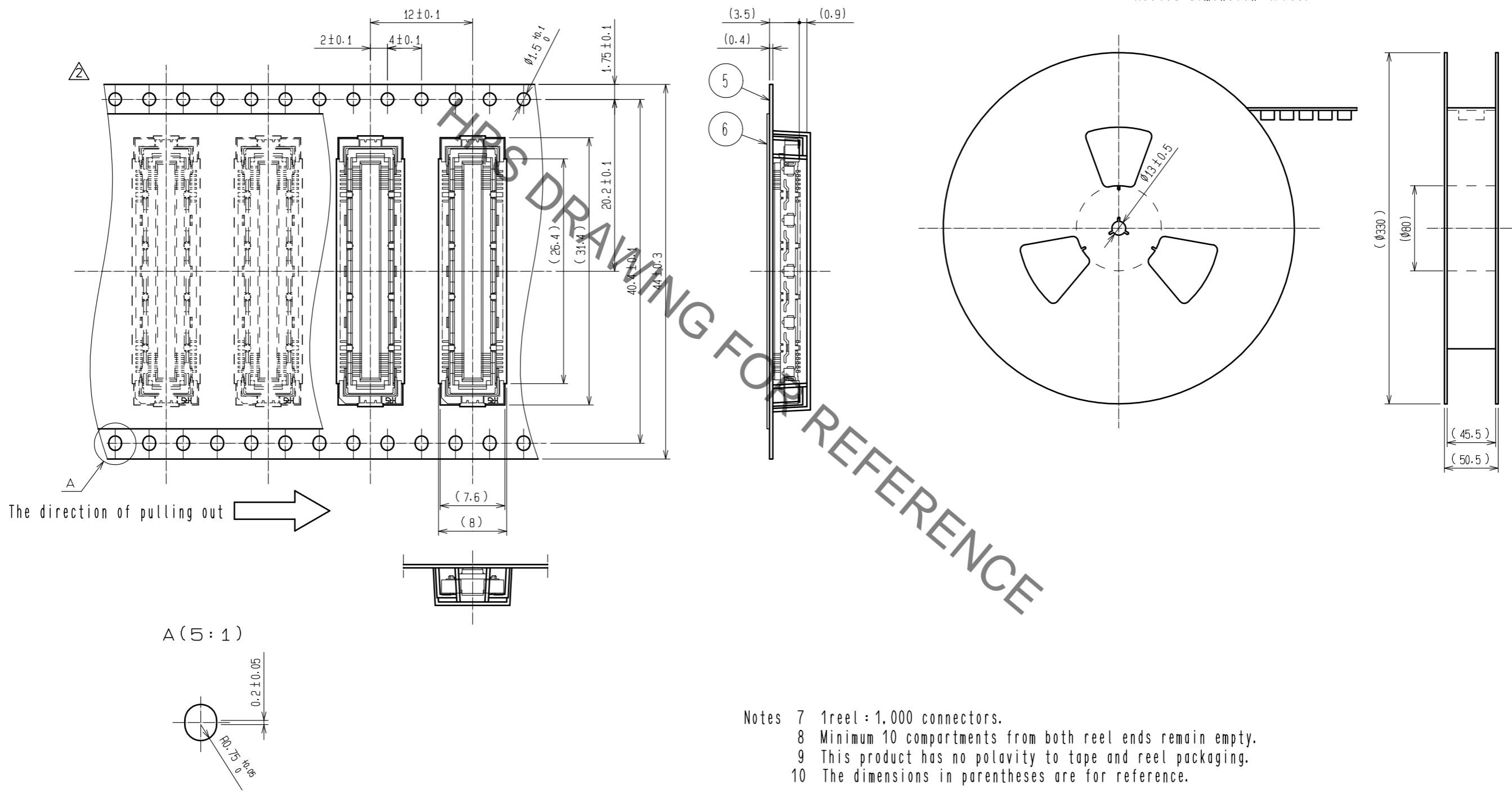


- Notes
- 1  $\triangle$  8 hatched parts : ground circuit.
  - 2  $\square$  2 hatched parts : ground circuit.
  - 3 SMT lead - coplanarity : 0.1 max.
  - 4 This product has no polarity to pattern for mounting.
  - 5 Emboss carrier tape package is applied on this product. Please refer to the sheet 2/2 for the details.
  - 6 The dimensions in parentheses are for reference.

2	Phosphor blonze	Contact area : Gold 0.1 $\mu$ m min	6	Polyester	(Top cover tape)
		Lead area : Gold 0.05 $\mu$ m min	5	Polyethylene	(Emboss carrier tape)
		Under plating : Nickel 1 $\mu$ m min	4	Phosphor blonze	Tin - plating
1	LCP	Beige UL94V-0	3	Phosphor blonze	Tin - plating
NO.	MATERIAL	FINISH . REMARKS	NO.	MATERIAL	FINISH . REMARKS
UNITS mm		SCALE 4 : 1	COUNT $\triangle$ 1	DESCRIPTION OF REVISIONS DIS-F-00011032	
		DESIGNED MT. ITANO	CHECKED HT. YAMAGUCHI	DATE 20211007	
<b>HRS</b> HIROSE ELECTRIC CO., LTD.		APPROVED : HS. OKAWA 20071015	DRAWING NO. EDC3-151980-26		
		CHECKED : HS. OZAWA 20071015	PART NO. FX10B-80S/8-SV(91)		
		DESIGNED : SY. KAMIGA 20071015	CODE NO. CL0570-0221-1-91		
		DRAWN : HK. SUNADORI 20071012	$\triangle$ 1/2		

May.1.2023 Copyright 2023 HIROSE ELECTRIC CO., LTD. All Rights Reserved.  
 In case of consideration for using Automotive equipment / device which demand high reliability, kindly contact our sales window correspondents.

Drawing for packing (2:1)



- Notes
- 7 1reel : 1.000 connectors.
  - 8 Minimum 10 compartments from both reel ends remain empty.
  - 9 This product has no polavity to tape and reel packaging.
  - 10 The dimensions in parentheses are for reference.

<b>HRS</b>	DRAWING NO.	EDC3-151980-26
	PART NO.	FX10B-80S/8-SV(91)
	CODE NO.	CL0570-0221-1-91
		2/2