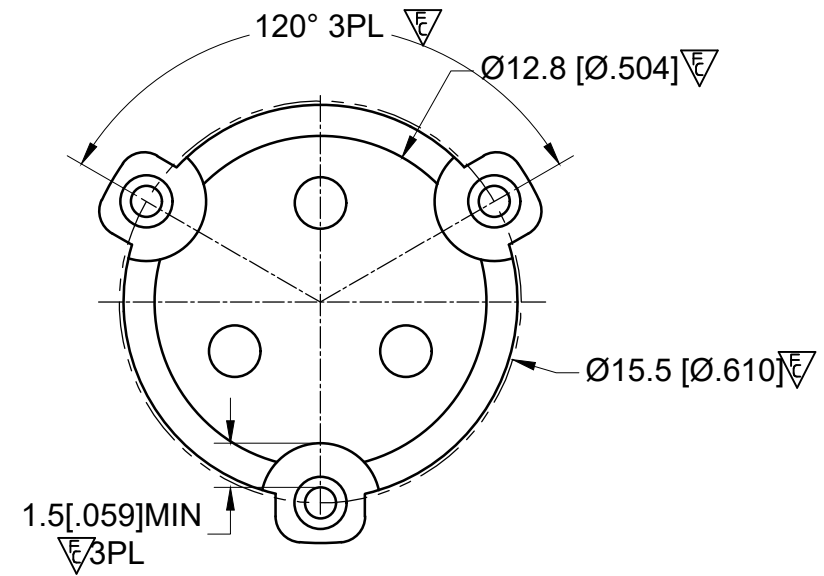
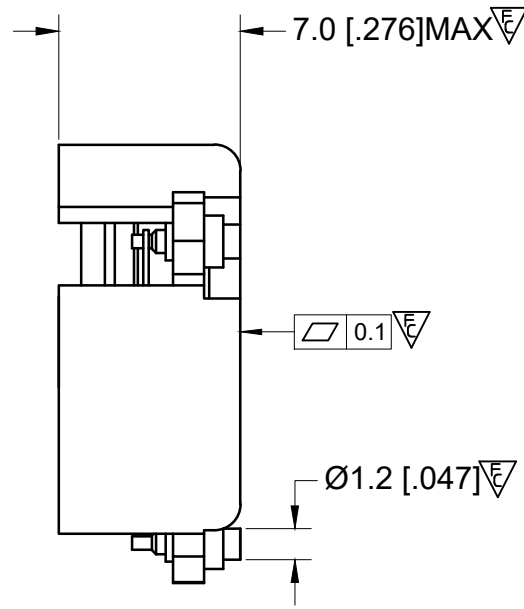
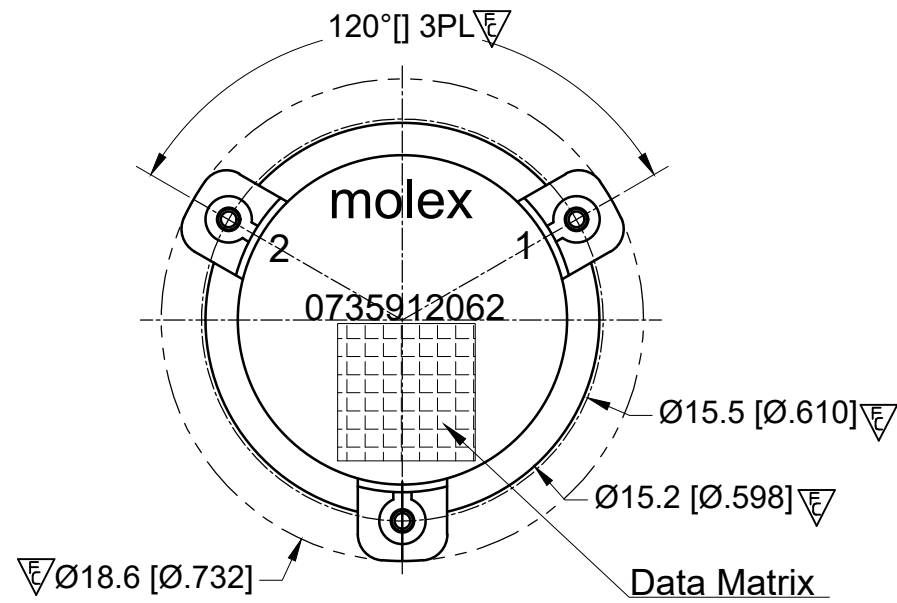
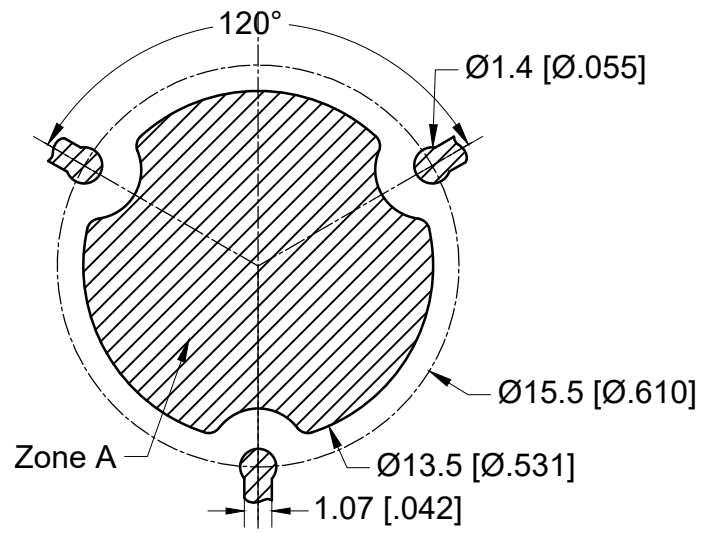
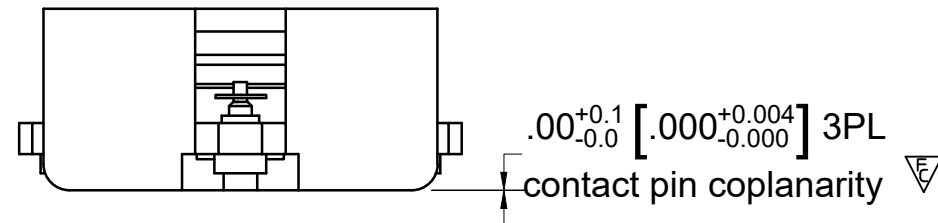


**RECOMMENDED LAND PATTERN :**

Zone A must be attached to heat sink. Thermal conductivity of intermediate layers between Zone A and heat sink must be better than 0.1 W / [°C x mm].



PCB Material :Rogers RO4350B,0.508mm thickness  
trace width 1.07mm wide.



**ELECTRICAL SPECIFICATIONS :**

- Frequency Range : 3400~3600 MHz
- Isolation : 20 dB min.
- Return Loss : 23 dB min.
- Insertion Loss : 0.25dB max.
- Attenuation (2 x TX) : 20 dB min
- (3 x TX) : 7 dB min
- (N x TX) : 5 dB min

Average FE/REV Power :100 W(CW) max

Peak Power :1000 W max

IM3(50W x 2 tones, 5M) : -65 dBc max

Harmonics (2 x TX @ 100W CW) : 60 dBc min

(3 x TX @ 100W CW) : 60 dBc min

Operating temperature range : -40 to +115°C

Storage temperature range : -40 to +125°C

Direction : CCW

**MATERIAL :**

BODY : STEEL, SILVER PLATED

PIN : COPPER , SILVER PLATED

**NOTES :**

- 1.STANDARD INPUT/OUTPUT IMPEDANCE 50 Ohm
- 2.LEAD FREE, NO Nd MATERIAL, BeO FREE
- 3.THE DIMENSION OF DATA MATRIX IS 5.3X5.3MM INFORMATION INCLUDING WORK ORDER NUMBER-SERIAL NUMBER-MATERIAL NUMBER
- 4.THIS PART COMPLIES WITH ALL RoHS REQUIREMENTS

**ENG PART#: 812-340-360-WP040**

FUNCTIONAL SYMBOLS	THIS DRAWING CONTAINS INFORMATION THAT IS PROPRIETARY TO MOLEX ELECTRONIC TECHNOLOGIES, LLC AND SHOULD NOT BE USED WITHOUT WRITTEN PERMISSION									
	DIMENSION UNITS		SCALE		CURRENT REV DESC:					
MM		1:1		RELEASE TO PROD						
GENERAL TOLERANCES (UNLESS SPECIFIED)										EC NO: 696580 DRWN: SREN05 2022/02/21 CHK'D: JLI252 2022/02/23 APPR: HWANG186 2022/03/01
DIVISIONAL SYMBOLS										
4 PLACES ±0.25 ±----		mm		INCH		DOCUMENT NUMBER: 735912062 DOC TYPE: PSD DOC PART: 000 REVISION: A				
3 PLACES ±0.05 ±----		mm		INCH		RESTRICTED PRODUCT CUSTOMER DRAWING				
2 PLACES ±0.13 ±----		mm		INCH		MATERIAL NUMBER: 0735912062 CUSTOMER: CUSTOM PART				
1 PLACE ±0.25 ±----		mm		INCH		SHEET NUMBER: 1 OF 1				
0 PLACES ±0.4 ±----		mm		INCH		DRAFT WHERE APPLICABLE MUST REMAIN WITHIN DIMENSIONS				
ANGULAR TOL ± 1.5 °		mm		INCH		THIRD ANGLE PROJECTION				
DRAFT WHERE APPLICABLE MUST REMAIN WITHIN DIMENSIONS		mm		INCH		DRAWING: A3-SIZE SERIES: 73591				