

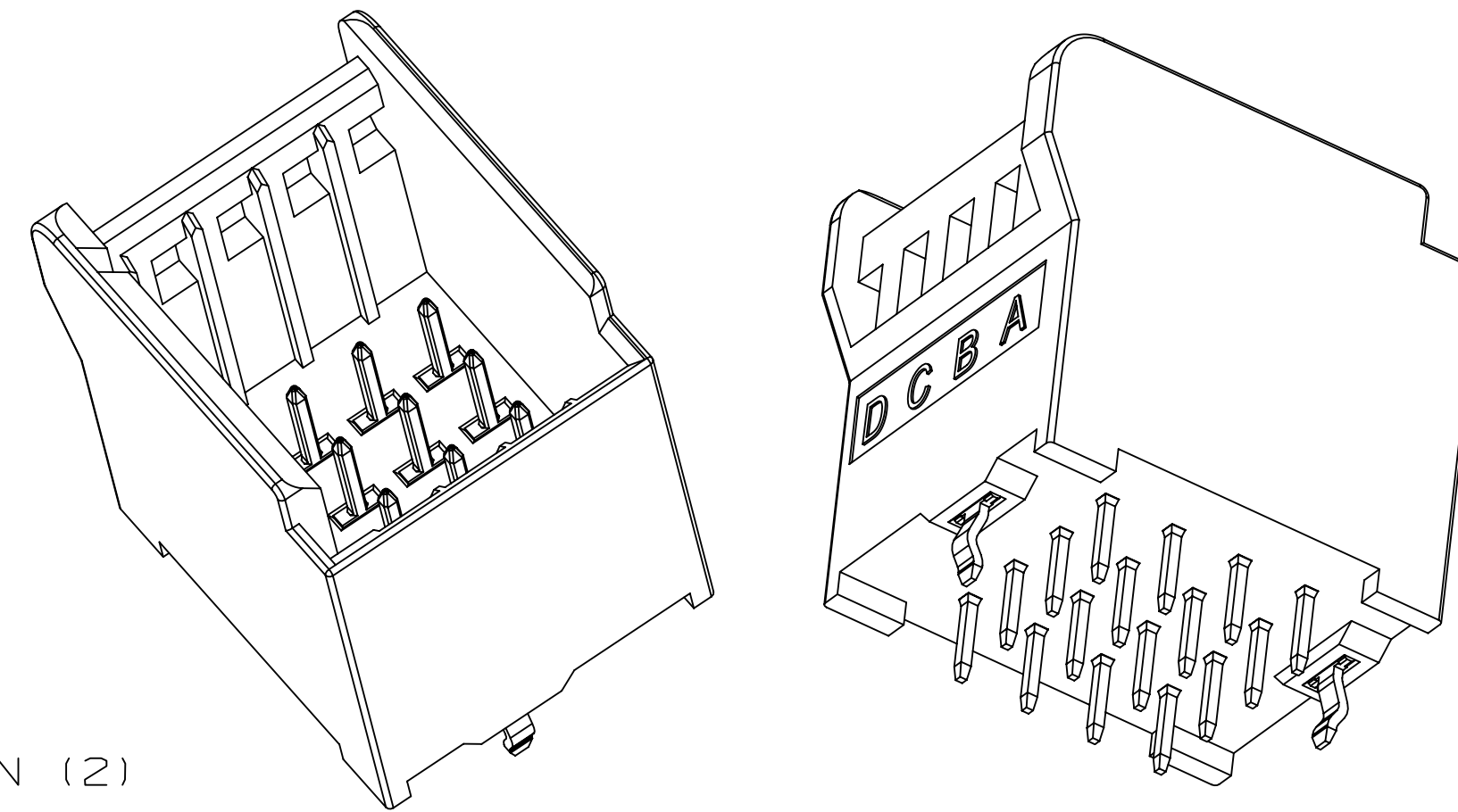
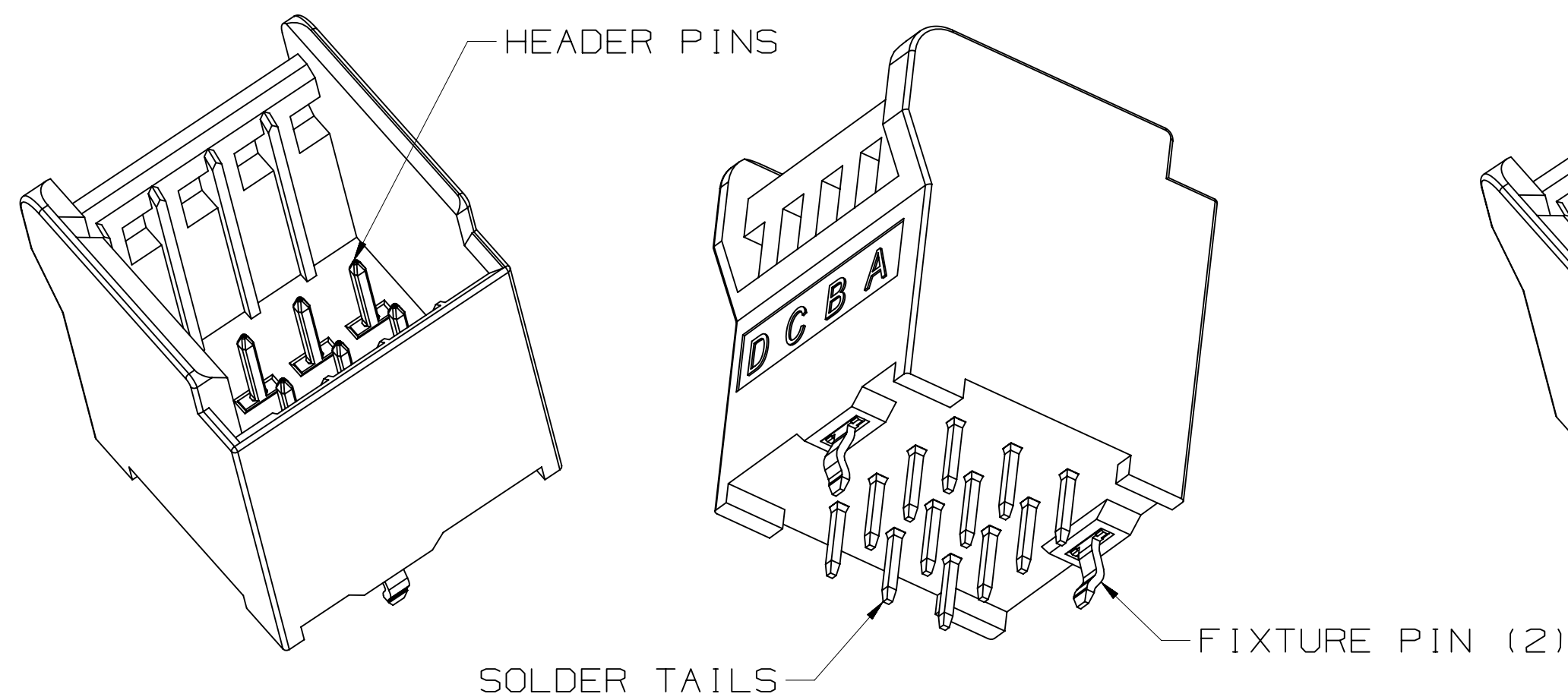
3M™ MINI STACK CONNECTOR, BOARDMOUNT HEADER STRAIGHT TYPE
3S6XX-62XX SERIES

NOTES

- 1 REGULATORY INFORMATION:
VISIT 3M.com/regs
- 2 IN THE EVENT OF CONFLICT BETWEEN THIS DATA AND THAT CONTAINED IN THE PRODUCT SPECIFICATION, THE PRODUCT SPECIFICATION TAKES PRECEDENT.
- 3 REFERENCE PRODUCT SPECIFICATION PS-0363
- 4 SEE TECH SHEET TS-2725 FOR MATING SOCKETS.

12 POSITION HEADER COMMON TYPE
3S612-62C3-B00 PP

16 POSITION HEADER COMMON TYPE
3S616-62C4-B00 PP



2 PHYSICAL :

INSULATOR:
MATERIAL: PBT RESIN
COLOR: BLACK
CONTACT:
MATERIAL: COPPER ALLOY
PLATING:
UNDER PLATING: NICKEL OVERALL
WIPING AREA: GOLD
SOLDER TAILS: TIN
FIXTURE PINS:
MATERIAL: COPPER ALLOY
PLATING: TIN PLATING OVER NICKEL PLATING

2 ELECTRICAL :

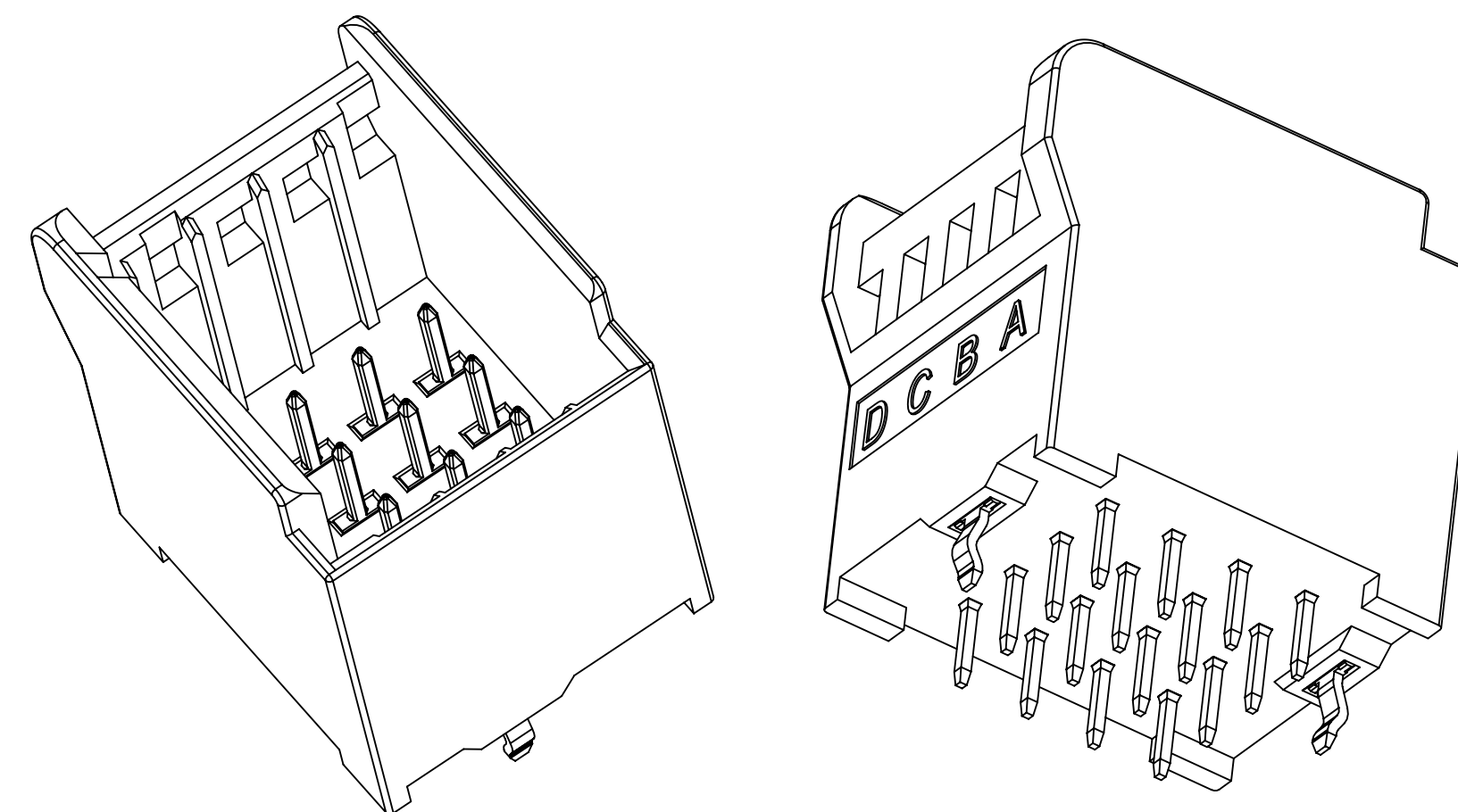
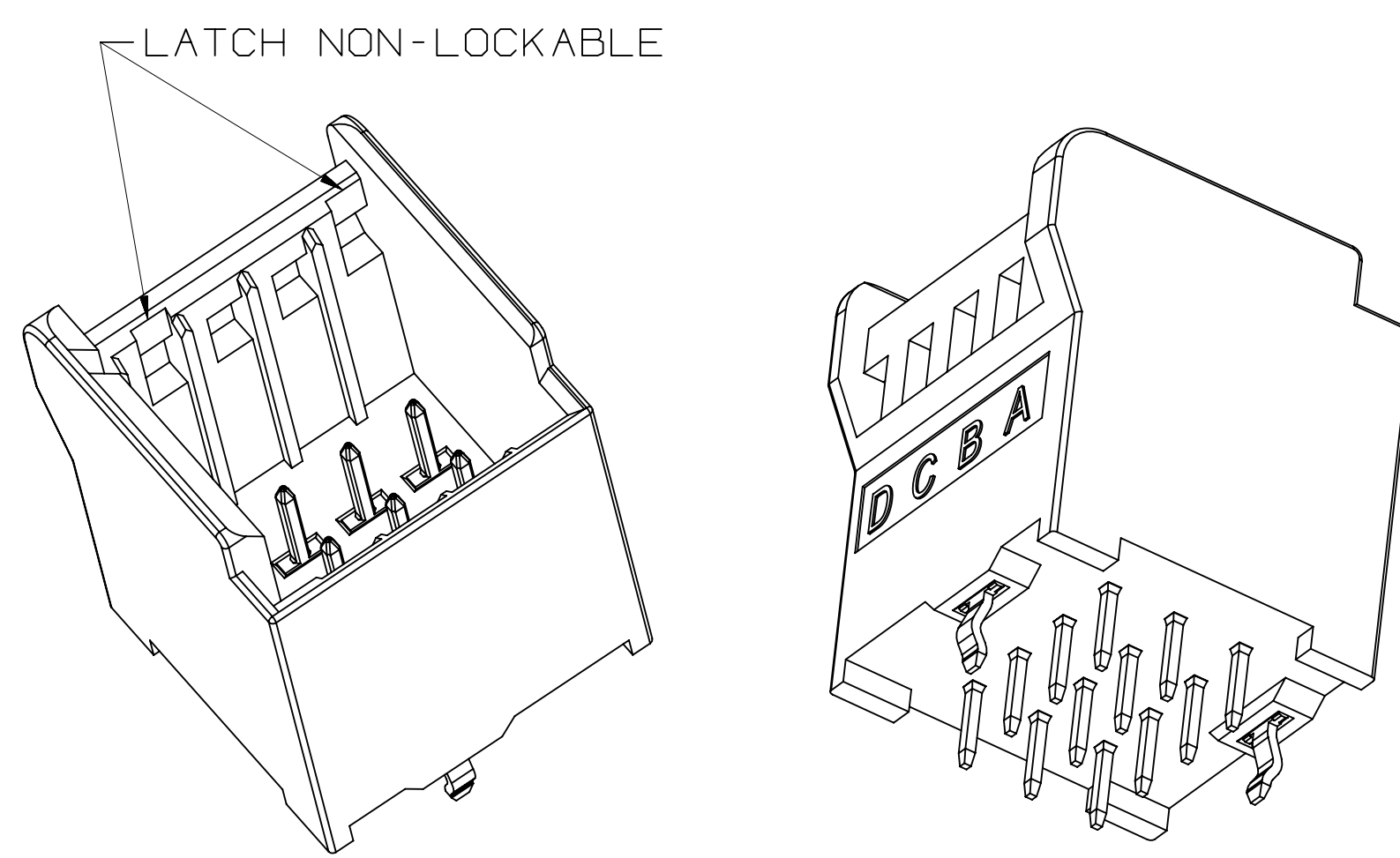
VOLTAGE: AC/DC: 32V MAX.
CURRENT: 2.0A MAX.

2 ENVIRONMENTAL :

TEMPERATURE: -20° C TO 85° C

12 POSITION HEADER STACK TYPE
3S612-62S3-B00 PP

16 POSITION HEADER STACK TYPE
3S616-62S4-B00 PP



PCB ACCOMMODATION		
PCB THICKNESS:	1.0 TO 1.6 mm (39 TO 63 mil)	SEE RECOMMENDED HOLE PATTERN

ORDERING INFORMATION

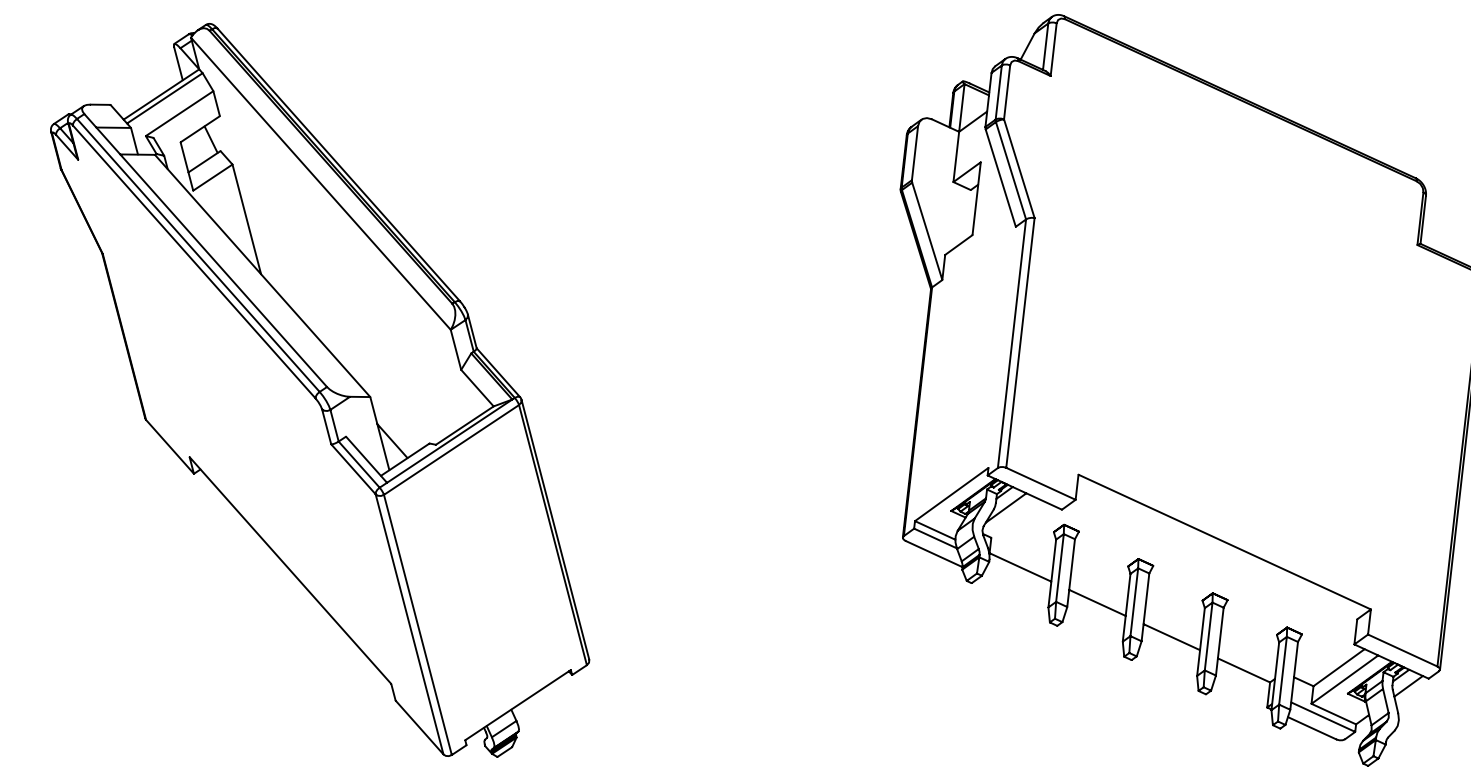
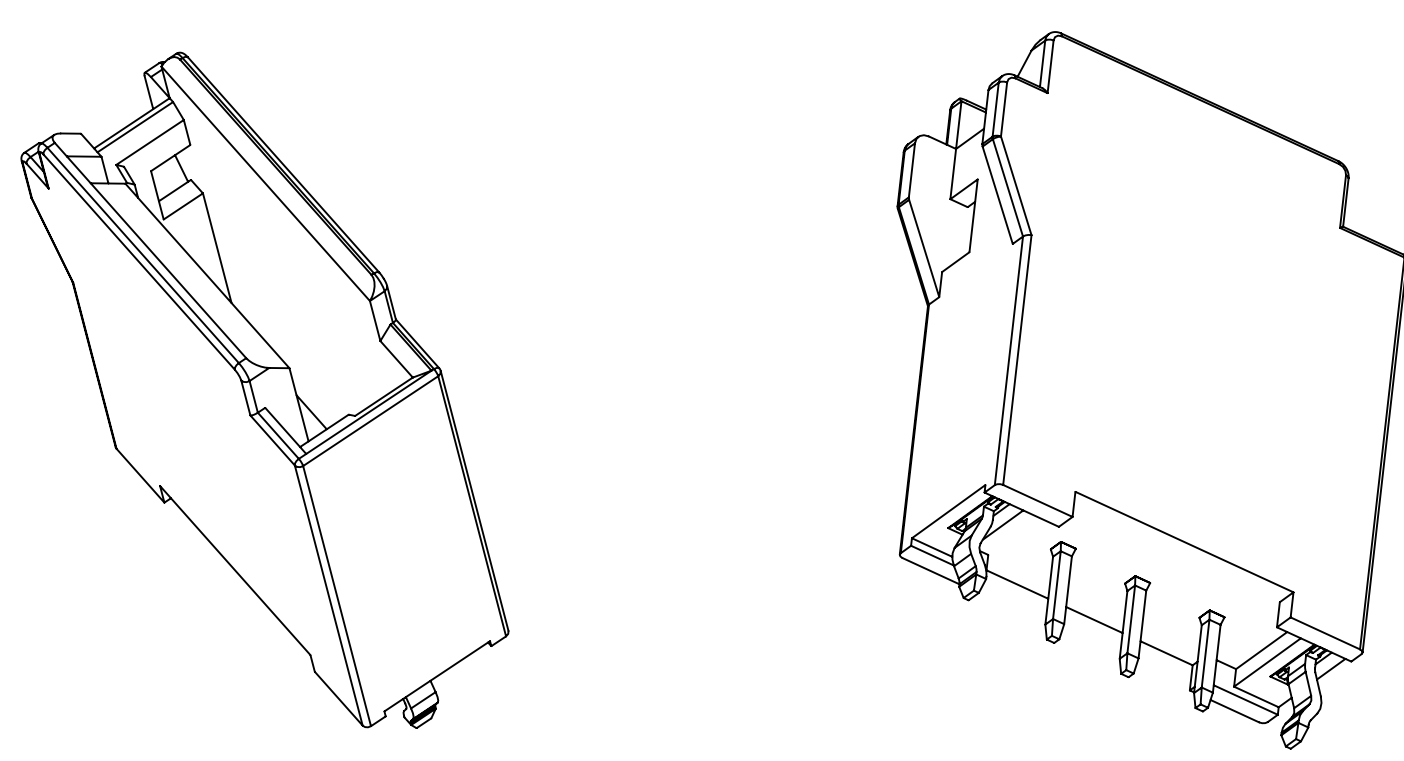
3S6XX-62XX-B00 PP

CONTACT QUANTITY: 3 = 3 POSITION WIREMOUNT CONNECTOR
03 = 3 POSITIONS
04 = 4 POSITIONS
12 = 12 POSITIONS
16 = 16 POSITIONS

3 = 3 POSITION WIREMOUNT CONNECTOR
4 = 4 POSITION WIREMOUNT CONNECTOR

3 POSITION HEADER COMMON TYPE
3S603-62C3-B00 PP

4 POSITION HEADER COMMON TYPE
3S604-62C4-B00 PP



BODY TYPE: _____

C = COMMON TYPE:
FOR WIRE MOUNT SOCKET NON-STACK TYPE AND STACK TYPE

S = STACK TYPE:
OPTIMIZED FOR WIRE MOUNT SOCKET STACK TYPE

3M ELECTRONICS MATERIALS SOLUTIONS DIVISION
INTERCONNECT SOLUTIONS
<http://www.3M.com/interconnect>

3M IS A TRADEMARK OF 3M COMPANY.
FOR TECHNICAL, SALES OR ORDERING
INFORMATION CALL 800-225-5373



UL FILE NO : E68080

DESIGN REFERENCE	NEXT ASSEMBLY	REV	ECO	ISSUE DATE AND DESCRIPTION	DRFT	CHKD
		B	103668	APR 27, 2022 UPDATE TITLE UPDATE DESCRIPTION ADD COMMON TYPE ADD 3POS AND 4POS	TH	YK
		A	95460	FEB 05, 2021 INITIAL RELEASE	LDS	FJR
				FEB 02, 2021		
				FEB 05, 2021		

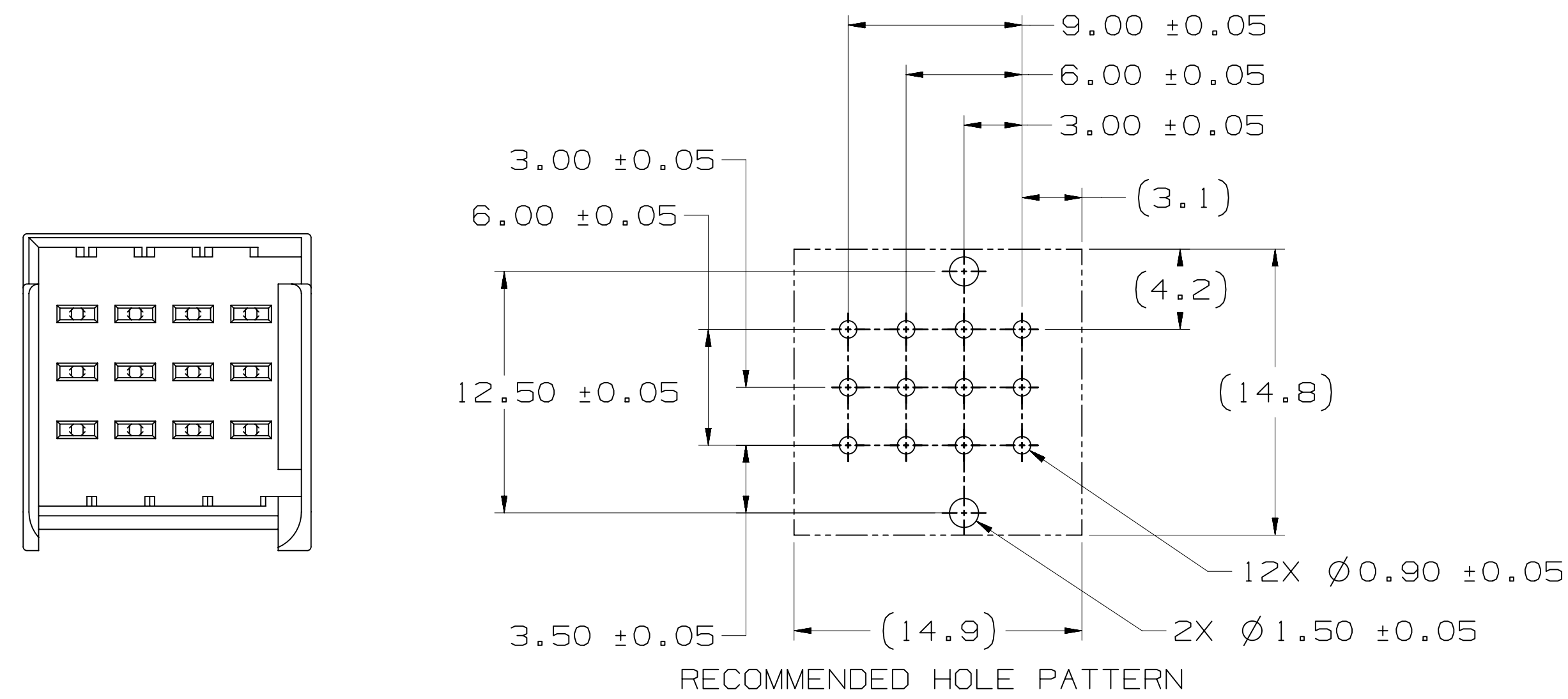
DO NOT SCALE DRAWING	SCALE FREE	TOLERANCES EXCEPT AS NOTED	<p>© 3M COPYRIGHT 2022 This document and the information it contains are 3M property and may not be reproduced or further distributed without 3M permission, or used or disclosed other than for 3M authorized purposes. All rights reserved.</p>
THIRD ANGLE PROJECTION	INTERPRET PER ASME Y14.5-2018	MILLIMETERS	
MAX SURFACE ROUGHNESS 125	125	INCHES	<p>TITLE: MINI STACK CONNECTOR BOARDMOUNT HEADER STRAIGHT TYPE 3S6XX-62XX-B00 PP</p> <p>CAGE NUMBER: D78-5100-2726-7</p> <p>SIZE: 1 OF 3</p>

78-5100-2726-7

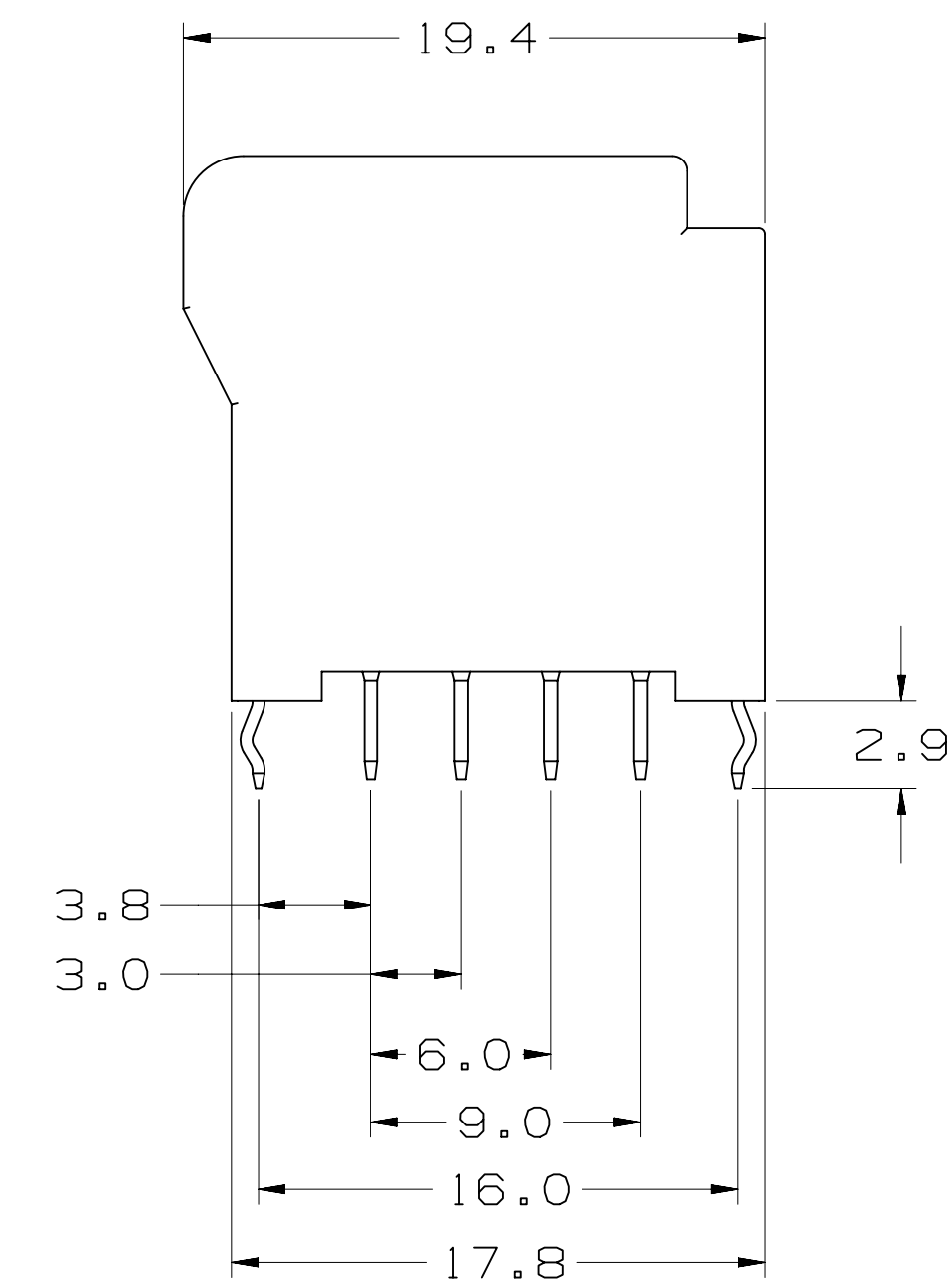
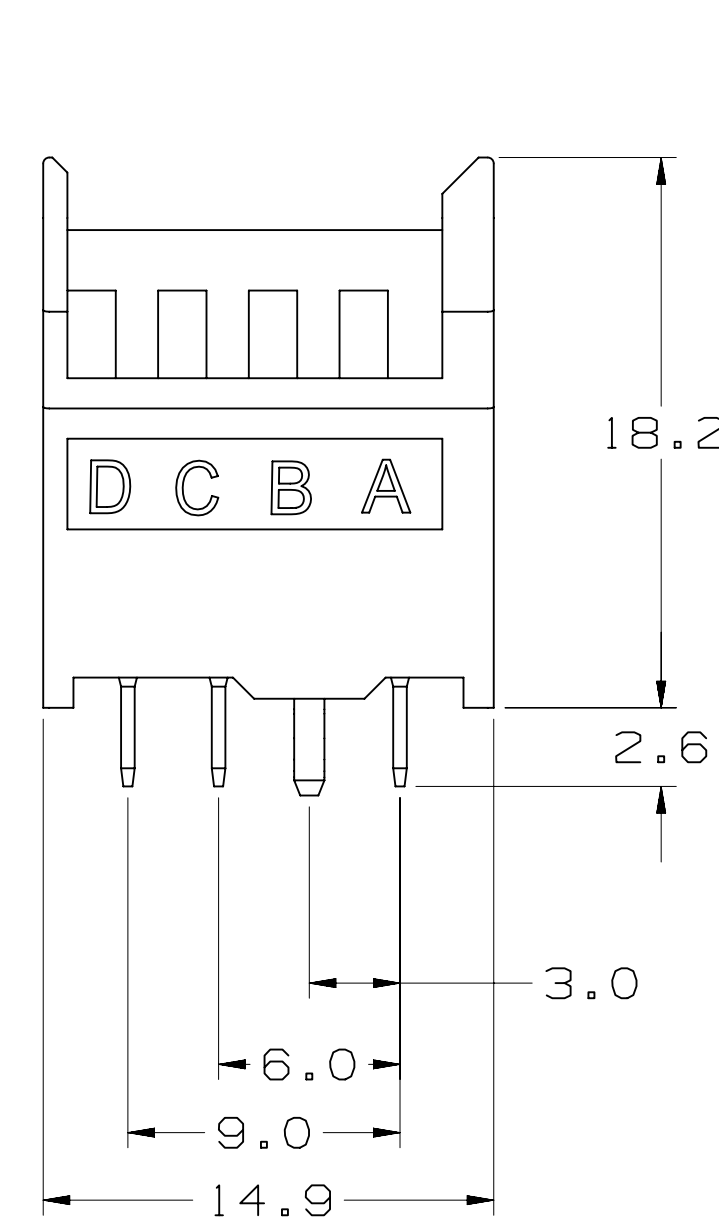
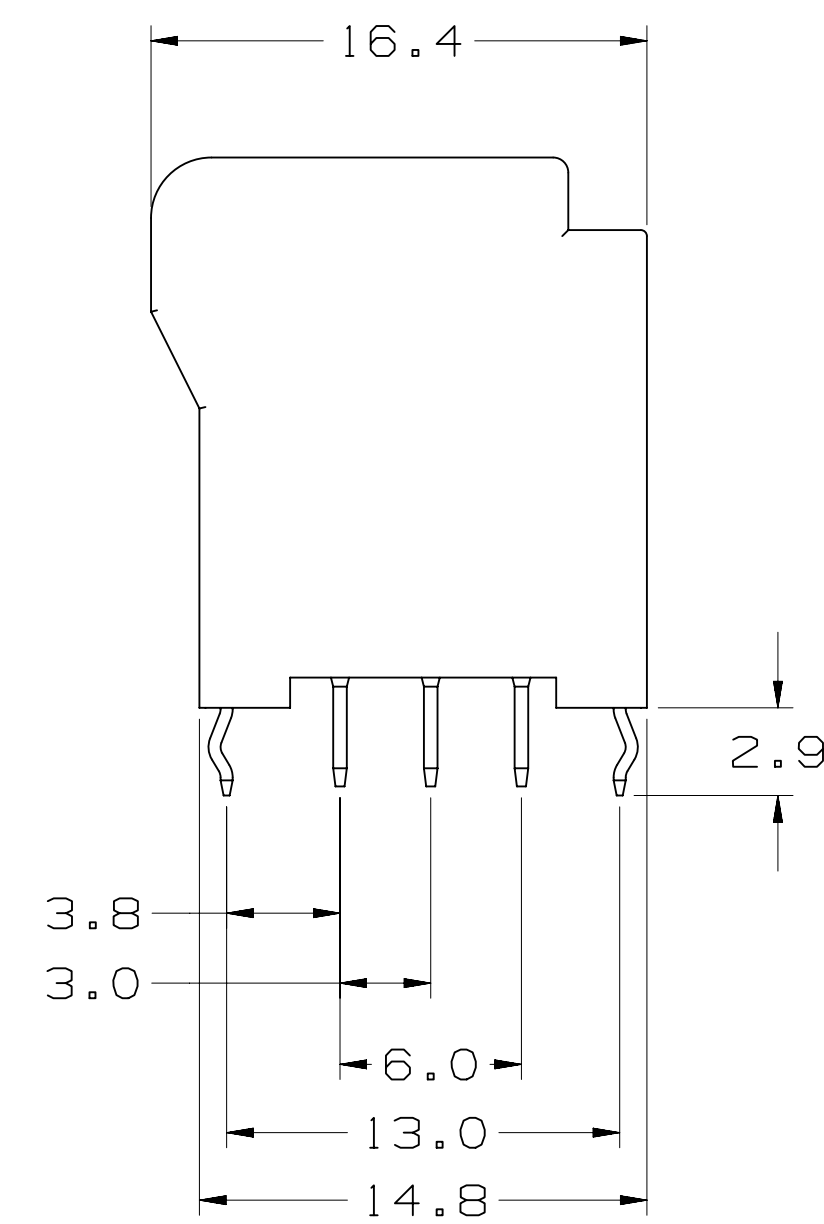
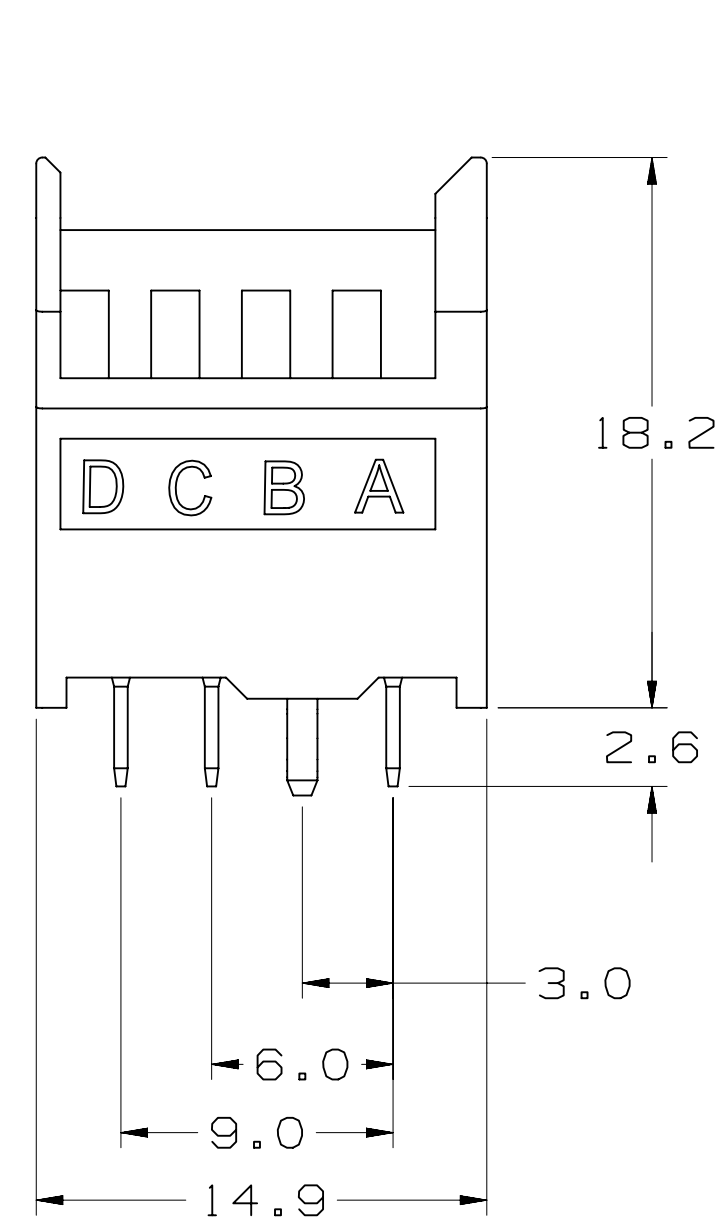
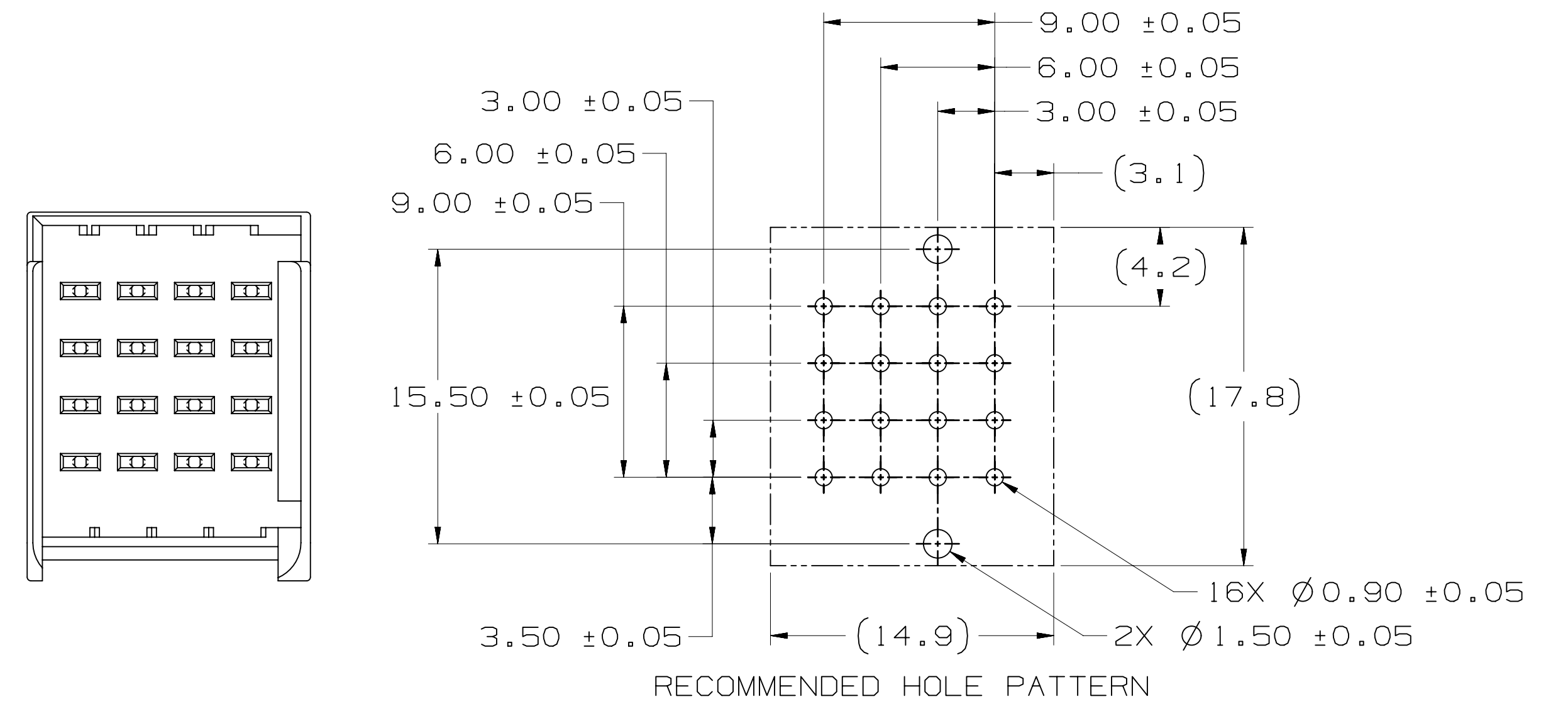
SHT 1 OF 3

3M™ MINI STACK CONNECTOR, BOARDMOUNT HEADER STRAIGHT TYPE
3S6XX-62XX SERIES

12 POSITION
3S612-62X3-B00 PP



16 POSITION
3S616-62X4-B00 PP



UL FILE NO : E68080

B	103668	APR 27, 2022	TH	YK
A	95460	FEB 05, 2021	LDS	FJR
REV	ECO	ISSUE DATE AND DESCRIPTION	DRFT	CHKD
	L SCHMIDT	FEB 02, 2021		
			F RODRIGUEZ	FEB 05, 2021

DESIGN REFERENCE	NEXT ASSEMBLY
SCALE	TOLERANCES EXCEPT AS NOTED
DO NOT SCALE DRAWING	FREE
THIRD ANGLE PROJECTION	INCHES
INTERPRET PER ASME Y14.5-2018	0 ± .005
MAX SURFACE ROUGHNESS	MILLIMETERS
125 SURFACES	0 ± .2
MARKED ONLY	0 ± .005
	ANGLES ± .1

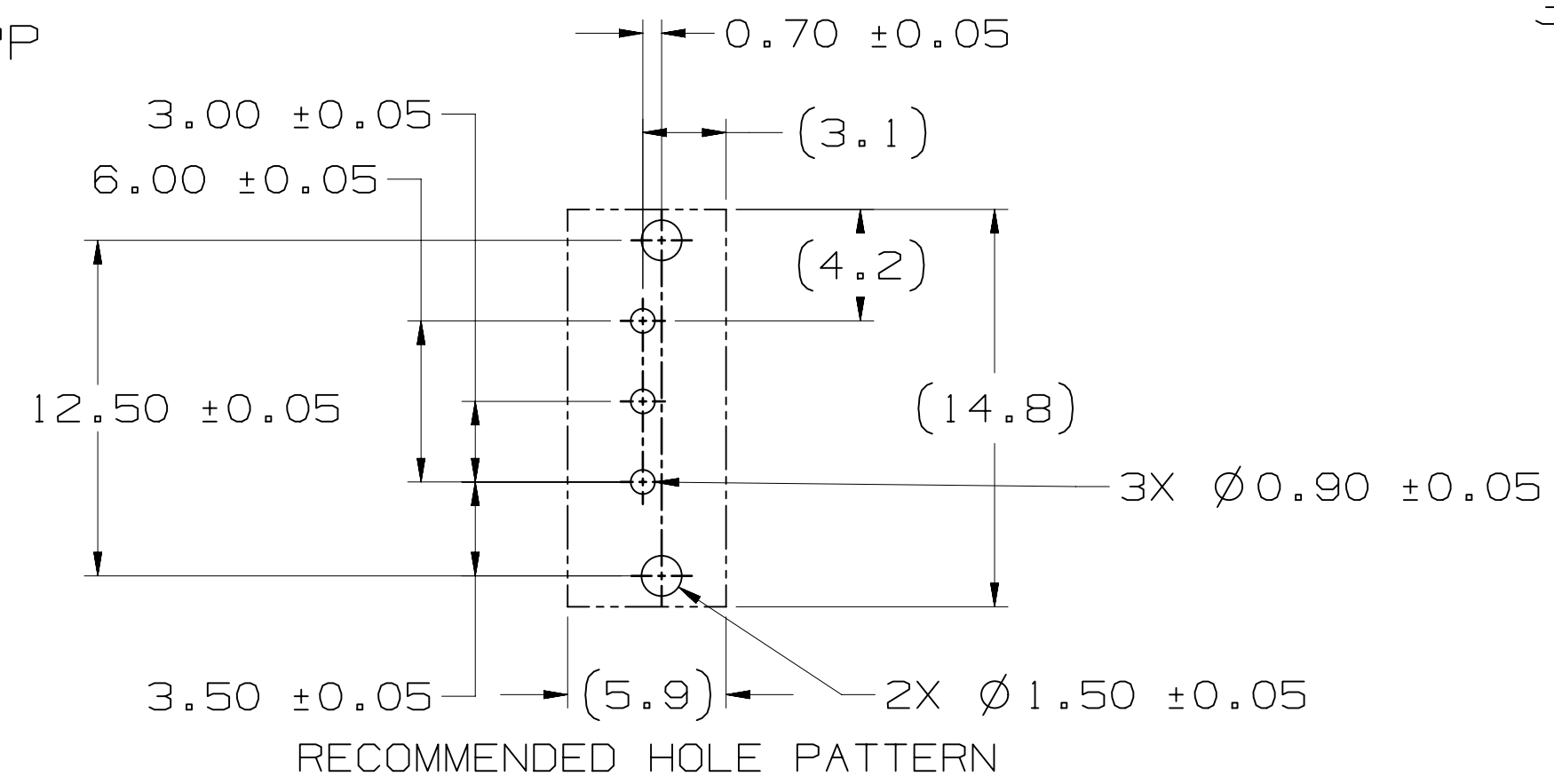
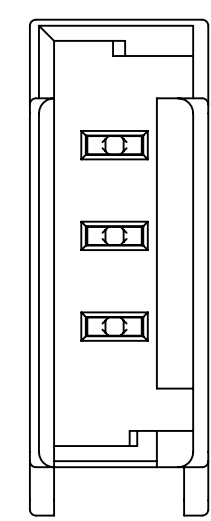
		© 3M COPYRIGHT 2022 This document and the information it contains are 3M property and may not be reproduced or further distributed without 3M permission, or used or disclosed other than for 3M authorized purposes. All rights reserved.
TITLE MINI STACK CONNECTOR BOARDMOUNT HEADER STRAIGHT TYPE 3S6XX-62XX-B00 PP		
CAGE NUMBER	SIZE	DRAWING NO.
D	1	78-5100-2726-7
REV.	B	
MODEL	SHT 2 OF 3	

78-5100-2726-7
DRAWING NUMBER

A

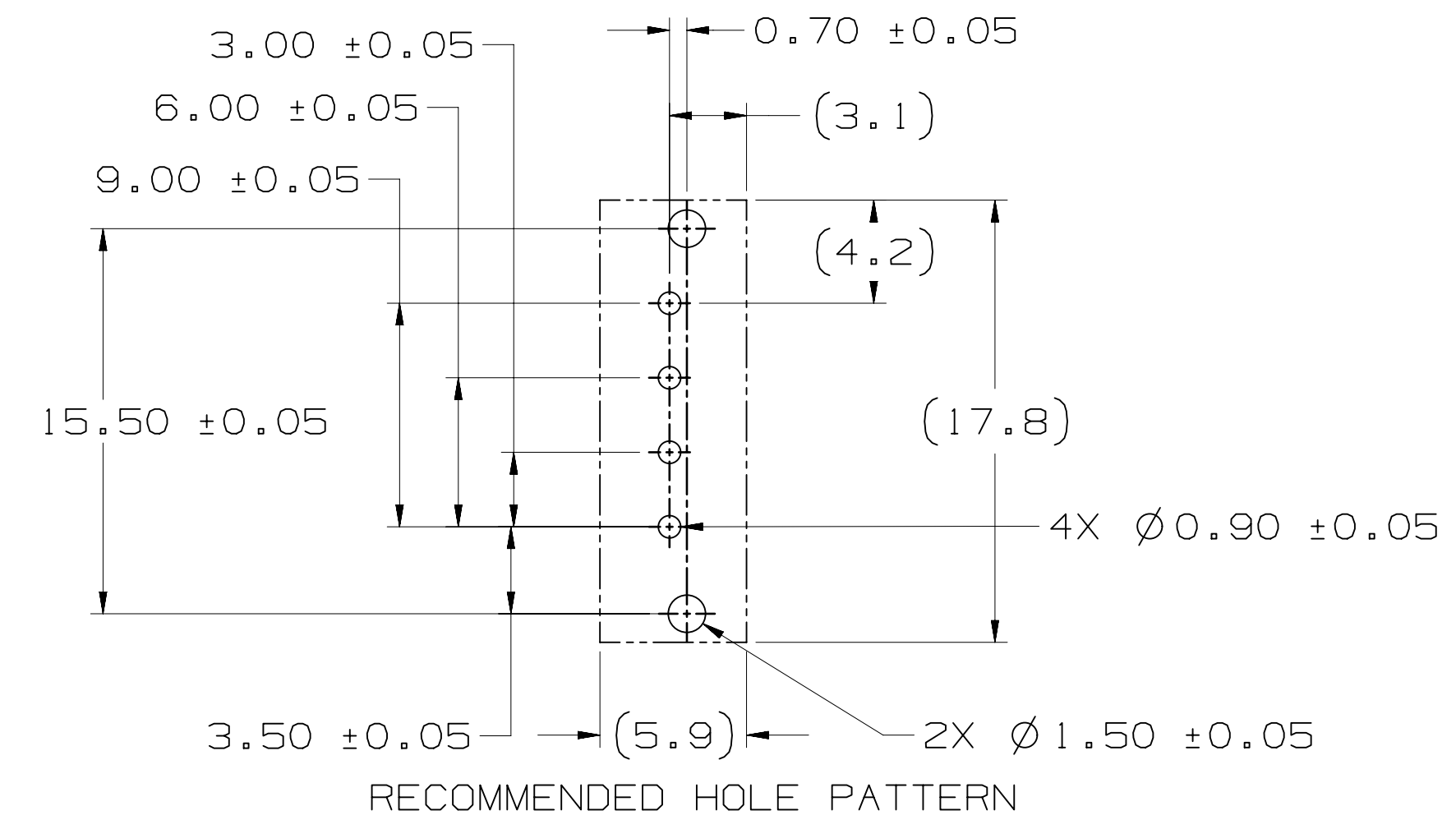
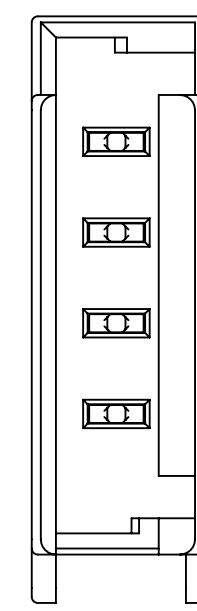
3M™ MINI STACK CONNECTOR, BOARDMOUNT HEADER STRAIGHT TYPE
3S6XX-62XX SERIES

3 POSITION
3S603-62C3-B00 PP

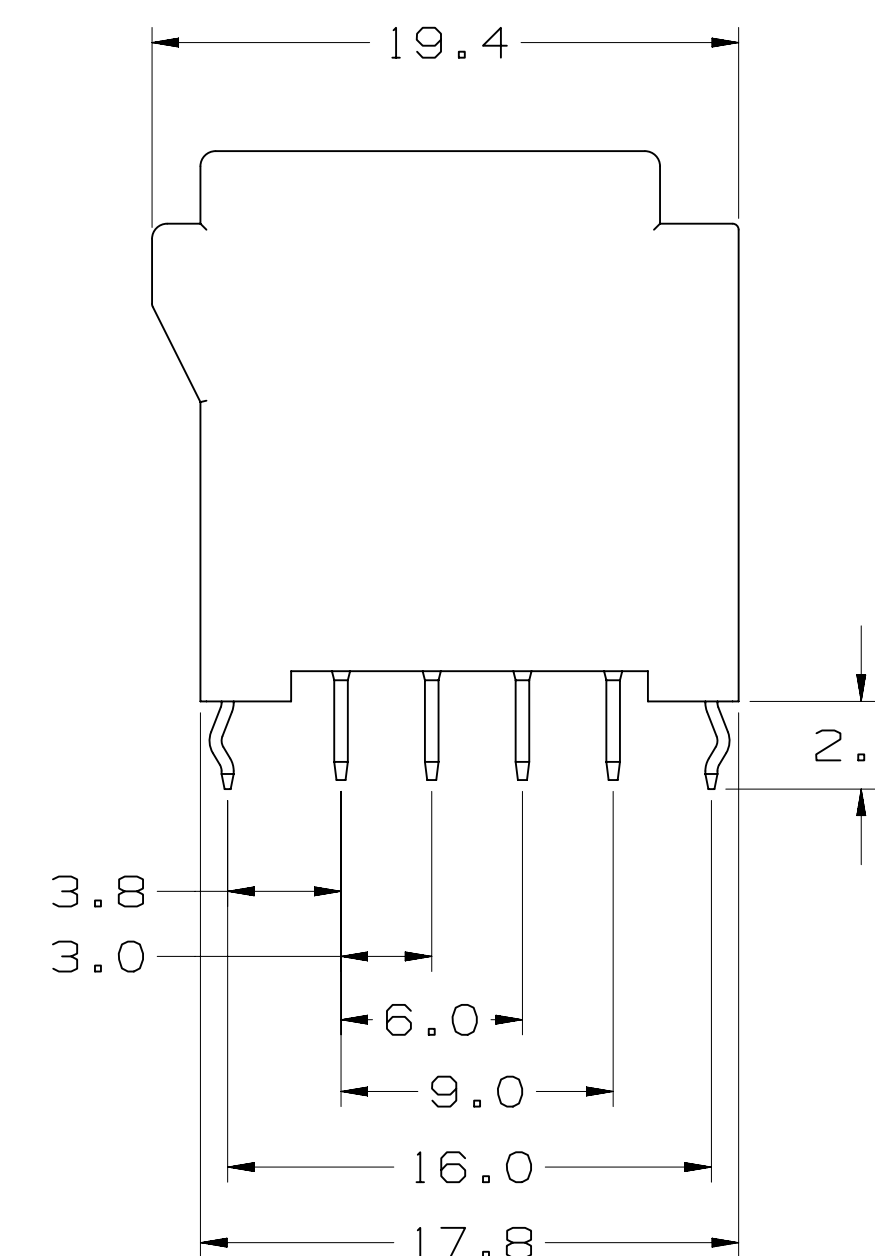
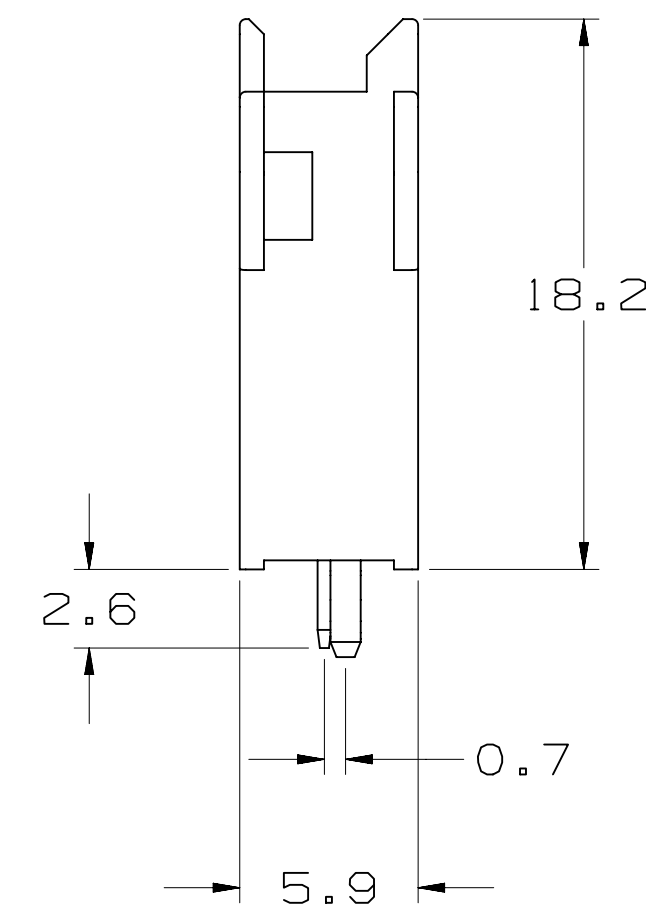
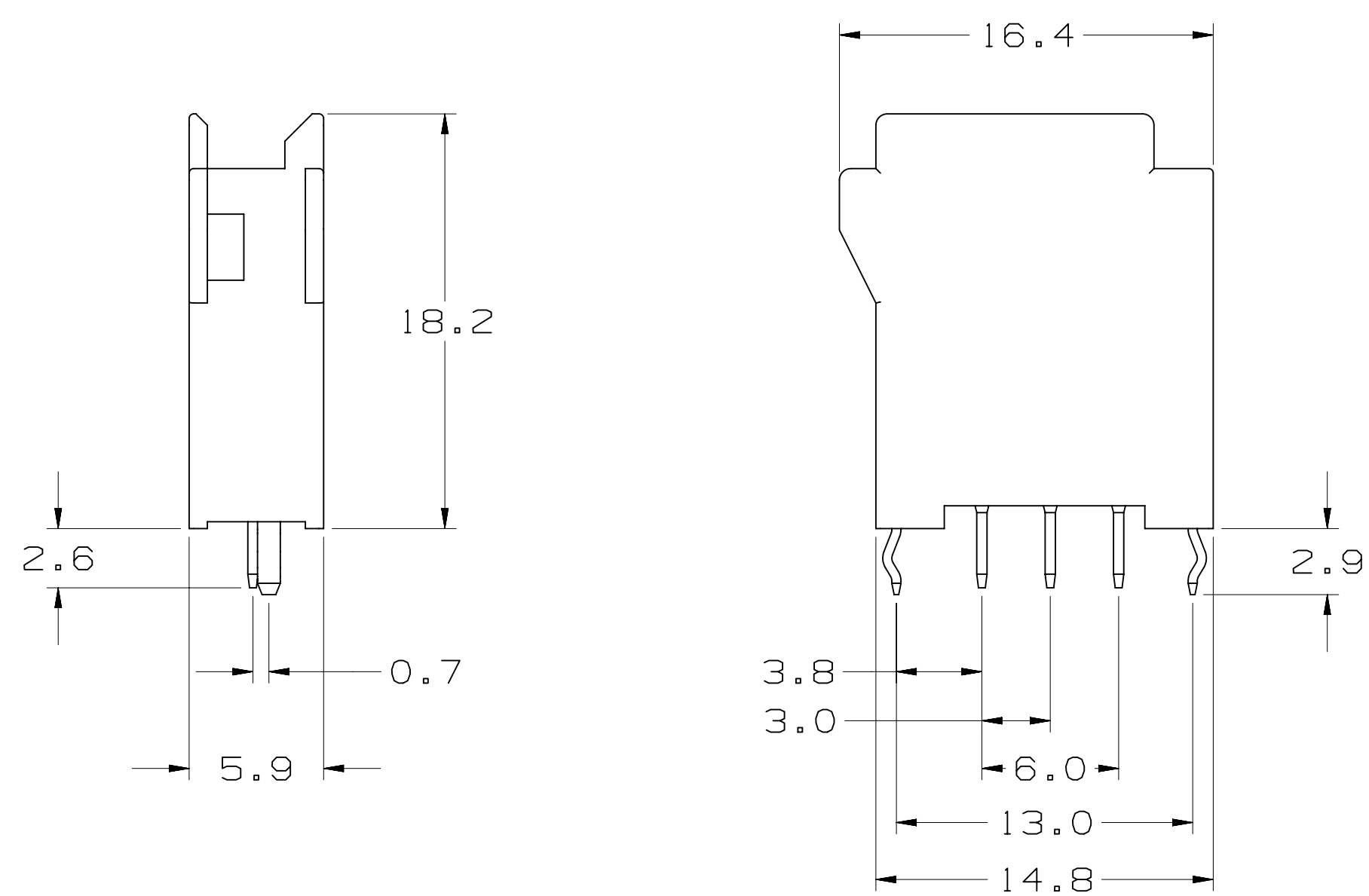


RECOMMENDED HOLE PATTERN

4 POSITION
3S604-62C4-B00 PP



RECOMMENDED HOLE PATTERN



Regulatory: For regulatory information about this product, visit 3M.com/regs or contact your 3M representative.

Technical Information: The technical information, recommendations and other statements contained in this document are based upon tests or experience that 3M believes are reliable, but the accuracy or completeness of such information is not guaranteed.

Product Use: Many factors beyond 3M's control and uniquely within user's control can affect the use and performance of a 3M product in a particular application. Given the variety of factors that can affect the use and performance of a 3M product, user is solely responsible for evaluating the 3M product and determining whether it is fit for a particular purpose and suitable for user's method of application.

Warranty, Limited Remedy, and Disclaimer: Unless an additional warranty is specifically stated on the applicable 3M product packaging or product literature, 3M warrants that each 3M product meets the applicable 3M product specification at the time 3M ships the product. 3M MAKES NO OTHER WARRANTIES OR CONDITIONS, EXPRESS OR IMPLIED, INCLUDING, BUT NOT LIMITED TO, ANY IMPLIED WARRANTY OR CONDITION OF MERCHANTABILITY OR FITNESS FOR A PARTICULAR PURPOSE OR ANY IMPLIED WARRANTY OR CONDITION ARISING OUT OF A COURSE OF DEALING, CUSTOM OR USAGE OR TRADE. If the 3M product does not conform to this warranty, then the sole and exclusive remedy is, at 3M's option, replacement of the 3M product or refund of the purchase price.

Limitation of Liability: Except where prohibited by law, 3M will not be liable for any loss or damage arising from the 3M product, whether direct, indirect, special, incidental or consequential, regardless of the legal theory asserted, including warranty, contract, negligence or strict liability.

3M Company
Electronics Materials Solutions Division
13011 McCallen Pass, Bldg. C
Austin, TX 78753-5380
1-800-225-5373
www.3M.com/interconnect



UL FILE NO : E68080

DESIGN REFERENCE	NEXT ASSEMBLY	REV	ECO	ISSUE DATE AND DESCRIPTION	DRFT	CHKD
		DRP	L SCHMIDT	FEB 02, 2021	MFG	DATE
		CHKD			APPR	F RODRIGUEZ
					DATE	FEB 05, 2021
DIVISION	DIVISION CODE					
DO NOT SCALE DRAWING	SCALE FREE	TOLERANCES EXCEPT AS NOTED INCHES .00 ± .000 ± .0000 ± MILLIMETERS 0 ±.2 .00 ±.13 .000 ±.005 ANGLES ±.1°				
THIRD ANGLE PROJECTION	INTERPRET PER ASME Y14.5-2018	TITLE MINI STACK CONNECTOR BOARDMOUNT HEADER STRAIGHT TYPE 3S6XX-62XX-B00 PP				
MAX SURFACE ROUGHNESS 125	MARKED ONLY	CAGE NUMBER	SIZE	DRAWING NO.	REV.	
		D	78-5100-2726-7	B		
		MODEL				

78-5100-2726-7
DRAWING NUMBER

A

SHT 3 OF 3