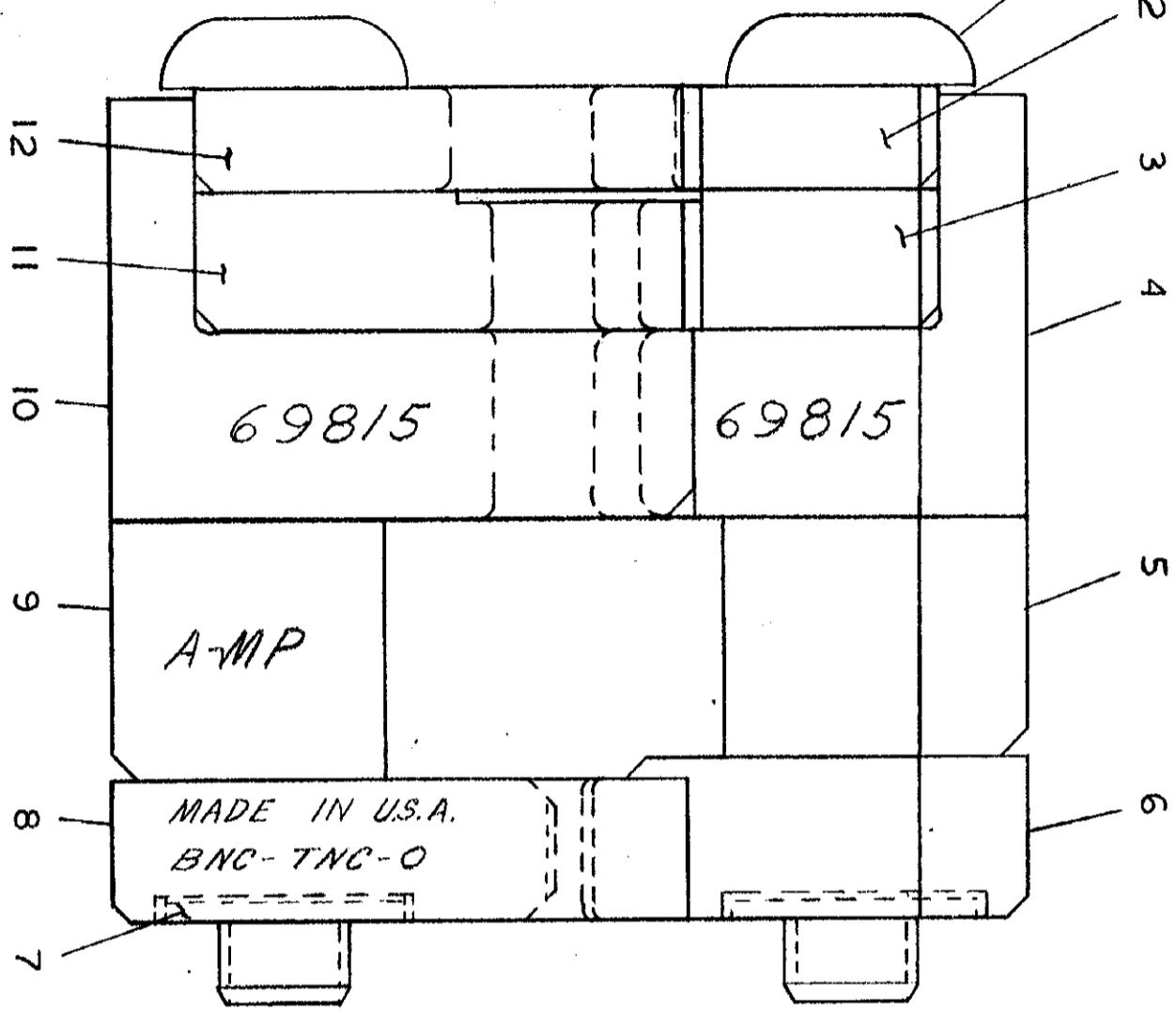
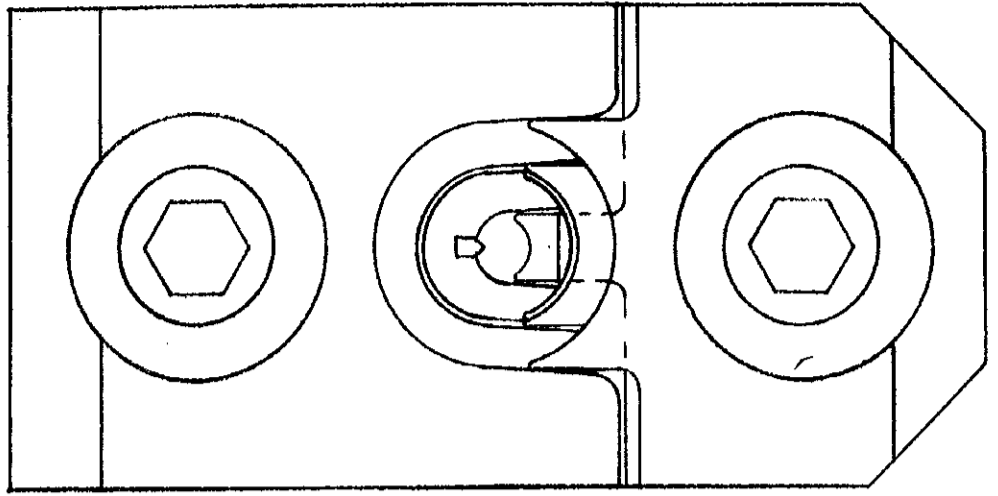


S

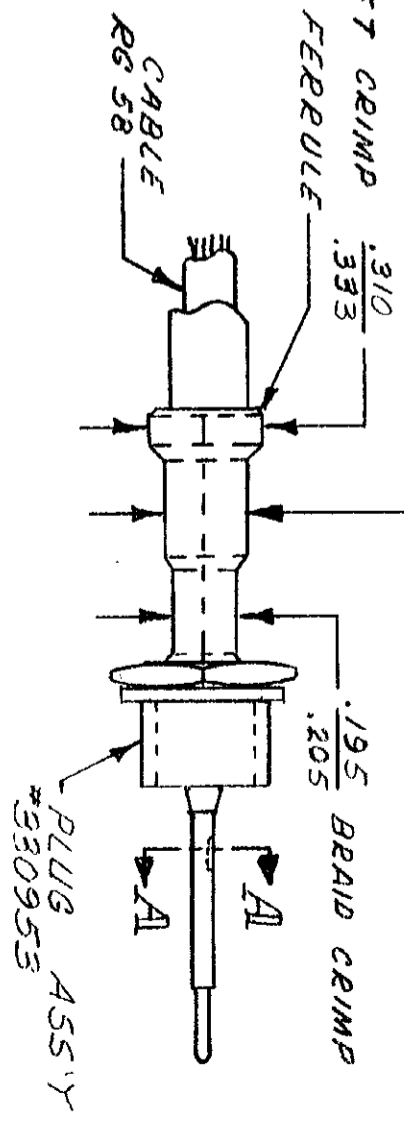
DIMENSIONS IN INCHES. DO NOT SCALE PRINT



"0" CRIMP	NO GO
GO	.075
	.079

INSULATION CRIMP .209
GASKET CRIMP .310
FERRULE .333

CENTER CONTACT CRIMP
SECTION A-A



METHOD OF GAGING CRIMP DIMS.
THE CRIMP DIMS. APPLY ONLY TO THE ABOVE
COMBINATIONS ON A CRIMPED PRODUCT.
SUPERSEDED BY U.S. 2610

1	306328	INDENTER - GASKET	12
1	306332	INDENTER - INSULATION	11
1	306330	INDENTER - BRAID	10
1	6-305832-7	SPACER	9
1	306949	INDENTER	8
2	1-21046-3	RING - RETAINING	7
1	45969-3	ANVIL - BARREL	6
1	1-59672-4	SPACER - UPPER	5
1	306331	ANVIL - BRAID	4
1	306333	ANVIL - INSULATION	3
1	306329	ANVIL - GASKET	2
2	6-306131-5	SCREW	1

CUSTOMER COPY
REFERENCE ONLY



WIRE - RANGE - INSULATION: **BNC & TNC**

SCALE: **4-7**

NO: **69815**

REV: **B**

DR: *W. H. ...*

CHK: *O. J. ...*

DATE: *6-19-67*

REVISION RECORD	DR	CHK	DATE
B SUPD BY U.S. 2610	EM	KIF	4-2-72
A REVISED	BS		8-7-67
LTR			

PRINT DIST: **B**

AMP 1253 REV 7/60 8 7 6 5 4 3 2 1