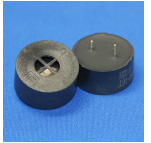


## CT25E-16T150-1

Former P/N: CEMT250B125-12C15PLR / CEMT250B-12PLR

Rev. 6-2020  
RoHS3 & REACH  
Electromagnetic Sound Transducers



### Operating Characteristics

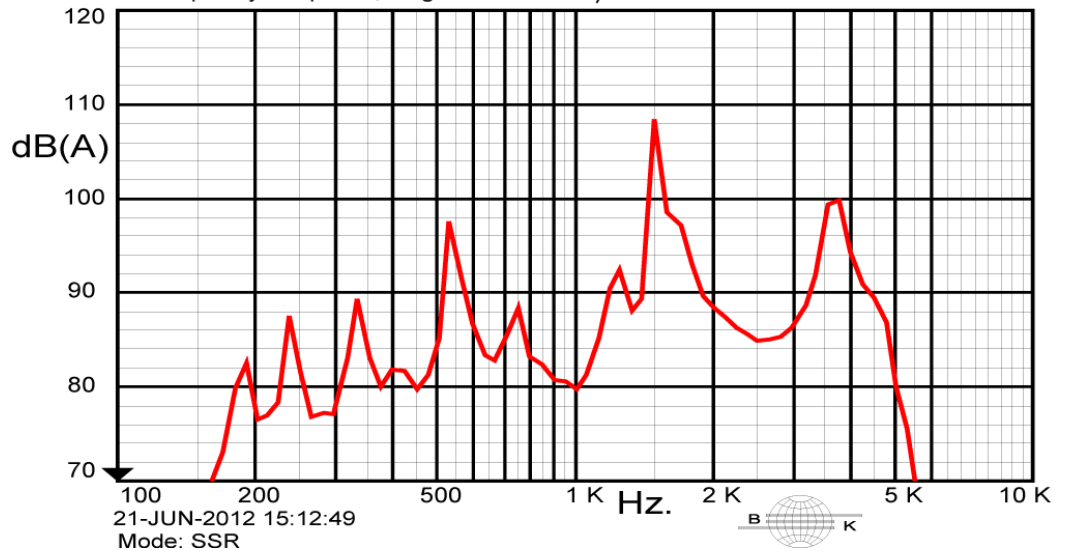
#### ELECTRICAL

Rated Voltage	12.0 Vo-p
Operating Voltage	8.0 to 16.0 Vo-p
Coil Resistance	120 ± 12 Ω
Max Current at V Rated	55 mA

#### ACOUSTIC

Min SPL at V Rated	104 dB
Test Conditions	10 cm
f <sub>o</sub>	1500 Hz

X: 100 Hz. \*Y: 56.8 dB ZA: Live Curve SSR T.Ha.  
A: Frequency Response, Magn dB re 20.00 μPa/V



### Physical Characteristics

#### MATERIAL

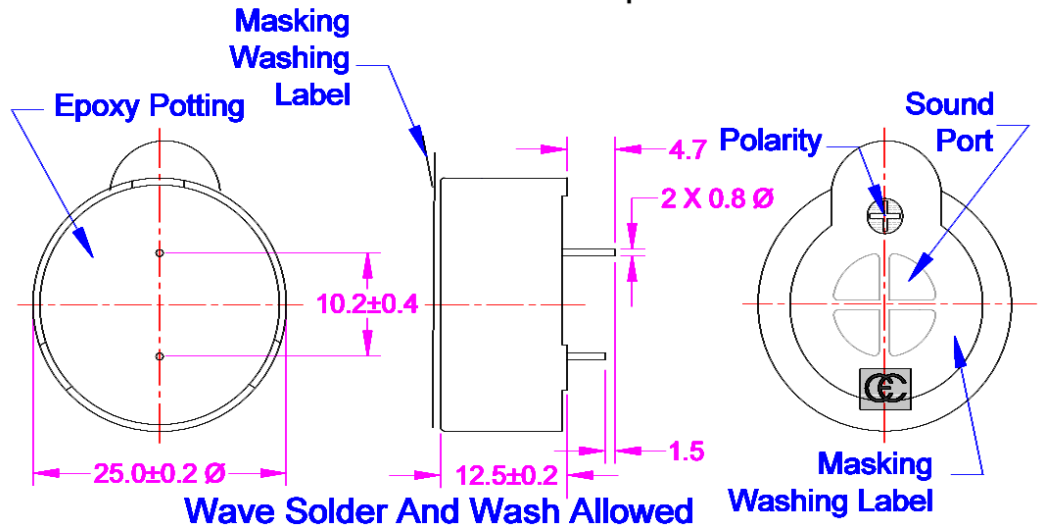
Housing	Noryl
Diaphragm	Ni-alloy
PC Pin	Tin Plated Brass

#### TEMPERATURE RANGES

Operating	-40 to +85 °C
Storage	-40 to +85 °C

Weight	10 g
--------	------

Tolerance: ± 0.5mm unless specified otherwise.



All measurements in mm unless otherwise noted.

Revision	Description	By	Date
5-2019	Migrate to new format	YK	2019-06-21
6-2020	Added abbreviated former PN. Added general tolerance.	JL	2020-11-03

Warranty: For a period of two (2) years from date of shipping under normal operations conditions. This warranty does not apply to products damaged through misuse, abuse, improper installation, alteration, rework, or attempt to repair.

The information contained herein is believed to be correct, but no guarantee or warranty, express or implied, with respect to accuracy, completeness or results is extended and no liability is assumed. Challenge Electronics reserves the right to make changes in any specification, data or material contained herein.