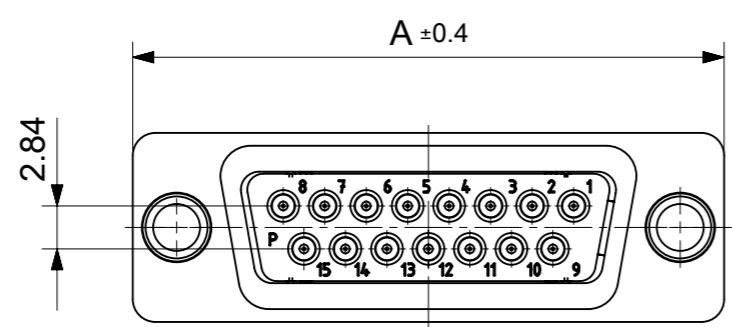
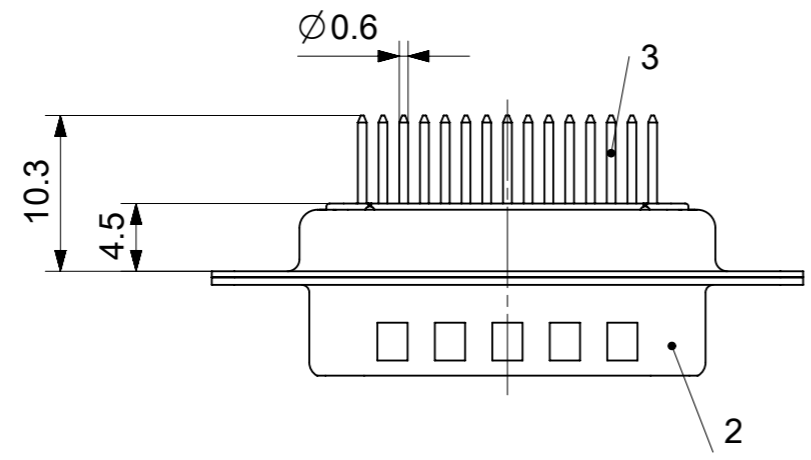
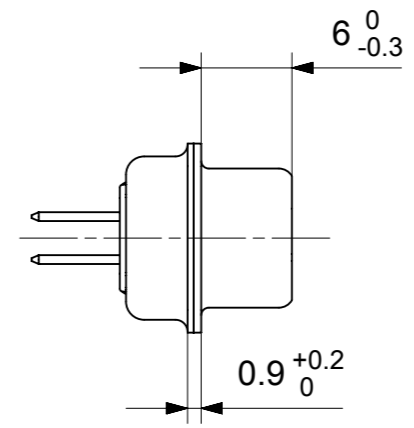
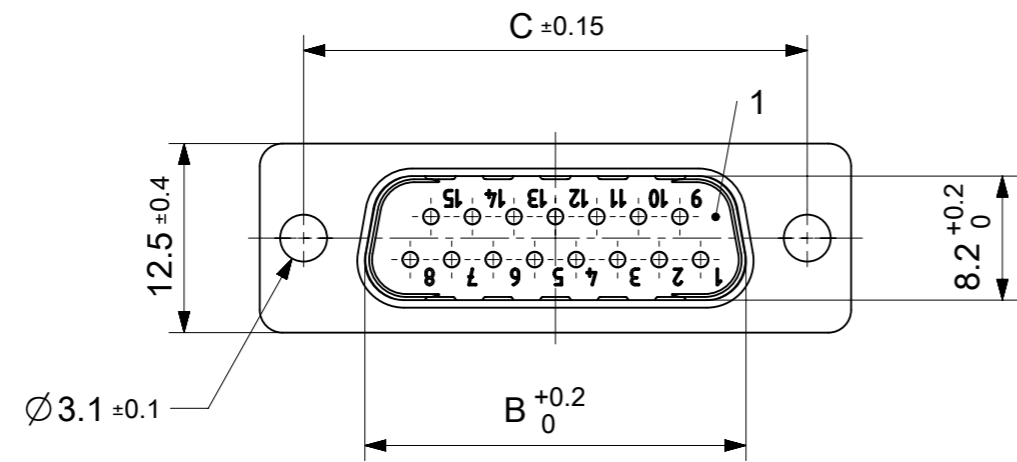


RoHS compliant
by exemption



FCT Part number:
Fxx*1)P1G1A
e.g. F15P1G1A
*1) xx No. of contacts 09, 15, 25 or 37

Material Number	xx*1)	A[mm]	B[mm]	C[mm]	*E[mm]
1731090641	09	30.8	16.9	25	Ø1
1731090699	15	39.1	25.2	33.3	
1731090709	25	53	38.9	47.04	
1731090719	37	69.3	55.3	63.5	

*PCB hole patterns ØE see document 2195600023

3	xx	Signal contact	P1 / Brass	AuroPur
2	1	Shell	Steel	tin plated
1	1	Insulator	PBT (-55°C to +125°C) acc. UL94V-0	white
No.	Pc.	Part	Type Description/Material	Surface plating/ Color/Class

MEASUREMENTS WITHOUT TOLERANCE ACC TO ISO 2768-m

REPLACEMENT FOR DOCUMENT NUMBER: FxxP1G1A

FUNCTIONAL SYMBOLS	DIMENSION UNITS	SCALE	CURRENT REV DESC:				
$\nabla_A = 0$	mm	2:1	<p>molex</p> <p>FCT D-SUB MINIATURE CONNECTOR</p> <p>PRODUCT CUSTOMER DRAWING</p>				
$\nabla_E = 0$	GENERAL TOLERANCES (UNLESS SPECIFIED)					EC NO: 706086	2021/11/24
$\nabla_P = 0$	ANGULAR TOL ± °					DRWN: GOOLAM	2022/05/11
	4 PLACES ±					CHK'D: MTEUBEL	2022/05/11
DIVISIONAL SYMBOLS	3 PLACES ±		APPR: MTEUBEL	2022/05/11	DOCUMENT NUMBER		
	2 PLACES ±		INITIAL REVISION:		1731090641		
	1 PLACE ±		DRWN: GOOLAM	2021/11/24	DOC TYPE		
	0 PLACES ±		APPR: MTEUBEL	2022/05/11	DOC PART		
DRAFT WHERE APPLICABLE MUST REMAIN WITHIN DIMENSIONS			FIRST ANGLE PROJECTION	DRAWING	REVISION		
				A3-SIZE	A		
			SERIES	MATERIAL NUMBER	CUSTOMER		
			173109	SEE TABLE	GENERAL MARKET		
					SHEET NUMBER		
					1 OF 1		



ØE, ØF see data sheet incl. connector
 ØF connectors with accessories only

MEASUREMENTS WITHOUT TOLERANCE ACC TO ISO 2768-m			REPLACEMENT FOR DOCUMENT NUMBER: AM0023		
THIS DRAWING CONTAINS INFORMATION THAT IS PROPRIETARY TO MOLEX ELECTRONIC TECHNOLOGIES, LLC AND SHOULD NOT BE USED WITHOUT WRITTEN PERMISSION					
FUNCTIONAL SYMBOLS	DIMENSION UNITS	SCALE	CURRENT REV DESC:		
$\nabla_A = 0$	mm	2:1	molex FCT PCB HOLE PATTERN STRAIGHT CONTACT NO. OF CONTACTS 09-37 PRODUCT CUSTOMER DRAWING		
$\nabla_F = 0$	GENERAL TOLERANCES (UNLESS SPECIFIED)				
$\nabla_P = 0$	ANGULAR TOL ± °				
DIVISIONAL SYMBOLS	4 PLACES ±				
	3 PLACES ±		EC NO: 713905	2022/05/16	
	2 PLACES ±		DRWN: SKANDB	2022/07/12	
	1 PLACE ±		CHK'D: MTEUBEL	2022/07/12	
	0 PLACES ±		APPR: MTEUBEL	2022/07/12	
DRAFT WHERE APPLICABLE MUST REMAIN WITHIN DIMENSIONS			FIRST ANGLE PROJECTION	DRAWING	SERIES
				A3-SIZE	219560
			MATERIAL NUMBER	CUSTOMER	SHEET NUMBER
			219560	GENERAL MARKET	1 OF 1