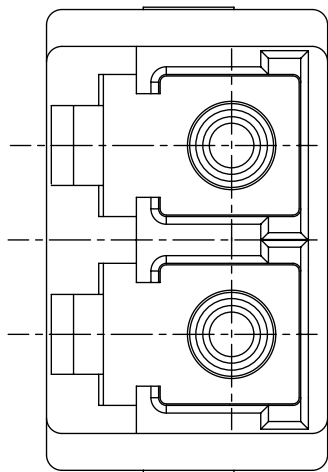
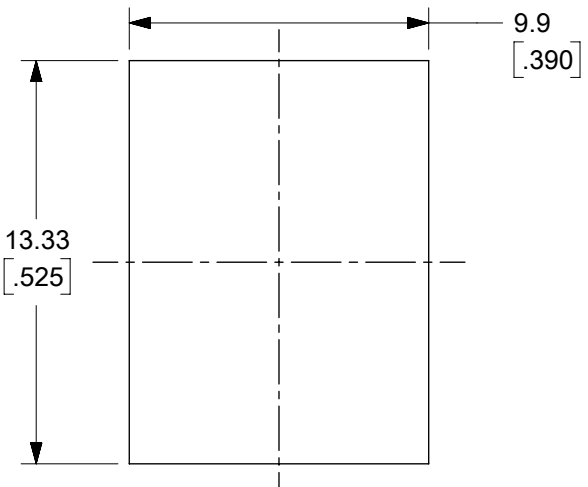
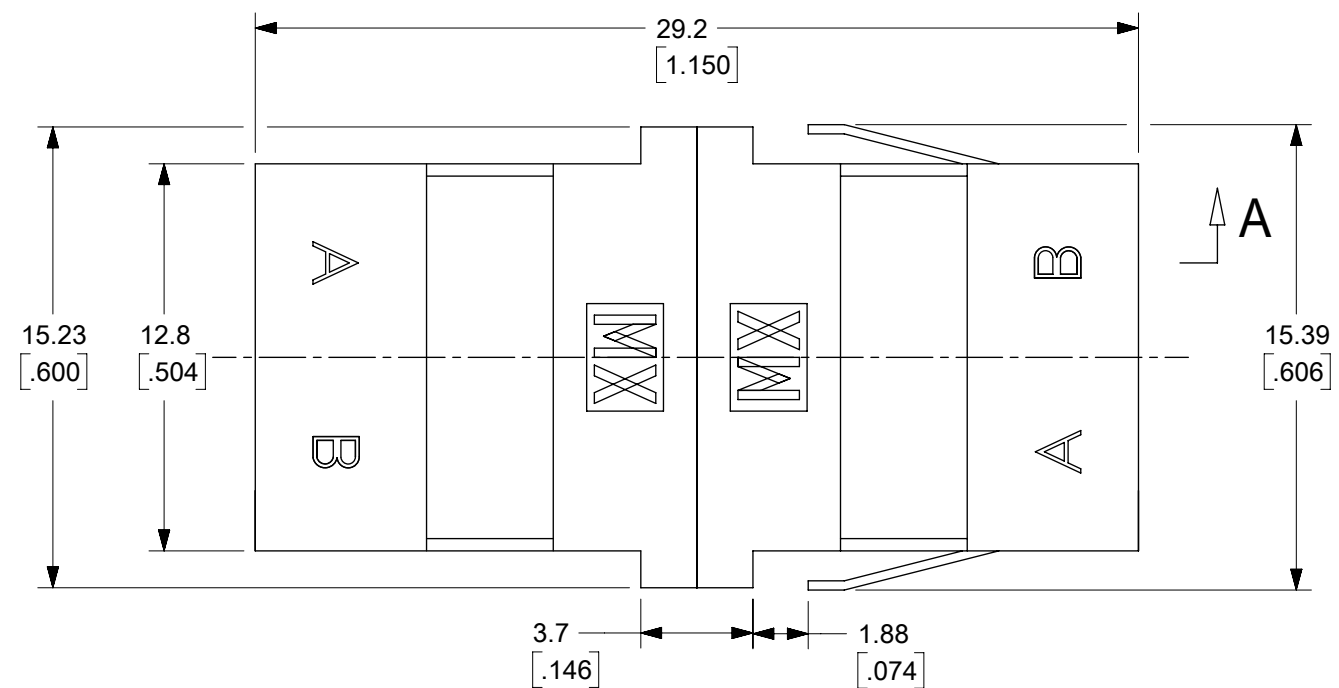


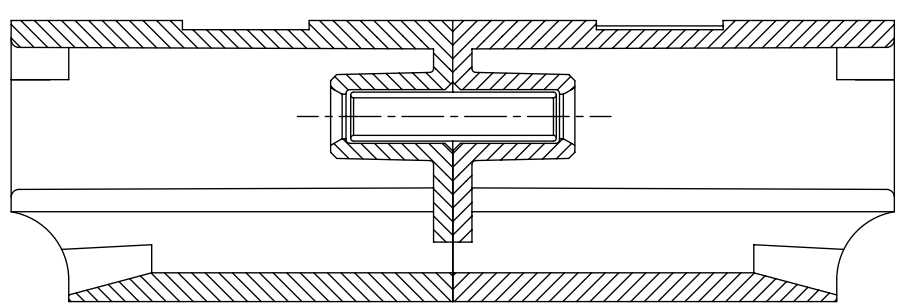
| LC ADAPTER ASSY.P/N | ADAPTER COLOR | SPLIT SLEEVE | DUST CAP COLOR |
|---------------------|---------------|--------------|---------------------------|
| 106126-0410 | BEIGE | ZR | WHITE |
| 106126-0510 | BLUE | | |
| 106126-1400 | | | |
| 106126-1415* | | | |
| 106126-1416** | | | |
| 106126-1450 | GREEN | | INDIGO BLUE (ANTI-STATIC) |
| 106126-1460 | BLUE | | WHITE |
| 106126-1410 | BLACK | | |
| 106126-1420 | BEIGE | | |
| 106126-1430 | AQUA | | |
| 106126-3410 | BLACK | | |



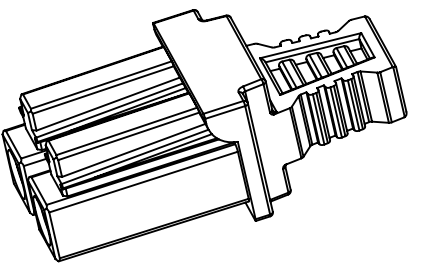
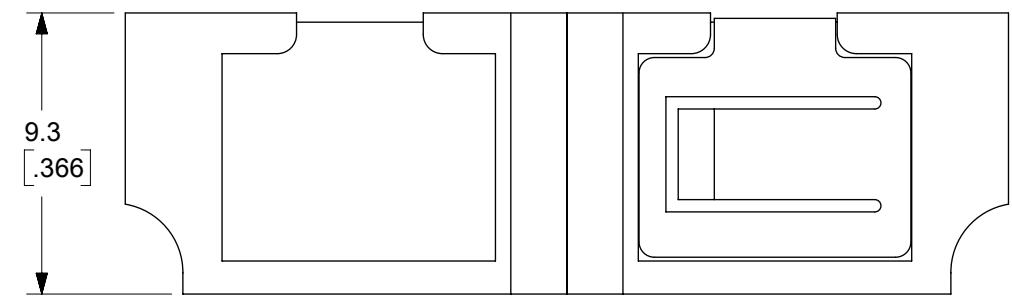
A ↑



RECOMMENDED MOUNTING CUTOUT FOR 0.063INCH(1.6MM) PANNEL



SECTION A-A



ISO VIEW FOR DUST CAP X2
SEE NOTE 2

- Notes:
- 1.ALL DIMENSIONS ARE FOR REFERENCE ONLY.
 - 2.DUST CAP NEED ASSEMBLY WITH ADAPTOR
 - *3. P/N 106126-1415 IS BULK PACKED IN QUANTITIES OF 100 PCS.
 - **4. P/N 106126-1416 IS BULK PACKED AS FOLLOWS: 500 pcs. OF ADAPTERS PER BAG.

| | | | | | | | | | |
|---|--|------------------------|--|---------------------------|--|----------------|--|-----------------|--|
| THIS DRAWING CONTAINS INFORMATION THAT IS PROPRIETARY TO MOLEX ELECTRONIC TECHNOLOGIES, LLC AND SHOULD NOT BE USED WITHOUT WRITTEN PERMISSION | | | | | | | | | |
| DIMENSION UNITS | | SCALE | | CURRENT REV DESC: | | | | | |
| HYBRID | | 1:1 | | | | | | | |
| GENERAL TOLERANCES (UNLESS SPECIFIED) | | | | EC NO: 703605 | | | | | |
| ANGULAR TOL ± 0.5° | | | | DRWN: JHUANG18 2022/04/01 | | | | | |
| 4 PLACES ± | | | | CHKD: IGUMIN 2022/05/05 | | | | | |
| 3 PLACES ± | | | | APPR: IGUMIN 2022/05/05 | | | | | |
| 2 PLACES ± | | | | INITIAL REVISION: | | | | | |
| 1 PLACE ± | | | | DRWN: PGIBLIN 2005/10/25 | | | | | |
| 0 PLACES ± | | | | APPR: IGUMIN 2005/10/26 | | | | | |
| DRAFT WHERE APPLICABLE MUST REMAIN WITHIN DIMENSIONS | | THIRD ANGLE PROJECTION | | DRAWING | | SERIES | | MATERIAL NUMBER | |
| | | | | B-SIZE | | 106126 | | SEE TABLE | |
| | | | | CUSTOMER | | GENERAL MARKET | | SHEET NUMBER | |
| | | | | | | | | 1 OF 1 | |

molex

LC DUPLEX ADAPTER
(SMALL FLANGE/SC FOOT PRINT)

PRODUCT CUSTOMER DRAWING

| | | | |
|-----------------|----------|----------|----------|
| DOCUMENT NUMBER | DOC TYPE | DOC PART | REVISION |
| SD-106126-X4X0 | PSD | 001 | F1 |