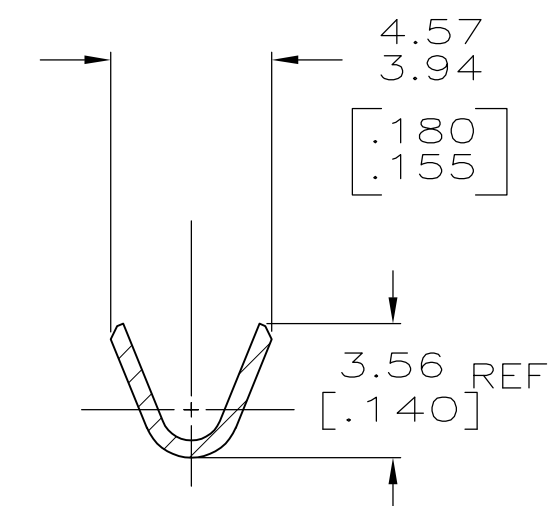
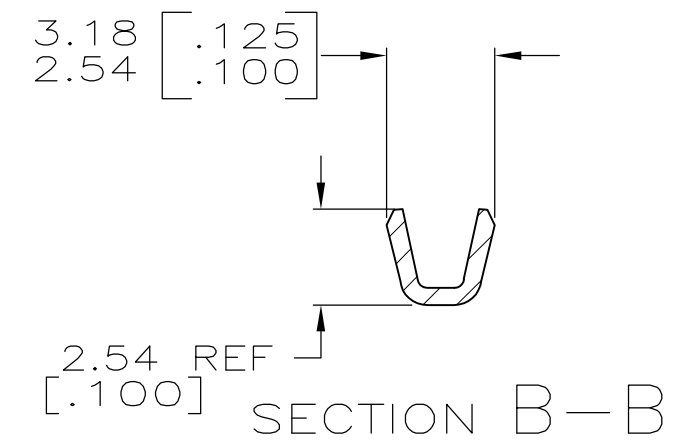
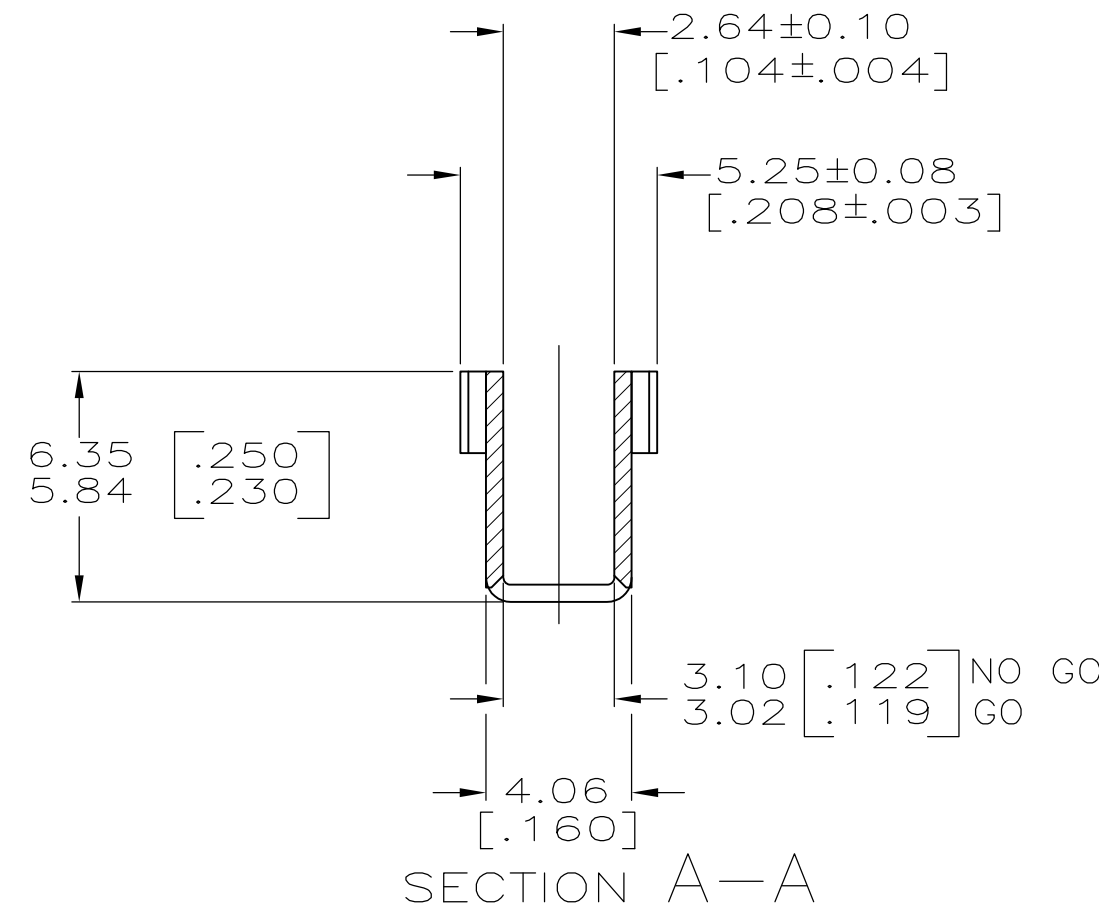
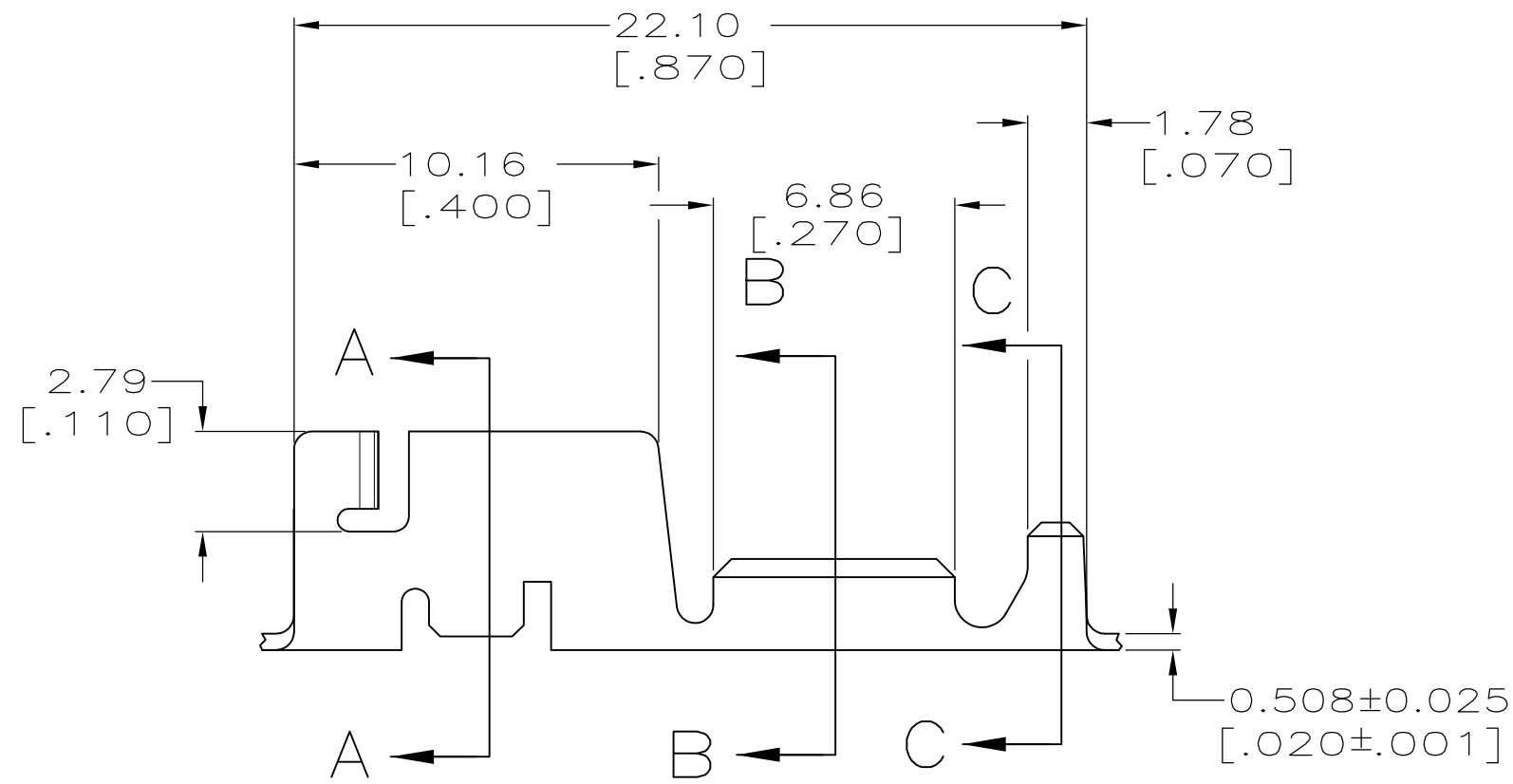
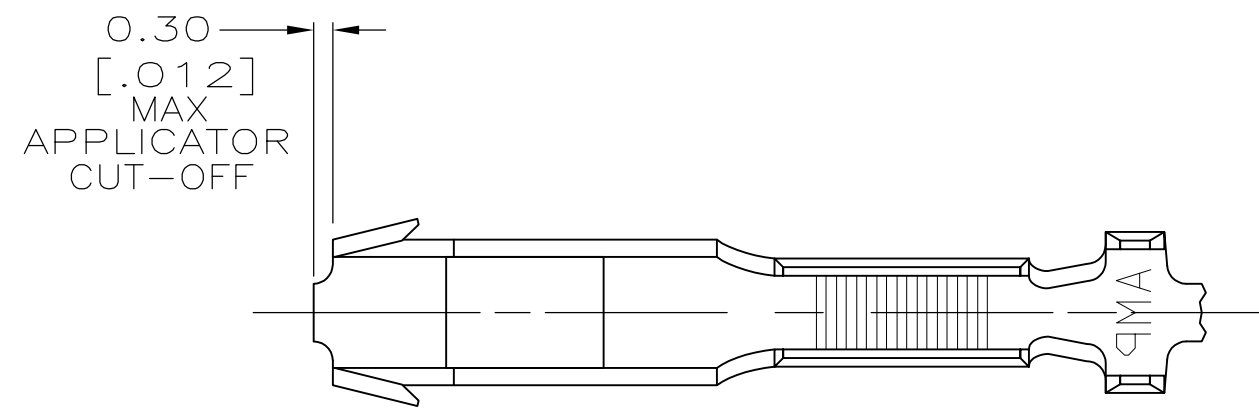


THIS DRAWING IS UNPUBLISHED. RELEASED FOR PUBLICATION
 © COPYRIGHT - By - ALL RIGHTS RESERVED.

LOC		DIST		REVISIONS			
P	LTR	DESCRIPTION		DATE	DWN	APVD	
AF	50	F		REVISED AS PER ECR-14-006300	28AUG2014	MKD	RRP

1 CONTINUOUS STRIP ON REELS WITH TERMINALS LOCATED ON 23.75 [.935] CENTERS.



1.52-2.54 DIA [.060-.100]	400-1600 CMA	1217172-1
INSULATION RANGE	WIRE RANGE	PART NUMBER

THIS DRAWING IS A CONTROLLED DOCUMENT.		DWN MICHAEL S. FEHER 29JUN1999	STE TE Connectivity			
DIMENSIONS: mm [INCHES]		CHK PETE DESANTIS 06JUL1999				
TOLERANCES UNLESS OTHERWISE SPECIFIED:		APVD PETE DESANTIS 06JUL1999	NAME RECEPTACLE, CLUSTER PIN, AMPLIVAR™, 3.18[.125] DIA			
0 PLC ± -		PRODUCT SPEC 108-2008	SIZE A2	CAGE CODE 00779	DRAWING NO C=1217172	RESTRICTED TO -
1 PLC ± -		APPLICATION SPEC 114-2019	SCALE 5:1	SHEET 1 of 1	REV F	
2 PLC ± 0.25 [.010]		MATERIAL H03 TIN-BRASS	CUSTOMER DRAWING			
3 PLC ± -		FINISH POST TIN				
4 PLC ± -						
ANGLES ± -						