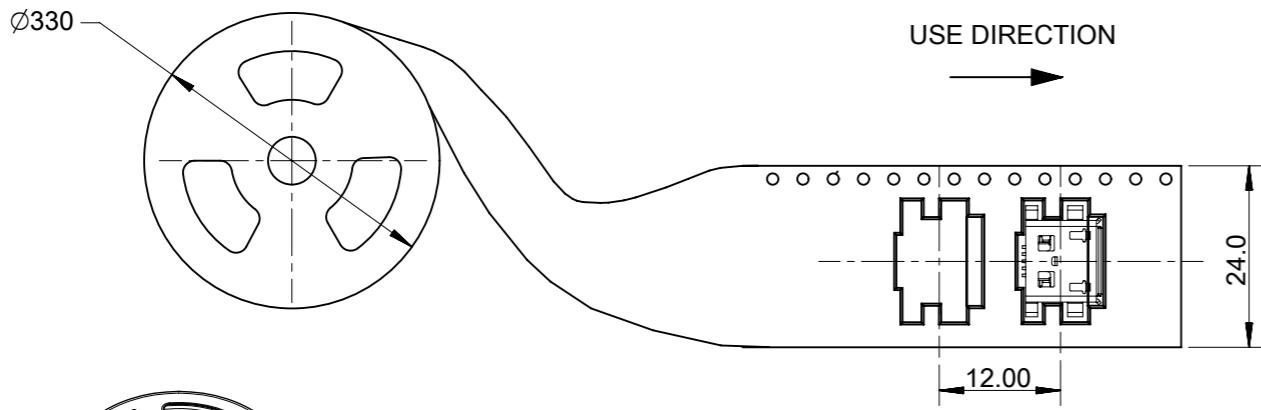


NOTES:

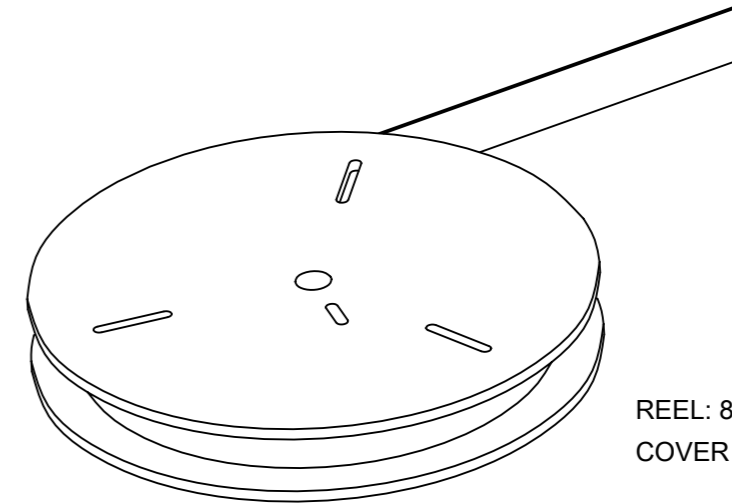
1. MATERIAL: 0.4±0.05 PSCR.
2. GENERAL TOLERANCE: ±0.20MM UNLESS OTHERWISE STATED.
3. DRAFT ANGLE: 5° MAX. TYP.
4. UNLESS OTHERWISE STATED, FORMING RADIUS:
0.5 MAX. TYP (OUTSIDE), 0.3 MAX. TYP (INSIDE).
5. MAXIMUM CUMULATIVE TOLERANCE FOR 10 SOCKETS HOLE PITCH: ±0.2
6. NO HIT MARKS, BRIDGES AND CRACKS ALLOWED.
7. CAMBERS DON'T EXCEED 1.0MM IN 100MM.
8. CARRIER TAPE PART NUMBER: 88596-0302.
9. COMPLIANT TO RoHS DIRECTIVE 2002/95/EC AND ELV DIRECTIVE 2000/53/EC.

FUNCTIONAL SYMBOLS	THIS DRAWING CONTAINS INFORMATION THAT IS PROPRIETARY TO MOLEX ELECTRONIC TECHNOLOGIES, LLC AND SHOULD NOT BE USED WITHOUT WRITTEN PERMISSION		CURRENT REV DESC: OBSOLETE PART NUMBER		molex			
	▽A = 0	mm	SCALE 1:1					
▽E = 0	GENERAL TOLERANCES (UNLESS SPECIFIED)				PACKAGING DRAWING FOR MICRO USB REC. MID MOUNT			
▽F = 0	ANGULAR TOL ± 2.0°							
DIVISIONAL SYMBOLS	4 PLACES	±	EC NO: 638770	2020/03/09	PACKAGING DESIGN DRAWING			
	3 PLACES	±	DRWN: VLOKESHA	2020/07/21				
	2 PLACES	± 0.25	CHK'D: GGA	2020/07/21				
	1 PLACE	± 0.25	APPR: GGA					
	0 PLACES	±	INITIAL REVISION:					
DRAFT WHERE APPLICABLE MUST REMAIN WITHIN DIMENSIONS		THIRD ANGLE PROJECTION	DRAWING	SERIES	DOCUMENT NUMBER	DOC TYPE	DOC PART	REVISION
		⊕	A3-SIZE	47642	PK-47642-001	PDD	001	G1
					SEE TABLE	GENERAL MARKET		1 OF 2

DOCUMENT STATUS	P1	RELEASE DATE	2020/07/21	04:42:05
-----------------	----	--------------	------------	----------



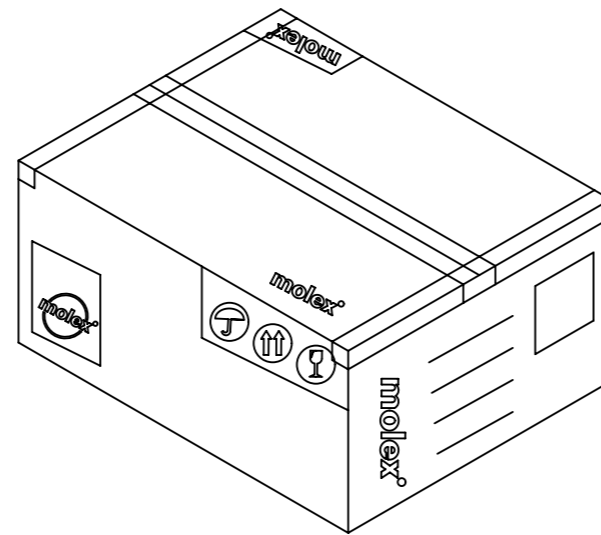
CARRIER TAPE: 88596-0302



REEL: 88596-3221
COVER TAPE: 89499-0121

NOTES:

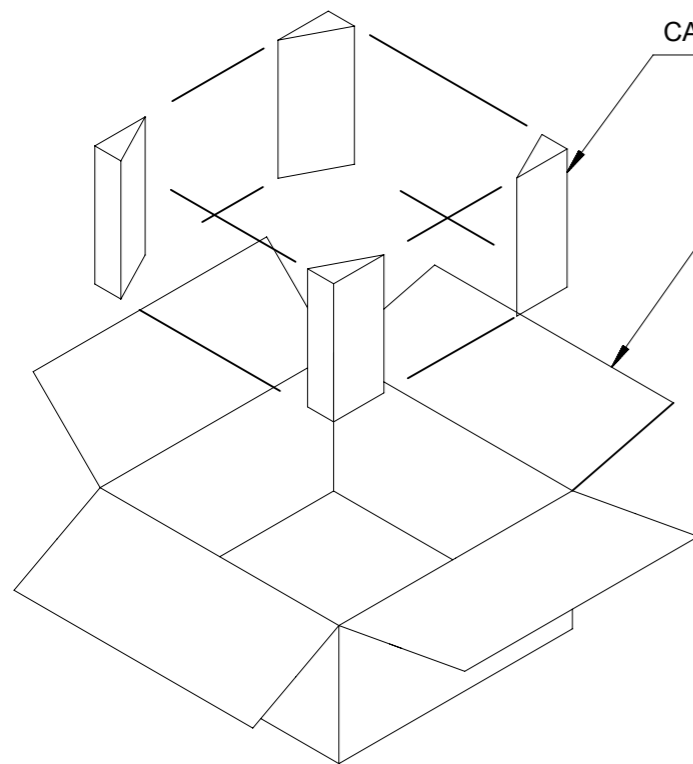
1. QUANTITY: 1,500PCS/REEL.
2. 5 REELS IN A CARTON.
3. COMPLIANT TO RoHS DIRECTIVE 2002/95/EC AND ELV DIRECTIVE 2000/53/EC.



CARD BOARD: 885960189

CARTON: 967070007

PART NUMBER	PARTS PER SHIPPING CARTON (S.P.Q)	PARTS PER REEL	TOTAL REELS PER CARTON
47642-0001	7,500PCS	1,500PCS	5
47642-1001	7,500PCS	1,500PCS	5
47642-1011	7,500PCS	1,500PCS	5
105193-0001	7,500PCS	1,500PCS	5
105193-1001	7,500PCS	1,500PCS	5
105193-1002	7,500PCS	1,500PCS	5
105193-9001	7,500PCS	1,500PCS	5
105248-0001	7,500PCS	1,500PCS	5
105248-1001	7,500PCS	1,500PCS	5
105248-1101	7,500PCS	1,500PCS	5
105248-1002	7,500PCS	1,500PCS	5



FUNCTIONAL SYMBOLS	THIS DRAWING CONTAINS INFORMATION THAT IS PROPRIETARY TO MOLEX ELECTRONIC TECHNOLOGIES, LLC AND SHOULD NOT BE USED WITHOUT WRITTEN PERMISSION		CURRENT REV DESC: OBSOLETE PART NUMBER		molex			
	THIS DRAWING CONTAINS INFORMATION THAT IS PROPRIETARY TO MOLEX ELECTRONIC TECHNOLOGIES, LLC AND SHOULD NOT BE USED WITHOUT WRITTEN PERMISSION	THIS DRAWING CONTAINS INFORMATION THAT IS PROPRIETARY TO MOLEX ELECTRONIC TECHNOLOGIES, LLC AND SHOULD NOT BE USED WITHOUT WRITTEN PERMISSION						THIS DRAWING CONTAINS INFORMATION THAT IS PROPRIETARY TO MOLEX ELECTRONIC TECHNOLOGIES, LLC AND SHOULD NOT BE USED WITHOUT WRITTEN PERMISSION
FUNCTIONAL SYMBOLS	THIS DRAWING CONTAINS INFORMATION THAT IS PROPRIETARY TO MOLEX ELECTRONIC TECHNOLOGIES, LLC AND SHOULD NOT BE USED WITHOUT WRITTEN PERMISSION	THIS DRAWING CONTAINS INFORMATION THAT IS PROPRIETARY TO MOLEX ELECTRONIC TECHNOLOGIES, LLC AND SHOULD NOT BE USED WITHOUT WRITTEN PERMISSION	THIS DRAWING CONTAINS INFORMATION THAT IS PROPRIETARY TO MOLEX ELECTRONIC TECHNOLOGIES, LLC AND SHOULD NOT BE USED WITHOUT WRITTEN PERMISSION	THIS DRAWING CONTAINS INFORMATION THAT IS PROPRIETARY TO MOLEX ELECTRONIC TECHNOLOGIES, LLC AND SHOULD NOT BE USED WITHOUT WRITTEN PERMISSION	PACKAGING DESIGN DRAWING			
FUNCTIONAL SYMBOLS	THIS DRAWING CONTAINS INFORMATION THAT IS PROPRIETARY TO MOLEX ELECTRONIC TECHNOLOGIES, LLC AND SHOULD NOT BE USED WITHOUT WRITTEN PERMISSION	THIS DRAWING CONTAINS INFORMATION THAT IS PROPRIETARY TO MOLEX ELECTRONIC TECHNOLOGIES, LLC AND SHOULD NOT BE USED WITHOUT WRITTEN PERMISSION	THIS DRAWING CONTAINS INFORMATION THAT IS PROPRIETARY TO MOLEX ELECTRONIC TECHNOLOGIES, LLC AND SHOULD NOT BE USED WITHOUT WRITTEN PERMISSION	THIS DRAWING CONTAINS INFORMATION THAT IS PROPRIETARY TO MOLEX ELECTRONIC TECHNOLOGIES, LLC AND SHOULD NOT BE USED WITHOUT WRITTEN PERMISSION	DOCUMENT NUMBER	DOC TYPE	DOC PART	REVISION
FUNCTIONAL SYMBOLS	THIS DRAWING CONTAINS INFORMATION THAT IS PROPRIETARY TO MOLEX ELECTRONIC TECHNOLOGIES, LLC AND SHOULD NOT BE USED WITHOUT WRITTEN PERMISSION	THIS DRAWING CONTAINS INFORMATION THAT IS PROPRIETARY TO MOLEX ELECTRONIC TECHNOLOGIES, LLC AND SHOULD NOT BE USED WITHOUT WRITTEN PERMISSION	THIS DRAWING CONTAINS INFORMATION THAT IS PROPRIETARY TO MOLEX ELECTRONIC TECHNOLOGIES, LLC AND SHOULD NOT BE USED WITHOUT WRITTEN PERMISSION	THIS DRAWING CONTAINS INFORMATION THAT IS PROPRIETARY TO MOLEX ELECTRONIC TECHNOLOGIES, LLC AND SHOULD NOT BE USED WITHOUT WRITTEN PERMISSION	PK-47642-001	PDD	001	G1
FUNCTIONAL SYMBOLS	THIS DRAWING CONTAINS INFORMATION THAT IS PROPRIETARY TO MOLEX ELECTRONIC TECHNOLOGIES, LLC AND SHOULD NOT BE USED WITHOUT WRITTEN PERMISSION	THIS DRAWING CONTAINS INFORMATION THAT IS PROPRIETARY TO MOLEX ELECTRONIC TECHNOLOGIES, LLC AND SHOULD NOT BE USED WITHOUT WRITTEN PERMISSION	THIS DRAWING CONTAINS INFORMATION THAT IS PROPRIETARY TO MOLEX ELECTRONIC TECHNOLOGIES, LLC AND SHOULD NOT BE USED WITHOUT WRITTEN PERMISSION	THIS DRAWING CONTAINS INFORMATION THAT IS PROPRIETARY TO MOLEX ELECTRONIC TECHNOLOGIES, LLC AND SHOULD NOT BE USED WITHOUT WRITTEN PERMISSION	MATERIAL NUMBER	CUSTOMER	SHEET NUMBER	
FUNCTIONAL SYMBOLS	THIS DRAWING CONTAINS INFORMATION THAT IS PROPRIETARY TO MOLEX ELECTRONIC TECHNOLOGIES, LLC AND SHOULD NOT BE USED WITHOUT WRITTEN PERMISSION	THIS DRAWING CONTAINS INFORMATION THAT IS PROPRIETARY TO MOLEX ELECTRONIC TECHNOLOGIES, LLC AND SHOULD NOT BE USED WITHOUT WRITTEN PERMISSION	THIS DRAWING CONTAINS INFORMATION THAT IS PROPRIETARY TO MOLEX ELECTRONIC TECHNOLOGIES, LLC AND SHOULD NOT BE USED WITHOUT WRITTEN PERMISSION	THIS DRAWING CONTAINS INFORMATION THAT IS PROPRIETARY TO MOLEX ELECTRONIC TECHNOLOGIES, LLC AND SHOULD NOT BE USED WITHOUT WRITTEN PERMISSION	SEE TABLE	GENERAL MARKET	2 OF 2	