

REVISIONS				
P	LTR	DESCRIPTION	DATE	APVD
	C	REVISED PER ECN-22-142121	08APR2022	LN RL

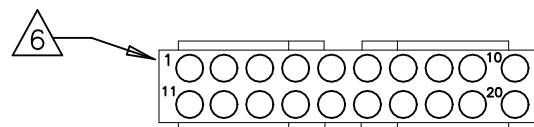
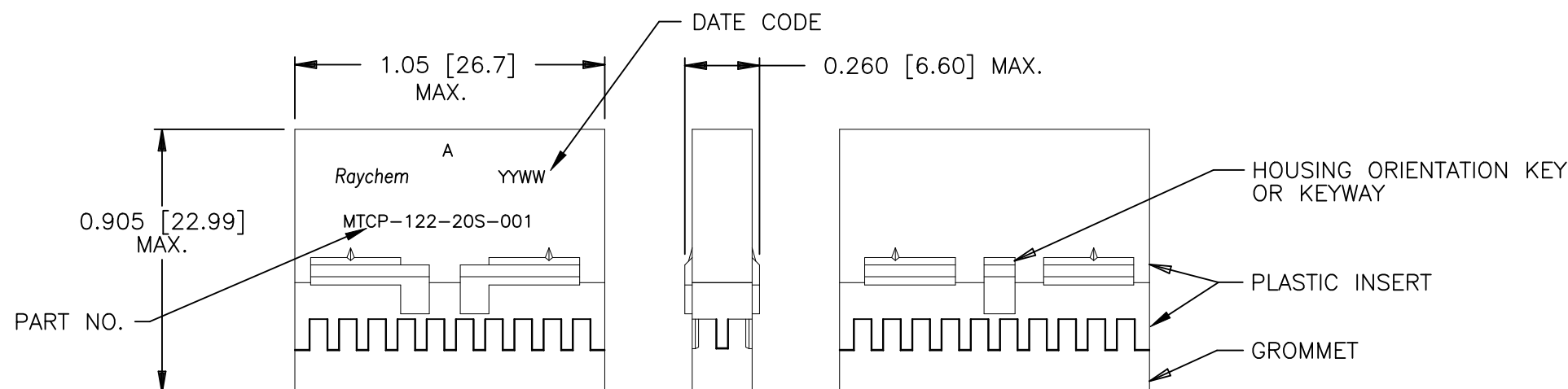
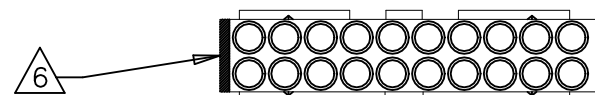
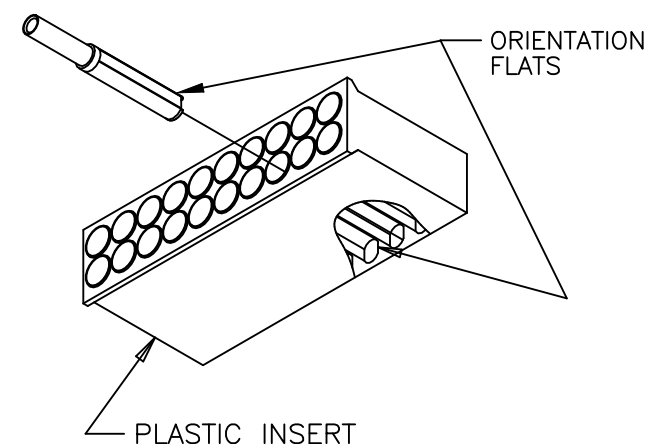
NOTES:

- THIS INSERT IS DESIGNED FOR USE IN TYCO/RAYCHEM CONNECTOR HOUSING MTC100-JH1-XXX. (SEE TYCO/RAYCHEM INFORMATION DRAWING D-659-0097 AND HOUSING SPECIFICATION CONTROL DRAWINGS FOR FURTHER DETAILS).
- PART DESCRIBED HEREON IS SUPPLIED AS SHOWN. REFER TO TYCO/RAYCHEM INFORMATION DRAWING D-659-0097 FOR CRIMP TOOLS OR ADDITIONAL CONTACTS, SEALING PLUGS OR TOOLS.
- GROMMET DESIGNED TO SEAL ON WIRES HAVING AN INSULATION DIAMETER OF 0.030 TO 0.065.
- PERFORMANCE:
THIS PRODUCT IS DESIGNED TO MEET THE APPLICABLE REQUIREMENTS OF RAYCHEM SPECIFICATION C-6115.

5. MATERIALS:

- A) PLASTIC INSERT HIGH GRADE POLYARYLENE THERMOPLASTIC
- B) GROMMET FLUOROSILICONE PER MIL-R-25988
- C) RETENTION CLIPS (20) (INSIDE PLASTIC INSERT) BERYLLIUM COPPER 172 PER QQ-C-533 OR 301 STAINLESS STEEL PER TEC-100-309 SPECIAL TEMPER

6 NUMBER ONE (1) AND ELEVEN (11) CAVITIES ARE MARKED IN CONTRASTING COLOR. PART NUMBER, RAYCHEM, A AND DATE CODE ARE STAMPED APPROXIMATELY AS SHOWN.



THIS DRAWING IS A CONTROLLED DOCUMENT.		DWN ZS.ORBAN 29SEP2003	TE Connectivity		
DIMENSIONS: INCHES		CHK -			
		TOLERANCES UNLESS OTHERWISE SPECIFIED:		APVD M.HIGGY 29SEP2003	SIZE A3
		0 PLC ± - 1 PLC ± - 2 PLC ± - 3 PLC ± - 4 PLC ± - ANGLES ± -		PRODUCT SPEC -	
MATERIAL -		FINISH -		APPLICATION SPEC -	CAGE CODE 00779
				WEIGHT 0.0067 lbs	DRAWING NO C-MTCP-122-20S-001
CUSTOMER DRAWING				SCALE 1:1	SHEET 1 OF 1
				RESTRICTED TO -	REV C