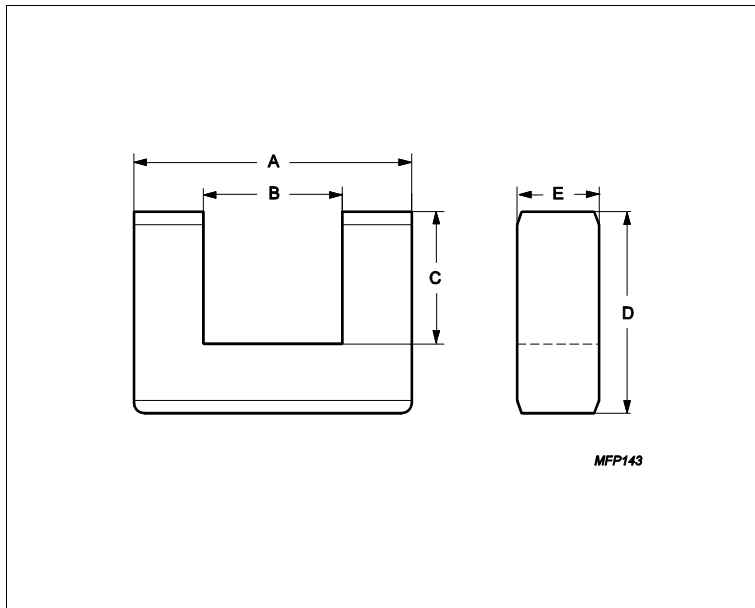


Core **U80/65/32**



Effective parameters			
	Parameter	Value	Unit
$\Sigma(I/A)$	core factor (C1)	0.439	mm ⁻¹
Ve	effective volume	219000	mm ³
Le	effective length	310	mm
Ae	effective area	706	mm ²
Amin	minimum area	704	mm ²
m	U80/65/32	≈ 560	g/pcs

Dimensions for product: U80/65/32

	Nom	Tol +	Tol -	Max	Min	Unit
A	79.80	1.80	1.80	81.60	78.00	mm
B	35.20	1.20	1.20	36.40	34.00	mm
C	42.40	0.90	0.90	43.30	41.50	mm
D	64.60	0.50	0.50	65.10	64.10	mm
E	31.70	0.70	0.70	32.40	31.00	mm

Inductance factor

Material	Value	Tol +	Tol -	Unit
3C90	6000	25%	25%	nH/turns ²

Power loss: 3C90

Measuring conditions			Max	Unit
25 kHz	200 mT	100 °C	33.000	W/set

Bsat

Measuring conditions			Material	Min	Unit
25 kHz	250 A/m	100 °C	3C90	320	mT