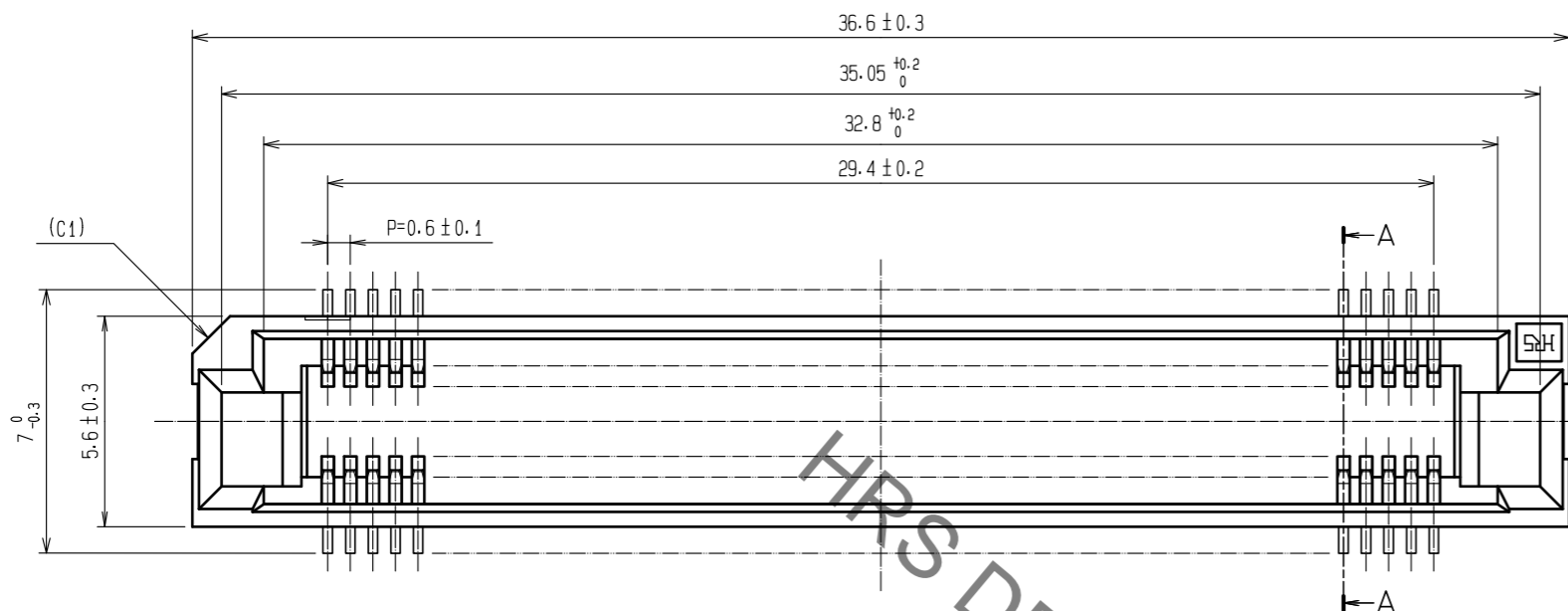
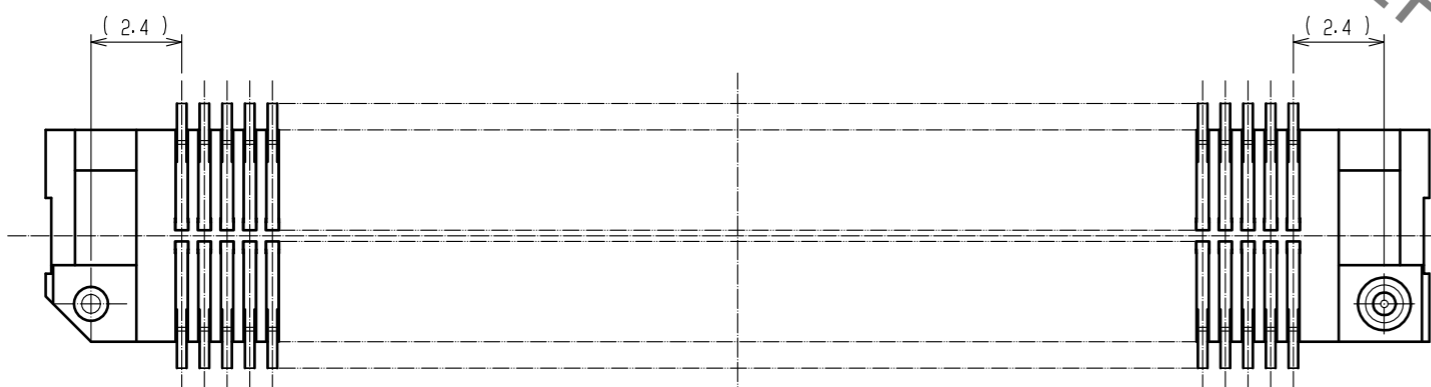
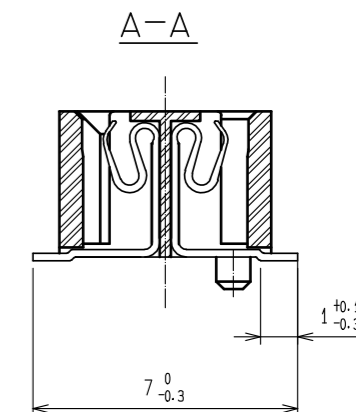
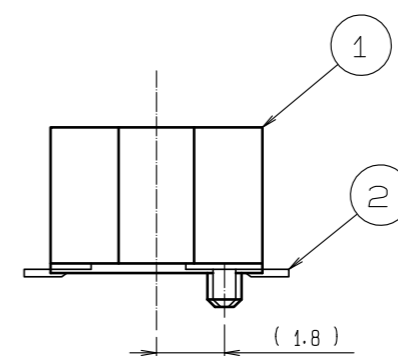
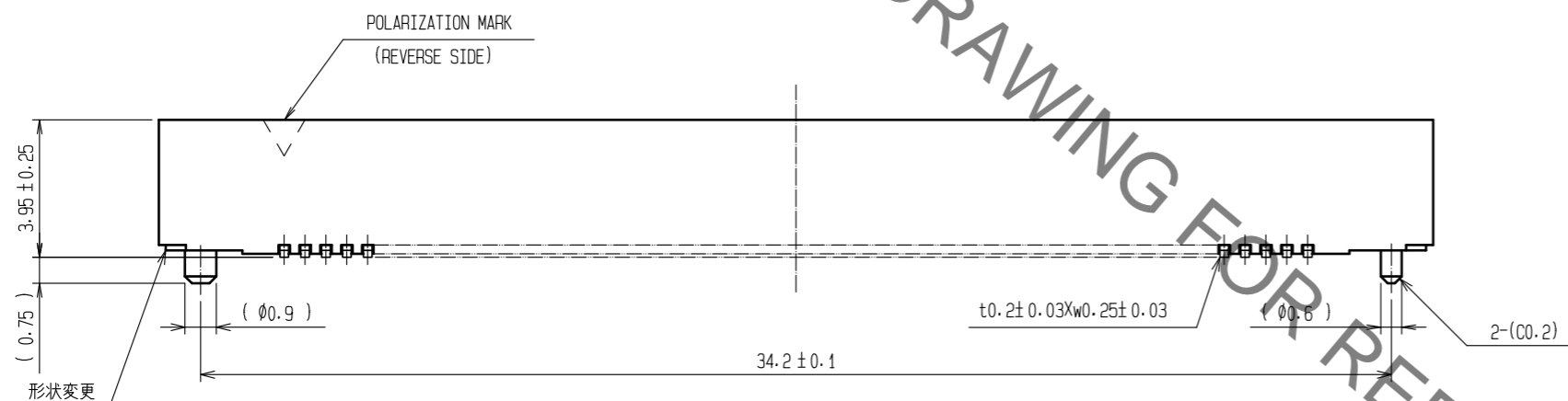
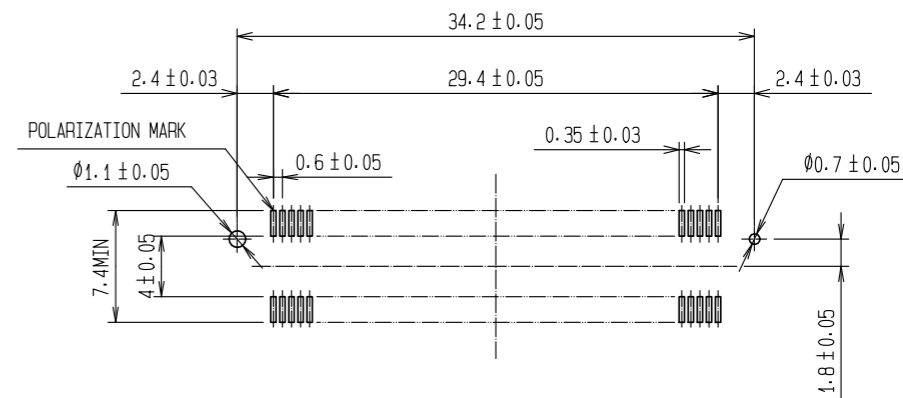


May.1.2023 Copyright 2023 HIROSE ELECTRIC CO., LTD. All Rights Reserved.  
In case of consideration for using Automotive equipment / device which demand high reliability, kindly contact our sales window correspondents.



RECOMMENDED LAND PATTERN DIMENSION OF PCB (MOUNTING SIDE) (2:1)

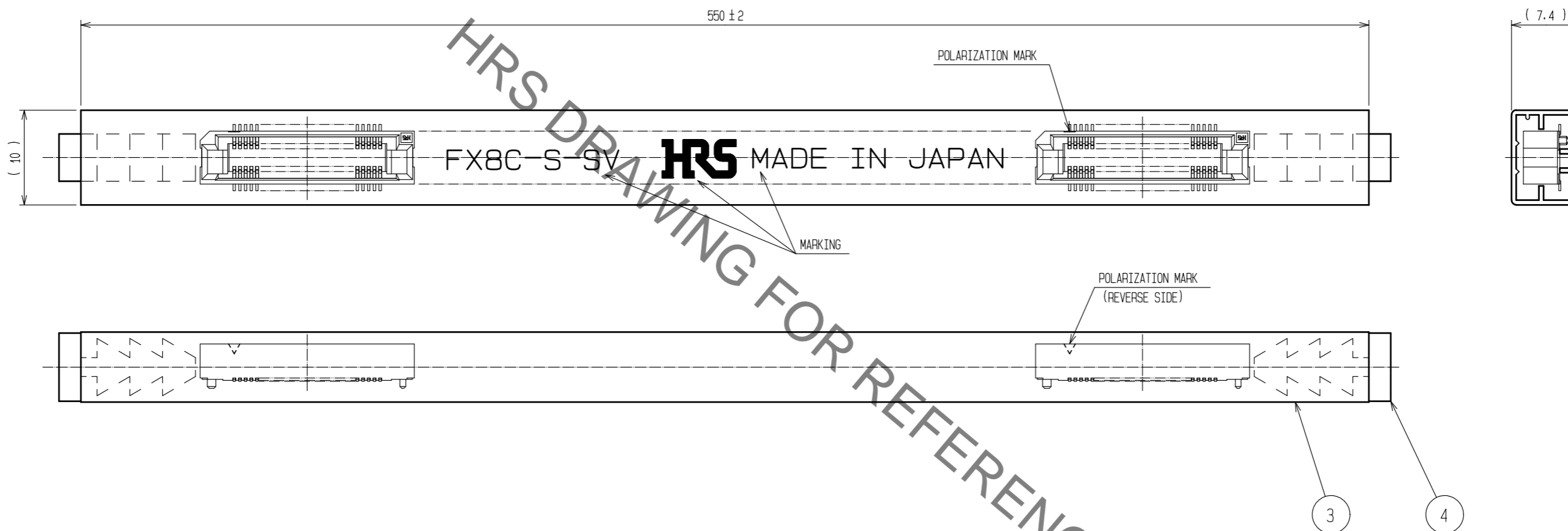


- NOTE 1. LEAD CO-PLANARITY SHALL BE 0.1mm MAX.  
 2. TUBE PACKAGING SHALL BE APPLIED FOR THIS PRODUCT. SEE NEXT PAGE FOR DETAILS.  
 3. FOR MODIFICATION, ETC., PREVENTIVE HOLE FOR SINK MARK MAY BE ADDED ACCORDING TO CIRCUMSTANCES.  
 4. THE DIMENSIONS IN PARENTHESES ARE FOR REFERENCE.

2	PHOSPHOR BRONZE	CONTACT AREA:GOLD 0.1μm min.						
		LEAD AREA:GOLD FLASH						
		UNDER PLATING:NICKEL 1.5μm min.						
1	POLYPHENYLENE SULFIDE	LIGHT BROWN (UL94V-0)	4	ELASTOMERS	STOPPER			
			3	POLYVINYL CHLORIDE	TUBE			
NO.	MATERIAL	FINISH . REMARKS	NO.	MATERIAL	FINISH . REMARKS			
UNITS mm		SCALE 5 : 1	COUNT 	DESCRIPTION OF REVISIONS		DESIGNED	CHECKED	DATE
<b>HRS</b> HIROSE ELECTRIC CO., LTD.		APPROVED : NH. NAKATA	18.02.28	DRAWING NO.		EDC-150883-68-00		
		CHECKED : HT. YAMAGUCHI	18.02.28	PART NO.		FX8C-100S-SV(68)		
		DESIGNED : TY. EDAGAWA	18.02.28	CODE NO.		CL578-0805-3-68		
		DRAWN : MK. INOUE	18.02.23			1/2		

May.1.2023 Copyright 2023 HIROSE ELECTRIC CO., LTD. All Rights Reserved.  
In case of consideration for using Automotive equipment / device which demand high reliability, kindly contact our sales window correspondents.

DRAWING FOR PACKING(FREE)



NOTE 1. 1 TUBE : 14 CONNECTORS.  
2. THE DIMENSIONS IN PARENTHESES ARE FOR REFERENCE.

<b>HRS</b>	DRAWING NO.	EDC-150883-68-00
	PART NO.	FX8C-100S-SV(68)
	CODE NO.	CL578-0805-3-68
		2/2