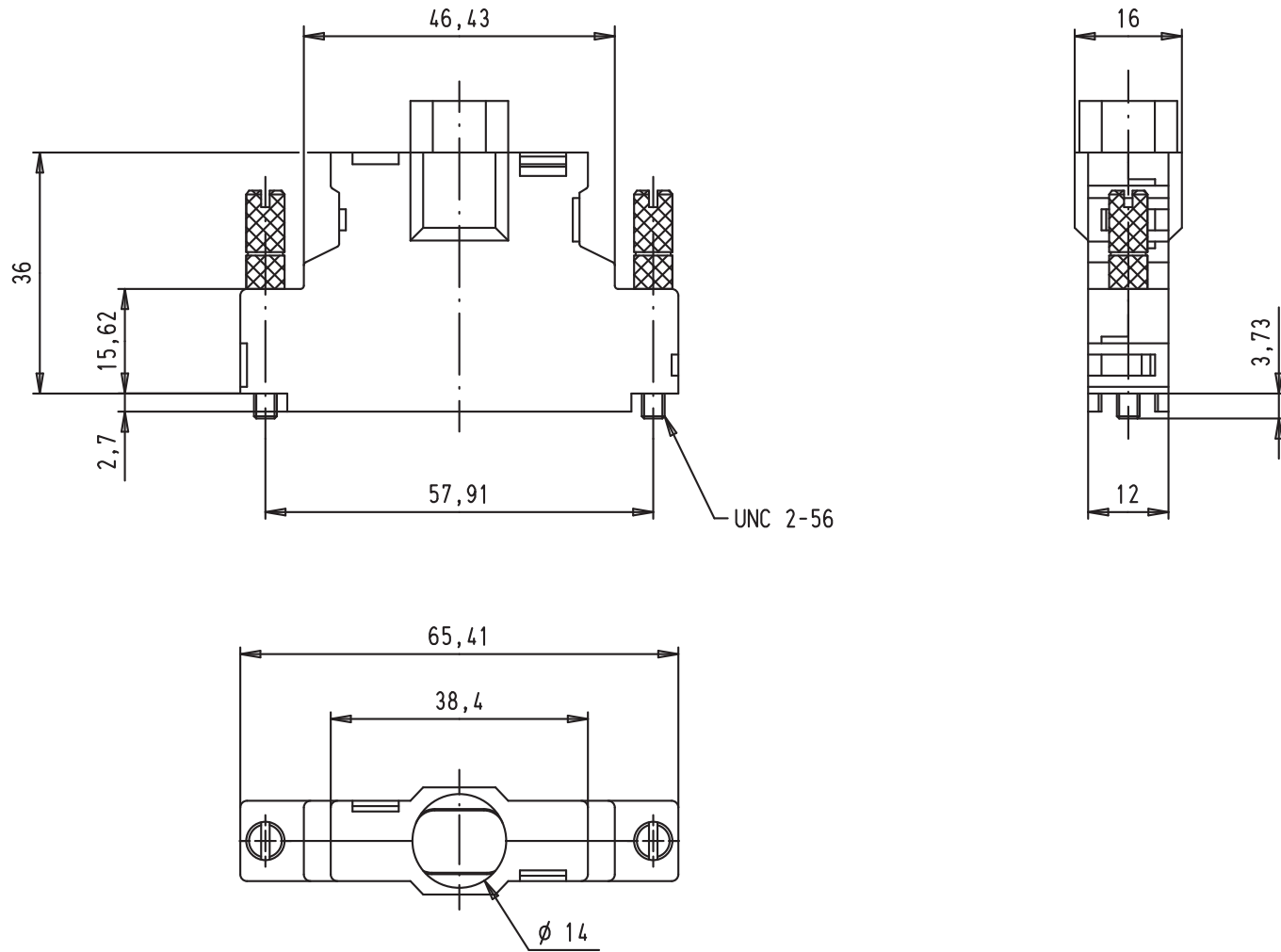




Alle Rechte vorbehalten/ All rights reserved



				Dat.	Name	 All Dim. in mm Orig. Size DIN A 4	Har-mik Plastic hood with metal insert for IDC pin/socket connector with 2-56 UNC jack screws	Maßstab/ Scale
			Detail.	04/08/06	PK			1:1
			Insp.					
			Stand.					Blatt/ Page
35278	28/08/08	PK	HARTING EURL				TB 60 03 068 0143	1
33790	04/08/06	PK	F-95972 Paris					1
Mod.	Dat.	Name						1