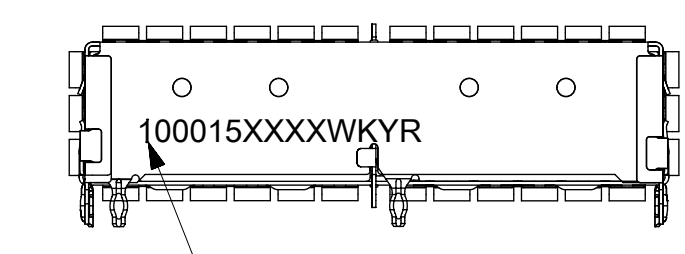
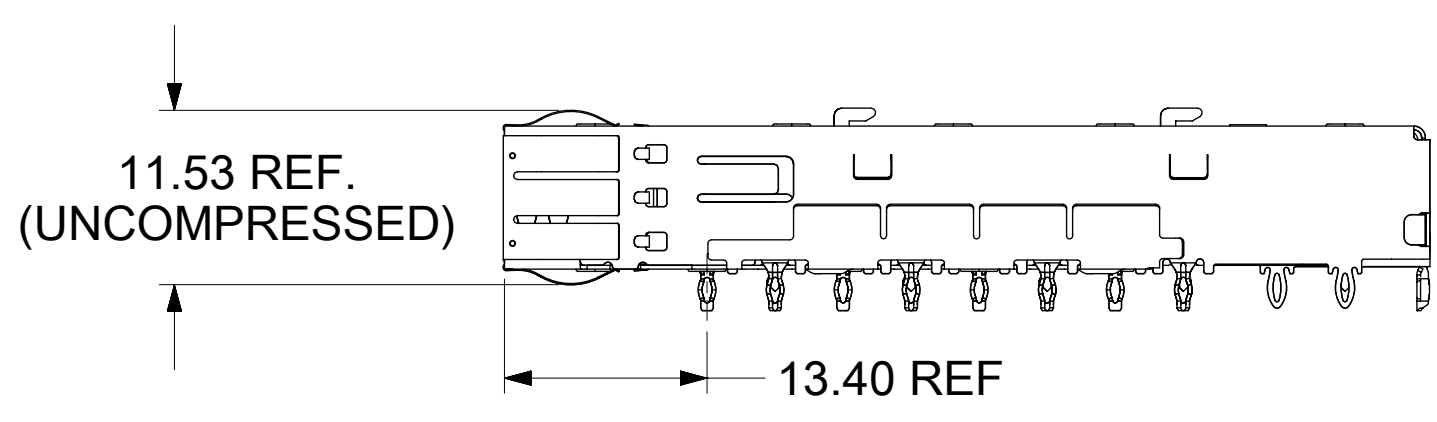
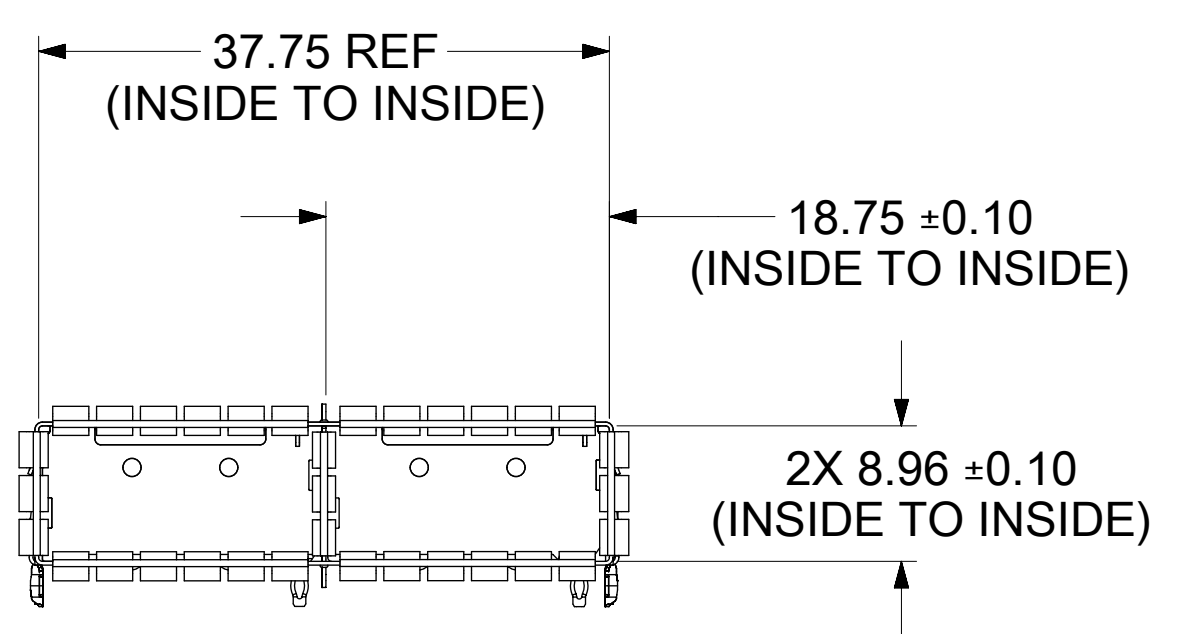
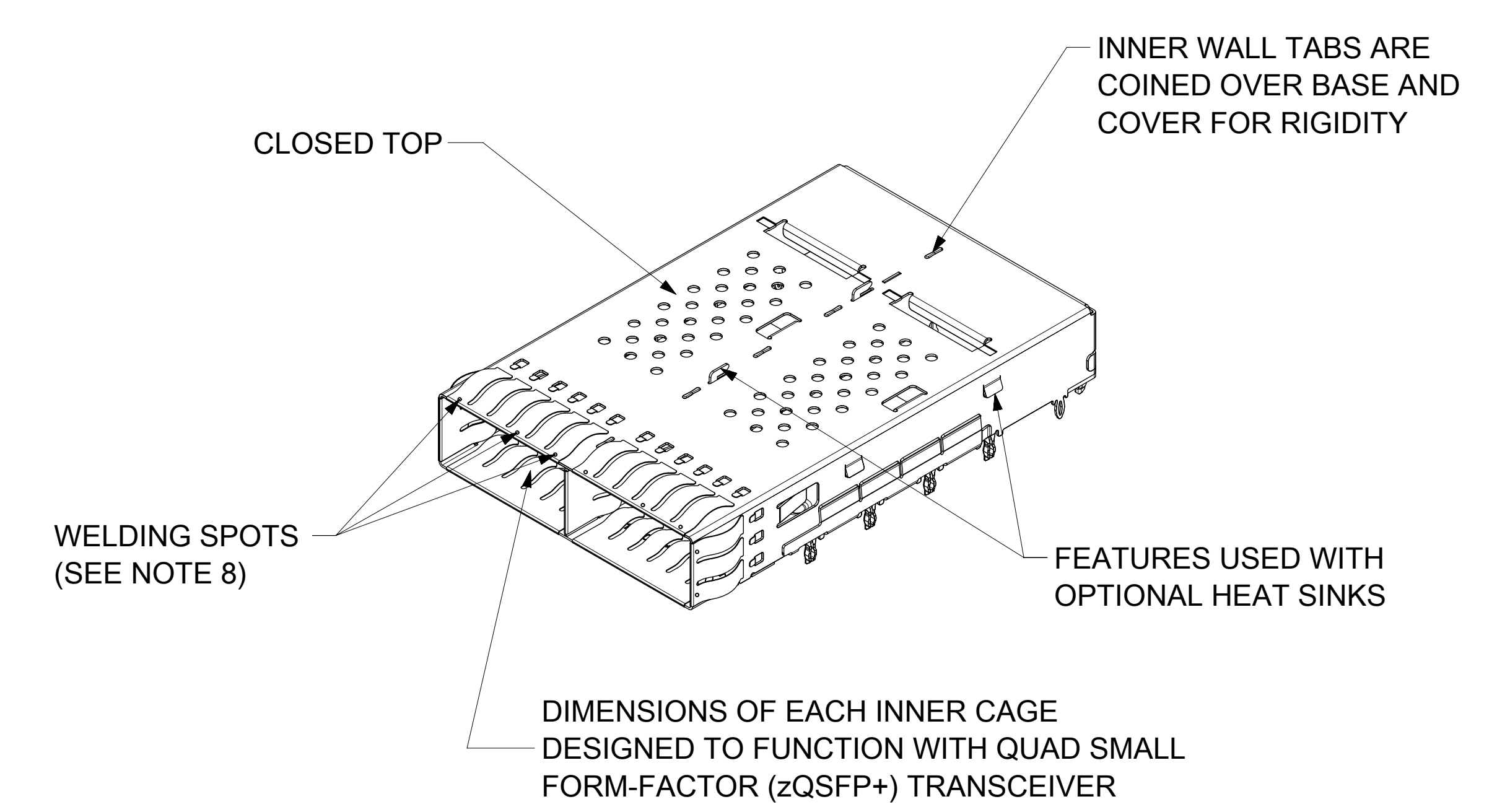
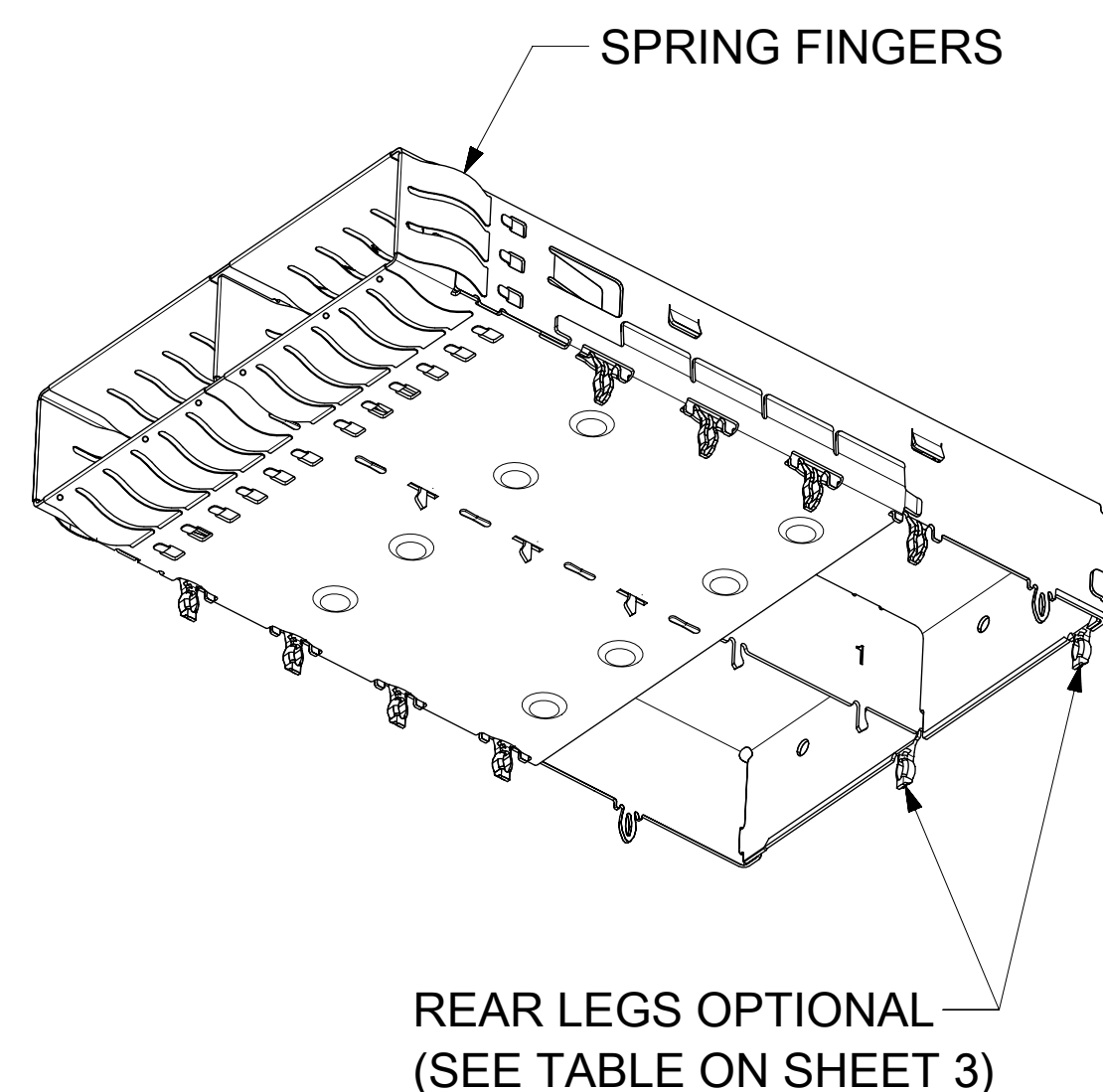
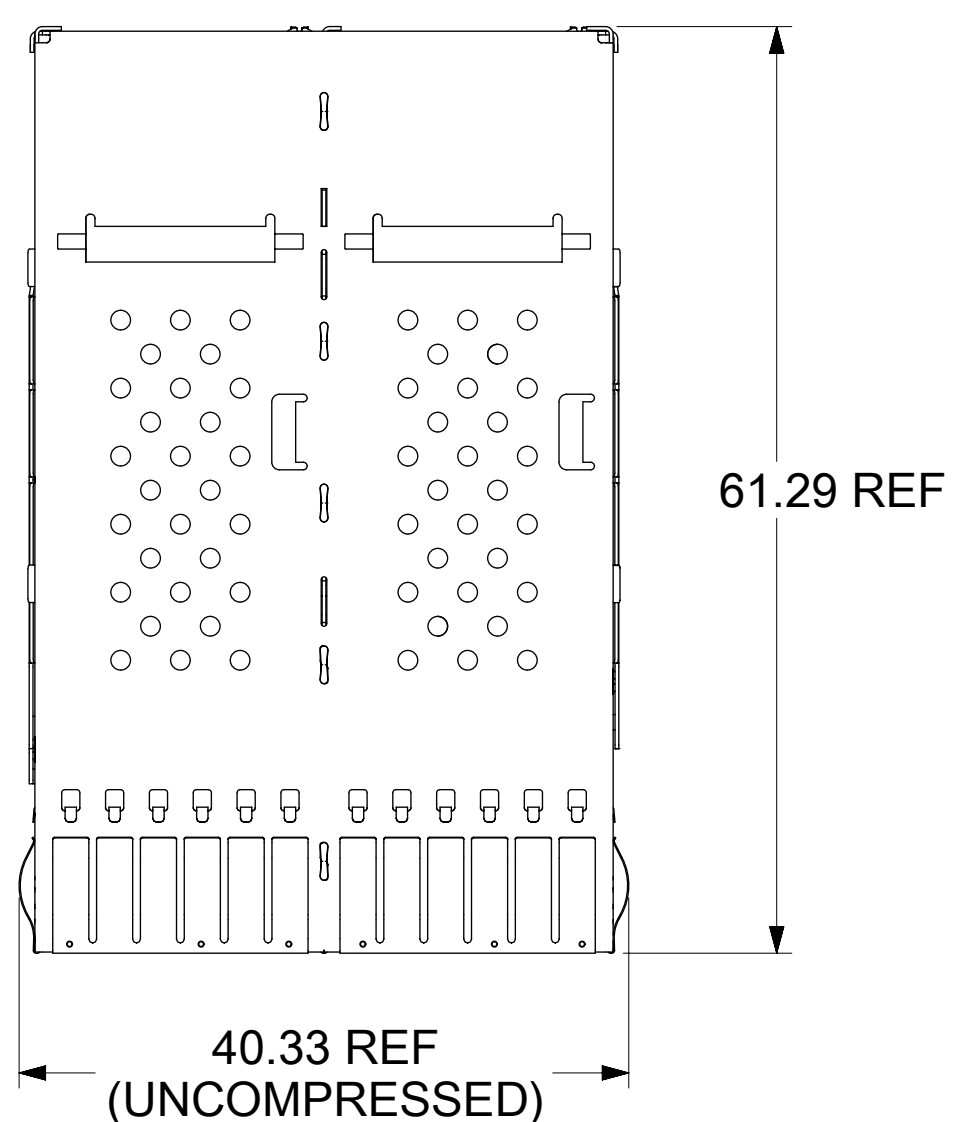


# BASIC CAGE DETAILS

1000159242 SHOWN



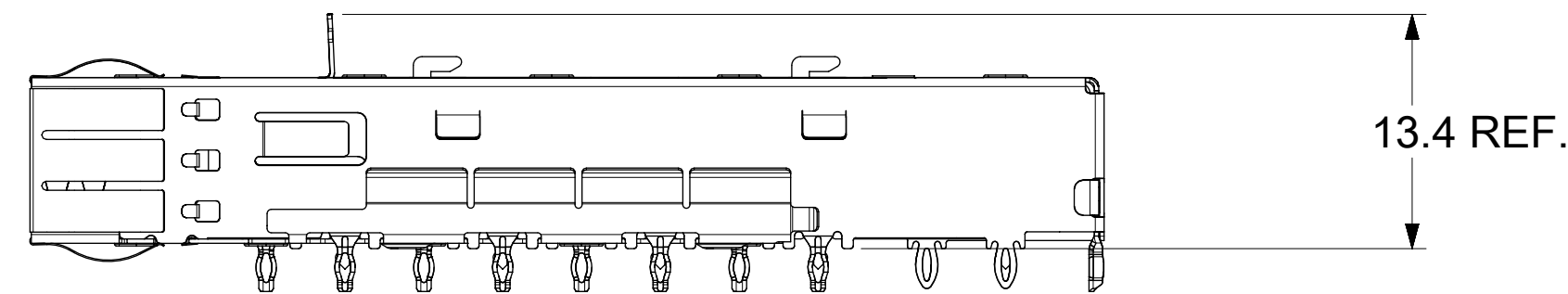
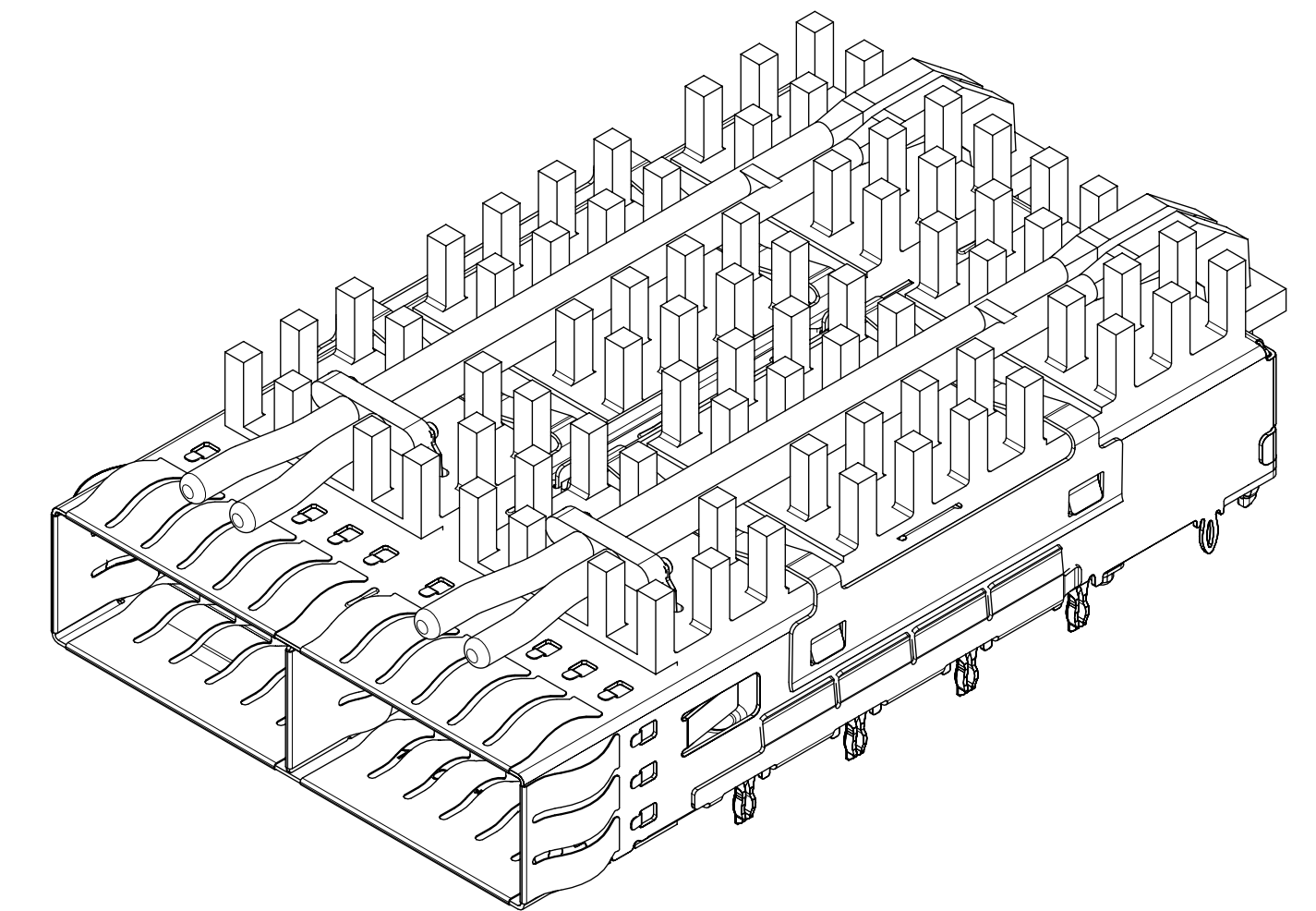
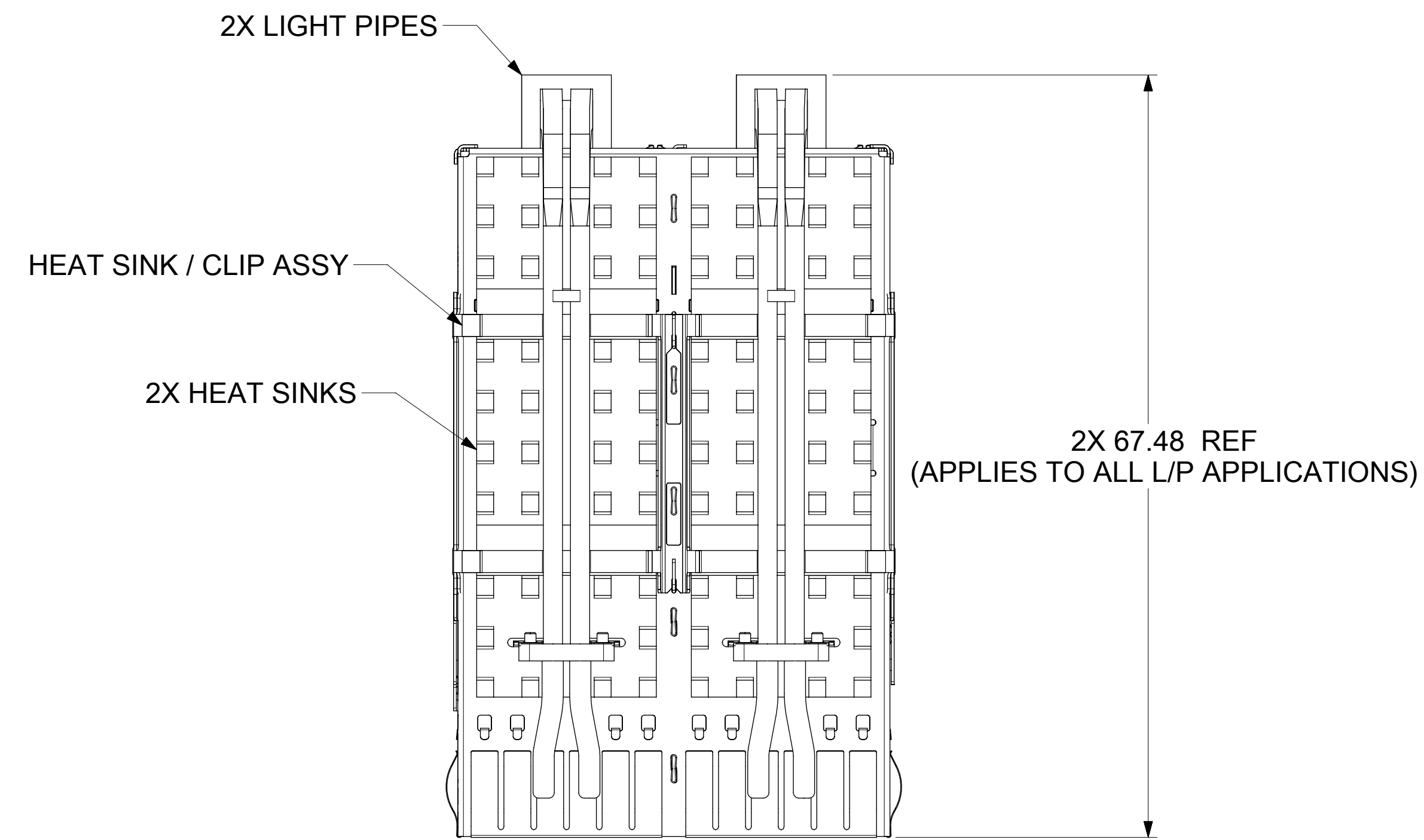
- NOTES:
- MATERIAL: CAGE: STAINLESS STEEL  
 CENTER WALLS: STAINLESS STEEL  
 SPRING FINGERS: STAINLESS STEEL  
 HEAT SINKS: NICKEL PLATED ALUMINUM  
 HEAT SINK CLIP: STAINLESS STEEL  
 LIGHT PIPES: POLYCARBONATE (UL 94V-0)
  - DRAWING APPLIES TO ALL P/N'S SHOWN ON PAGE 3
  - DURING FINAL INSPECTION, CAGE LEG LOCATIONS AND STRAIGHTNESS MUST BE CHECKED USING APPROPRIATE GO - NO GO GAGE
  - DURING FINAL INSPECTION, CAGE MUST BE INSPECTED TO MAKE SURE LEG CONFIGURATIONS AND PART NUMBERS ARE CORRECT, USE SHEETS 3, 4 AND 5
  - PARTS TO BE INSPECTED PER MOLEX COSMETIC SPEC WI-HP-7-2774 (CLASS B UNLESS OTHERWISE SPECIFIED)
  - PRESS-FIT LEGS 2.44 LONG -  
 1.57 MINIMUM PCB THICKNESS FOR SINGLE SIDED USE.  
 2.70 MINIMUM PCB THICKNESS FOR BELLY TO BELLY USE.
  - NO RoHS EXEMPTIONS
  - WELD SPOTS MAY SHOW SLIGHT MATERIAL DISCOLORATION

WEEK/YEAR DATE CODE TABLE	
WK	WEEK OF THE YEAR 01 THRU 52 (EXAMPLE: 01= FIRST WEEK OF YEAR 52= LAST WEEK OF YEAR)
YR	22, 23, 24 ETC.. (EXAMPLE: YEAR 2022= 22)

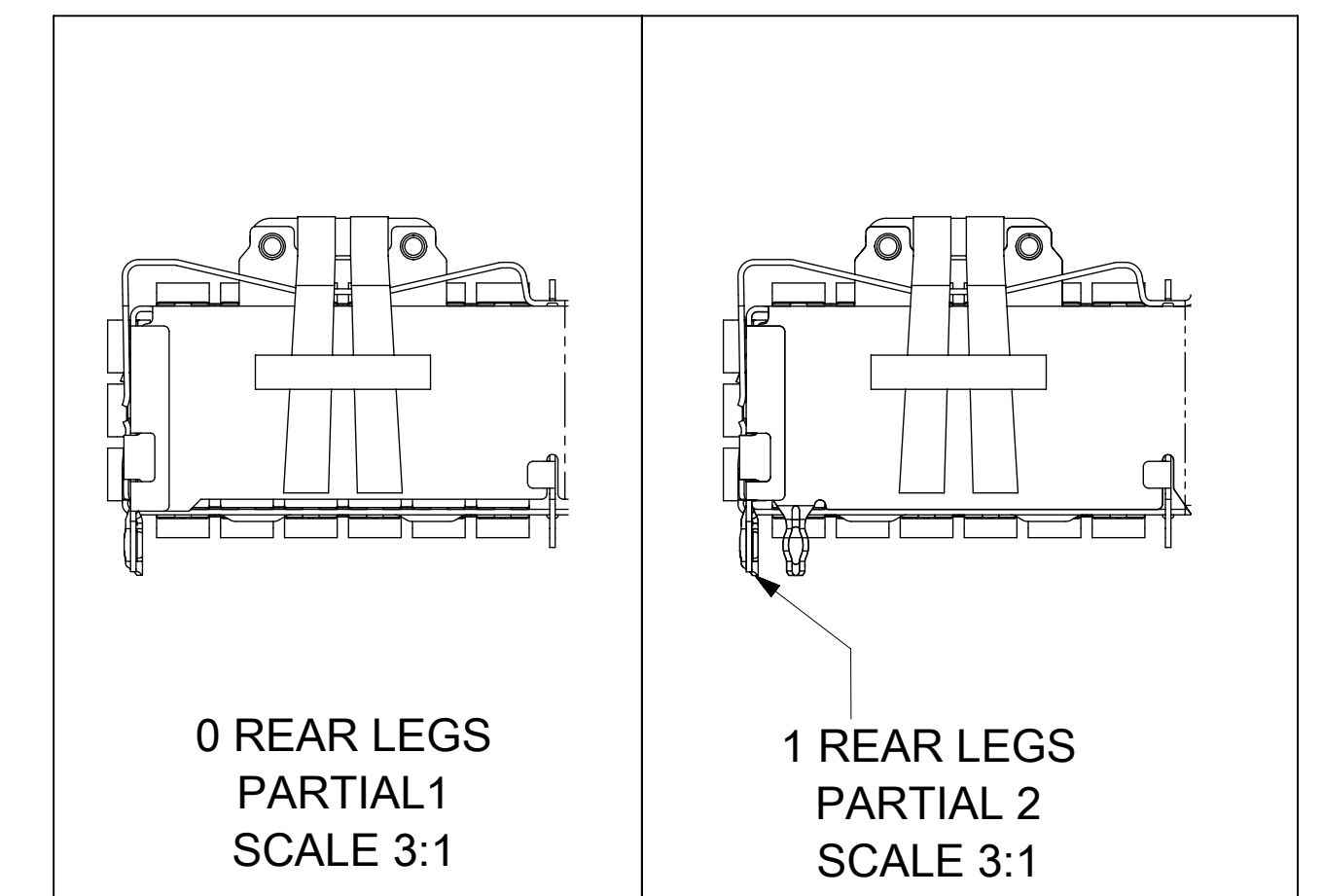
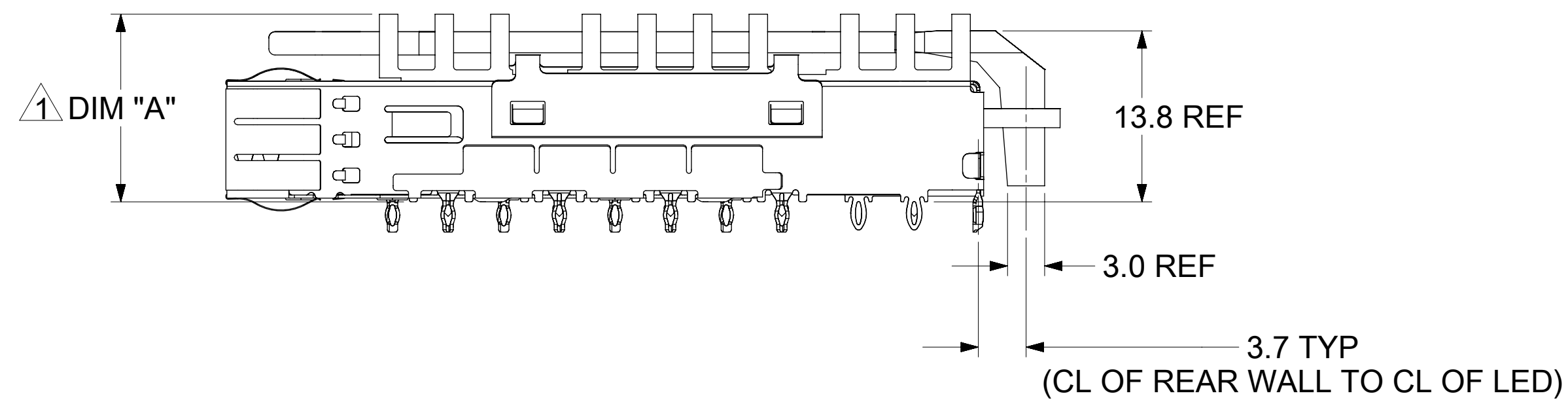
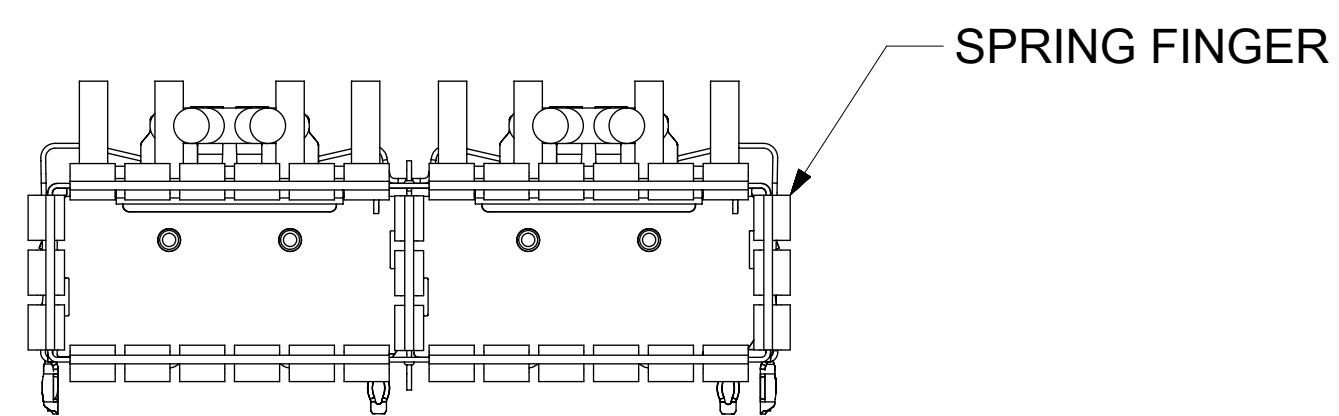
FUNCTIONAL SYMBOLS		THIS DRAWING CONTAINS INFORMATION THAT IS PROPRIETARY TO MOLEX ELECTRONIC TECHNOLOGIES, LLC AND SHOULD NOT BE USED WITHOUT WRITTEN PERMISSION		CURRENT REV DESC: SEE REV TABLE			
FA = 0	mm	SCALE	2:1	GENERAL TOLERANCES (UNLESS SPECIFIED)			
FC = 0		ANGULAR TOL ± 2.0°		4 PLACES ±		EC NO: 698869	
FD = 0		3 PLACES ±		2 PLACES ± 0.13		DRWN: VISHNM2 2022/02/17	
DIVISIONAL SYMBOLS		1 PLACE ± 0.25		0 PLACES ±		CHK'D: TKUMARKC 2022/03/16	
DRAFT WHERE APPLICABLE MUST REMAIN WITHIN DIMENSIONS		THIRD ANGLE PROJECTION		DRAWING		SERIES	
		D-SIZE		100015		INITIAL REVISION: DRWN: VISHNM2 2022/02/17 APPR: JCHIANG 2022/03/21	
DOCUMENT STATUS		P1		RELEASE DATE		2022/03/21 05:07:54	
DOCUMENT NUMBER		1000153200		DOC TYPE		PSD ASY A	
MATERIAL NUMBER		SEE P/N TABLE		CUSTOMER		GENERAL MARKET	
SHEET NUMBER		1 OF 7					

# CAGE ASSEMBLY OPTIONS

1000159544 SHOWN



## REAR LEG OPTIONS

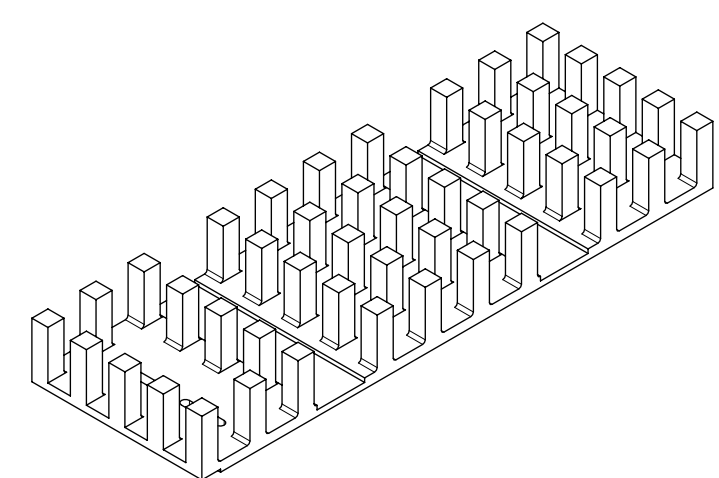


## HEATSINK HEIGHT OPTIONS

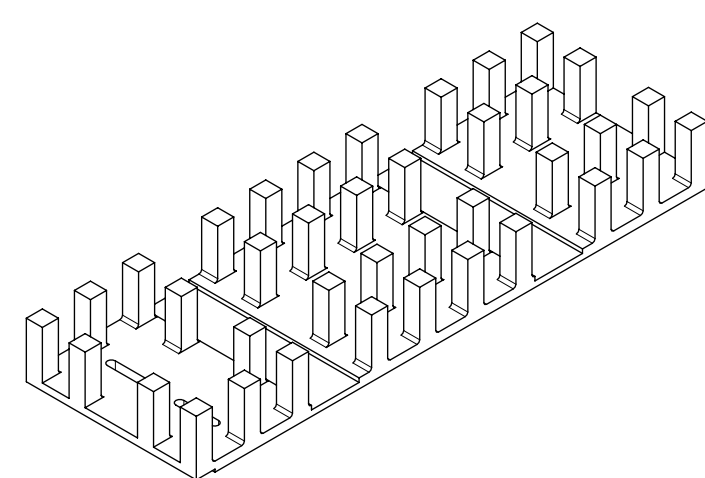
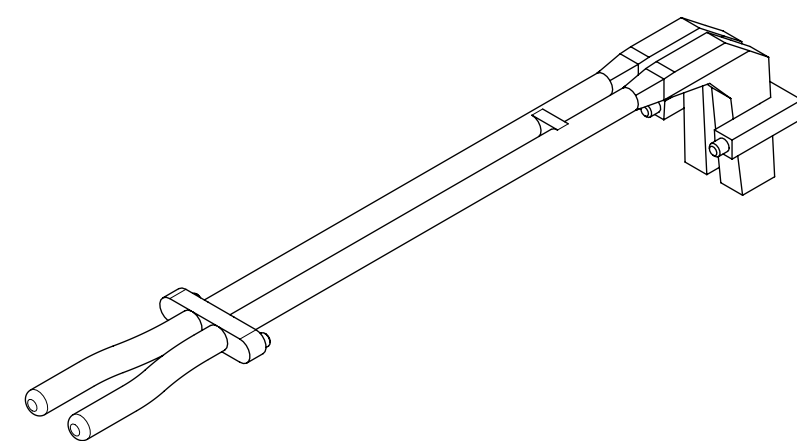
OVERALL HEAT SINK HEIGHT	DIM "A"
PCI	13.7 REF
SAN	16.0 REF
NET	23.0 REF

NOTE:  
 ▲ HEIGHT OF HEAT SINK WITH MODULE INSERTED.  
 DIMENSION MAY BE LESS DUE TO MODULE AND HEAT SINK VARIATIONS

HEATSINK USED WITHOUT LIGHTPIPE

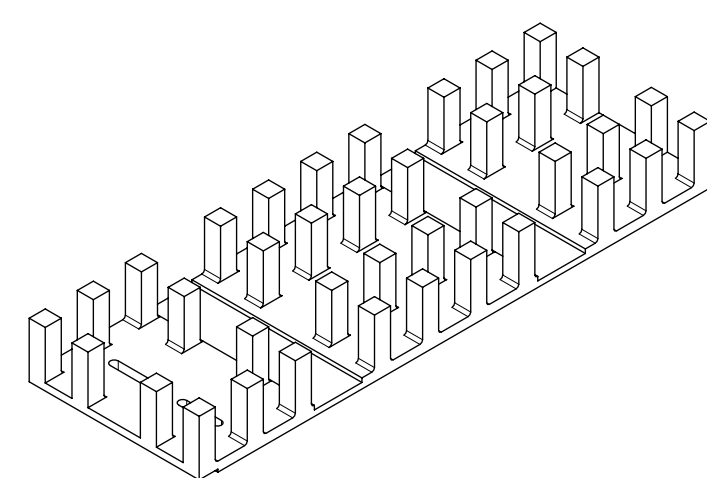
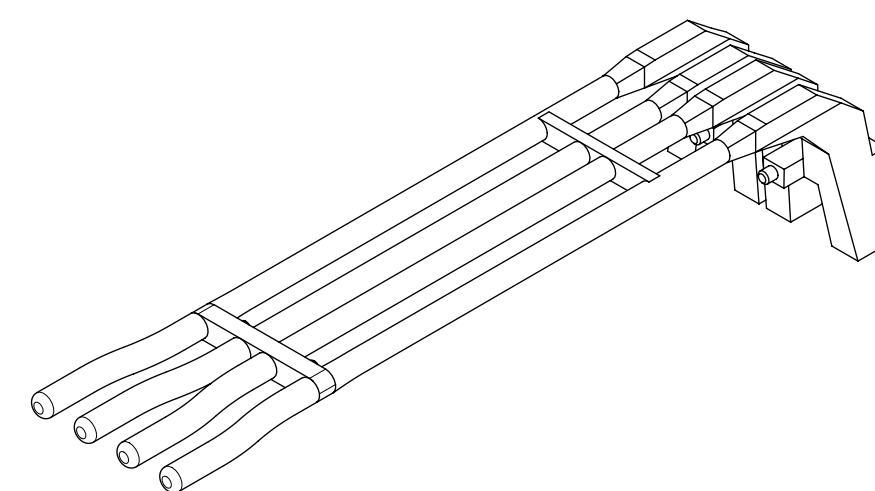


DUAL LIGHT PIPE



HEATSINK

QUAD LIGHT PIPE



HEATSINK

FUNCTIONAL SYMBOLS FA = 0 FE = 0 FP = 0 DIVISIONAL SYMBOLS	THIS DRAWING CONTAINS INFORMATION THAT IS PROPRIETARY TO MOLEX ELECTRONIC TECHNOLOGIES, LLC AND SHOULD NOT BE USED WITHOUT WRITTEN PERMISSION		CURRENT REV DESC: SEE REV TABLE	
	DIMENSION UNITS	SCALE	EC NO: 698869	
	mm	2:1	DRWN: VISHNM2	2022/02/17
	GENERAL TOLERANCES (UNLESS SPECIFIED)		CHK'D: TKUMARKC	2022/03/16
ANGULAR TOL ± 2.0°		APPR: JCHIANG	2022/03/21	
4 PLACES ±		INITIAL REVISION:		
3 PLACES ±		DRWN: VISHNM2	2022/02/17	
2 PLACES ± 0.13		APPR: JCHIANG	2022/03/21	
1 PLACE ± 0.25		THIRD ANGLE PROJECTION		
0 PLACES ±		DRAWING	SERIES	
DRAFT WHERE APPLICABLE MUST REMAIN WITHIN DIMENSIONS		D-SIZE	100015	
MATERIAL NUMBER		CUSTOMER	SHEET NUMBER	
SEE P/N TABLE		GENERAL MARKET	2 OF 7	

**molex**

ZQSFP+ 1X2 GANGED CAGE ASSY'S W/ SS TAB TYPE SPRING FINGER, H/S & L/P OPTIONS

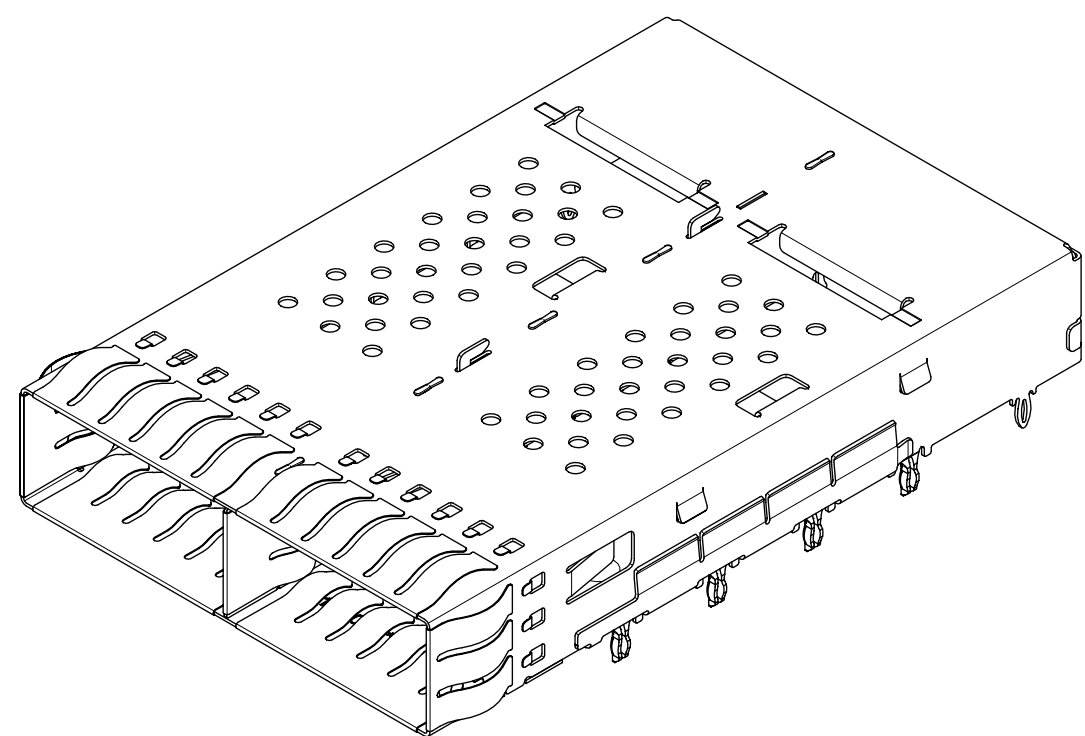
PRODUCT CUSTOMER DRAWING

DOCUMENT NUMBER DOC TYPE DOC PART REVISION

1000153200 PSD ASY A

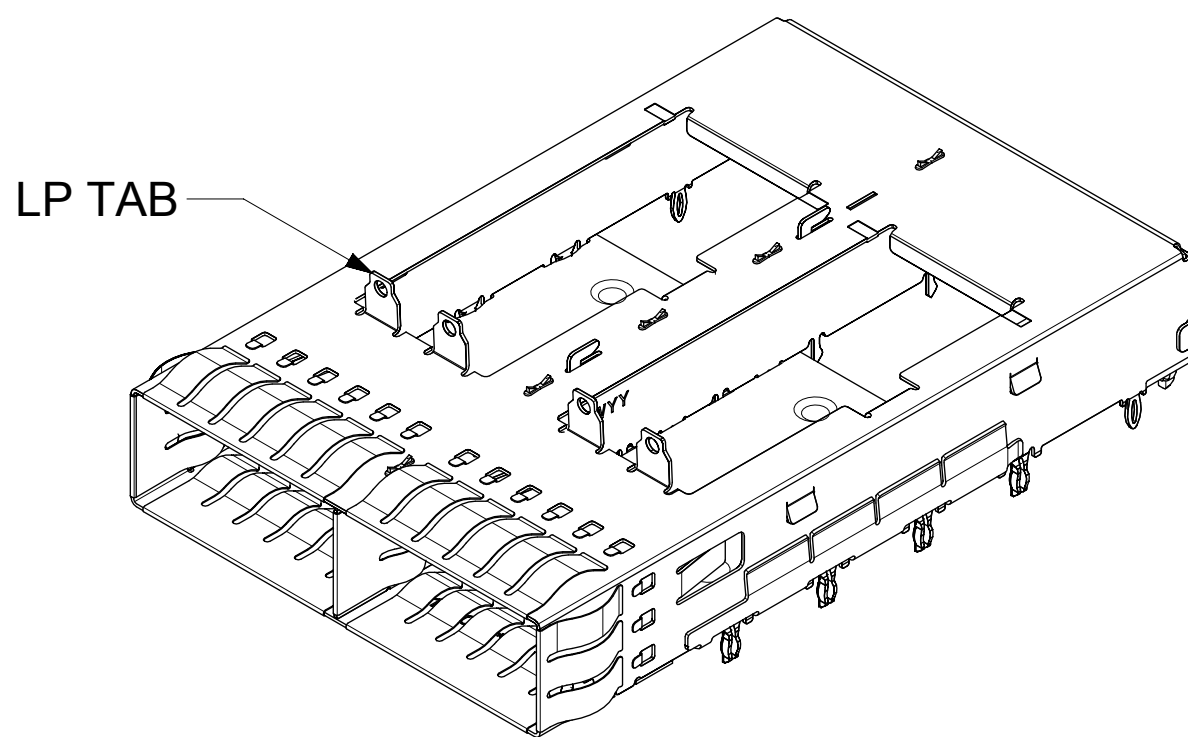
# PART NUMBER SELECTION

NO HEATSINKS  
NO LIGHT PIPES  
CLOSED TOP



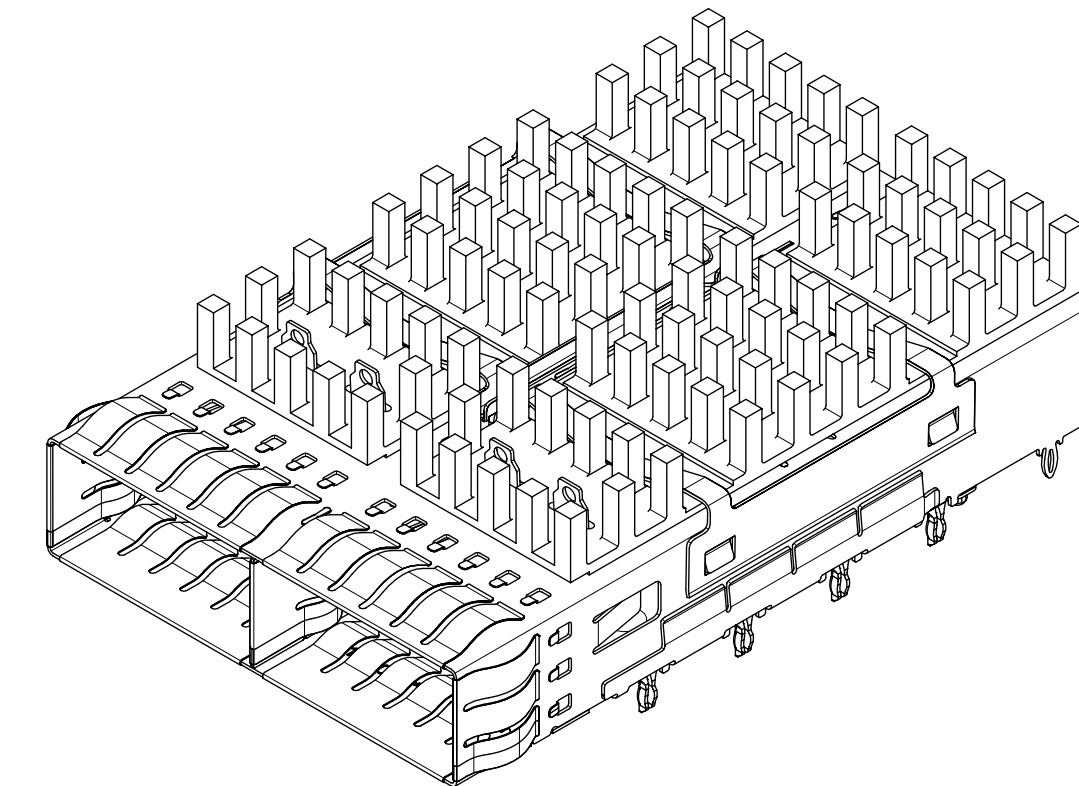
MOLEX P/N W/ SPRING FINGERS	#OF REAR LEGS PER PORT
1000159242	1

NO HEATSINKS  
NO LIGHT PIPES  
OPEN TOP



MOLEX P/N W/ SPRING FINGERS	#OF REAR LEGS PER PORT	LP TAB
1000159250	0	YES
1000153252	1	YES

WITH HEATSINKS  
NO LIGHT PIPES

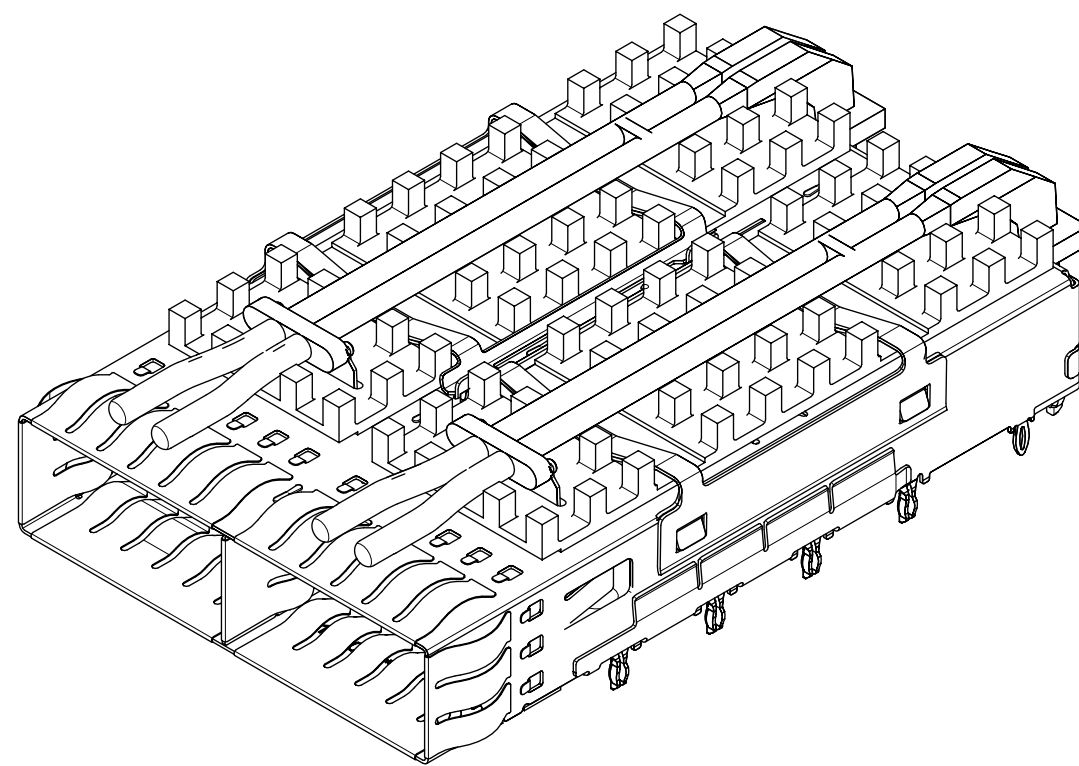


MOLEX P/N	HEAT SINK	#OF REAR LEGS PER PORT
1000153340	PCI	0
1000159341	SAN	0
1000159242	NET	0
1000153343	PCI	1
1000153344	SAN	1
1000153345	NET	1

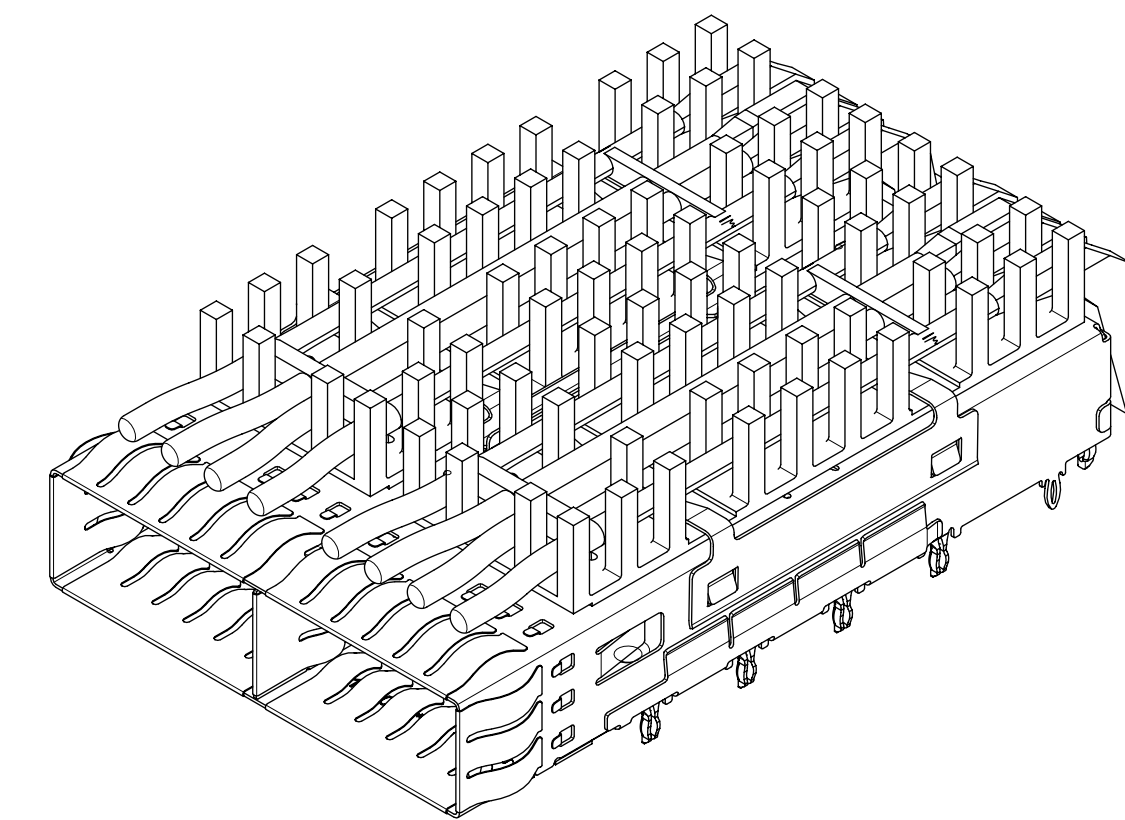
## WITH HEATSINKS AND LIGHT PIPES

MOLEX P/N	LIGHTPIPES	HEATSINKS	#OF REAR LEGS PER PORT	LP SHIELD
1000153444	DUAL	SAN	0	0
1000153446	QUAD	PCI	0	0
1000153447	QUAD	SAN	0	0
1000159544	DUAL	SAN	1	0

DUAL LIGHT PIPE



QUAD LIGHT PIPE

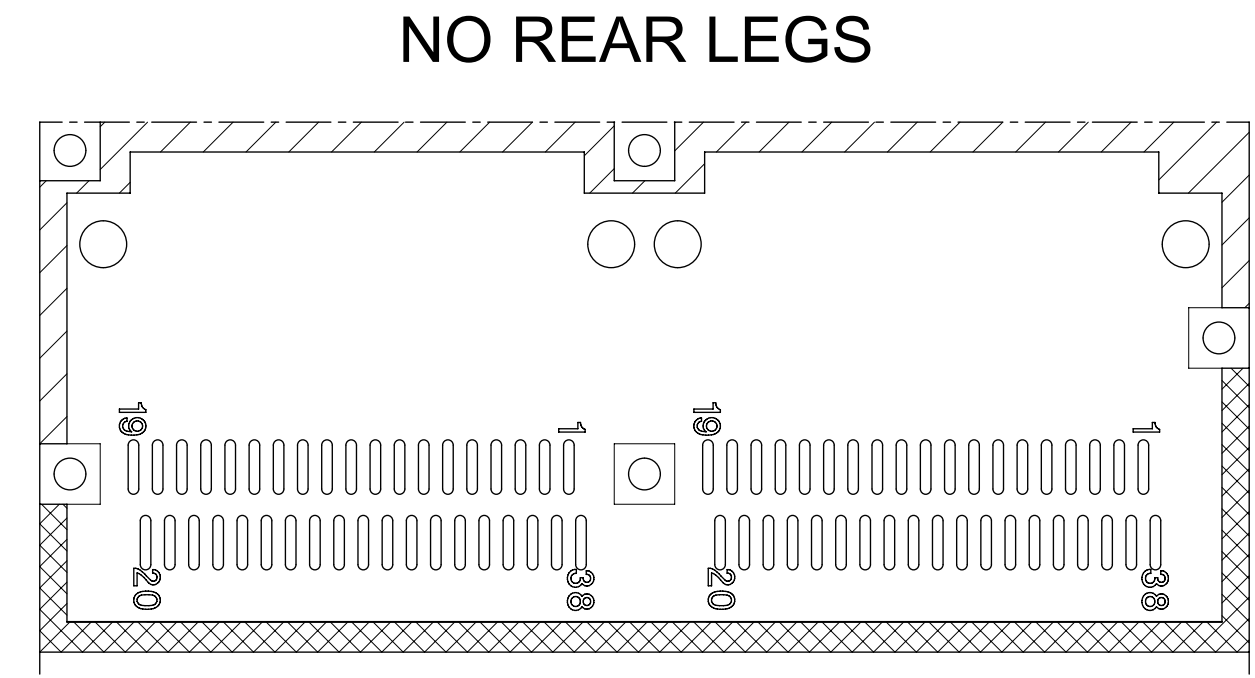
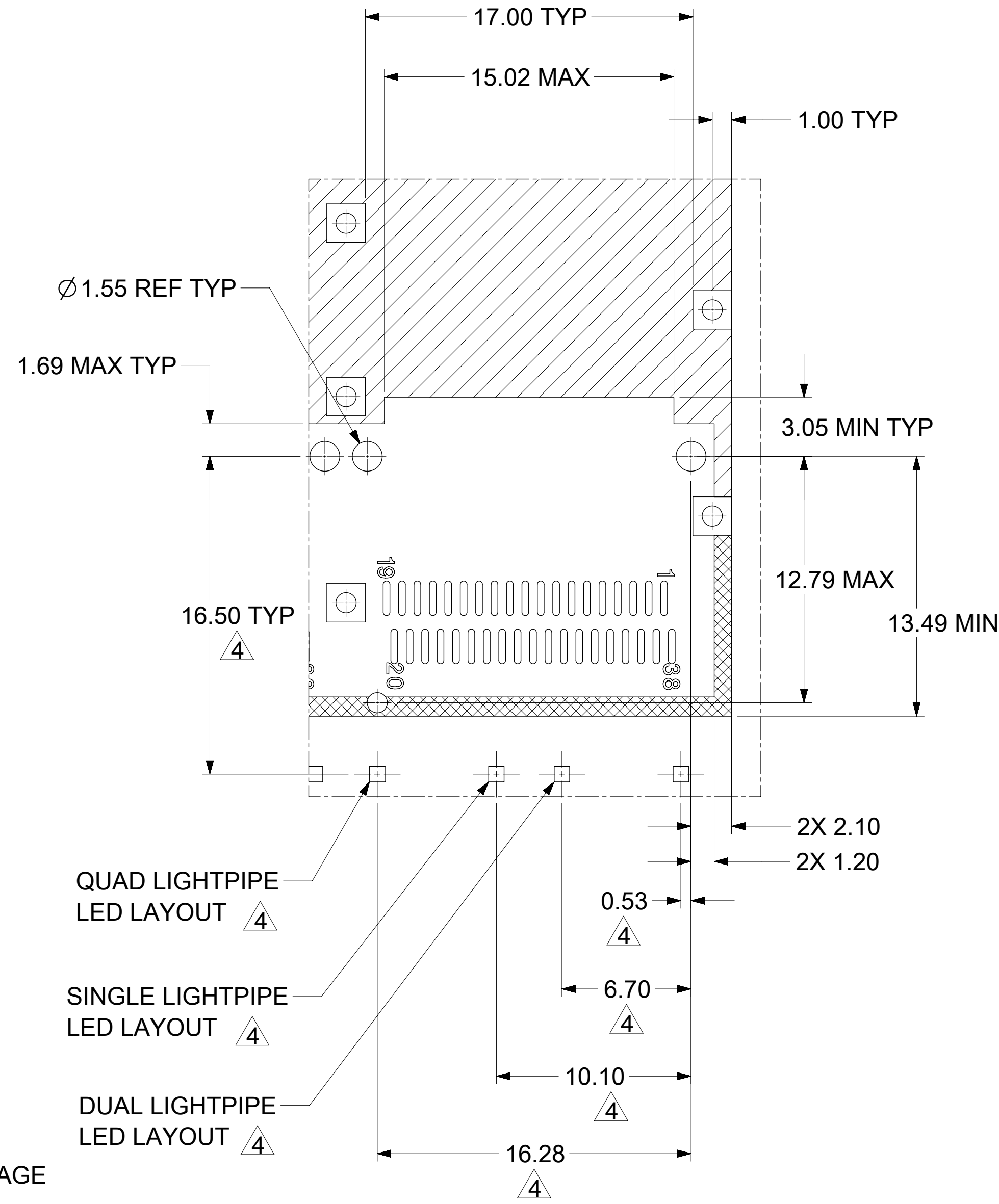
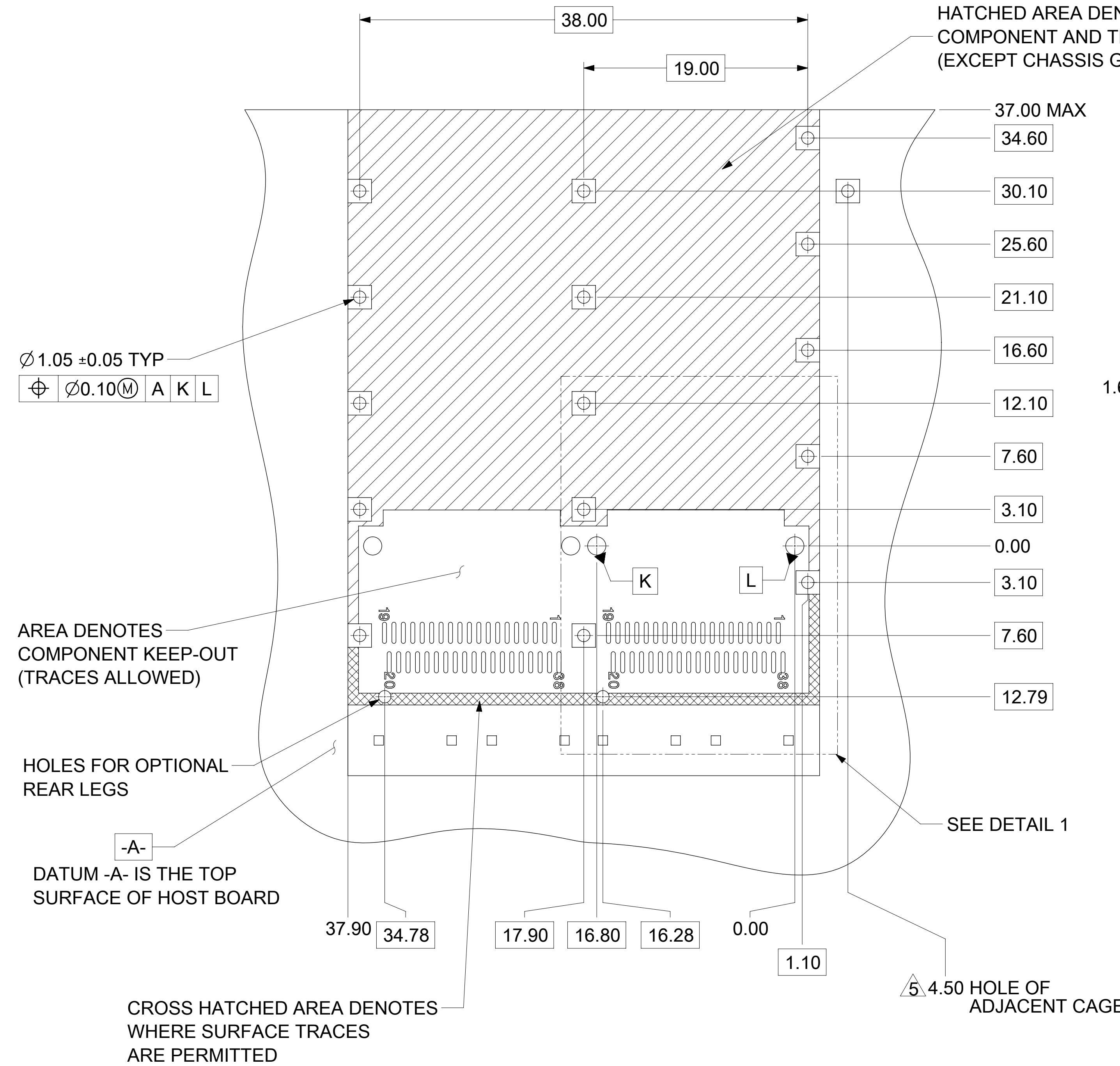


<b>FUNCTIONAL SYMBOLS</b> FA = 0 FE = 0 FP = 0 <b>DIVISIONAL SYMBOLS</b>	THIS DRAWING CONTAINS INFORMATION THAT IS PROPRIETARY TO MOLEX ELECTRONIC TECHNOLOGIES, LLC AND SHOULD NOT BE USED WITHOUT WRITTEN PERMISSION		DIMENSION UNITS: <b>mm</b>		SCALE: <b>2:1</b>		CURRENT REV DESC: SEE REV TABLE												
	GENERAL TOLERANCES (UNLESS SPECIFIED)		ANGULAR TOL ± 2.0°		EC NO: 698869		DRWN: VISHNM2 2022/02/17						ZQSFP+ 1X2 GANGED CAGE ASSY'S W/ SS TAB TYPE SPRING FINGER, H/S & L/P OPTIONS						
	4 PLACES ±		3 PLACES ±		DRWN: VISHNM2 2022/03/16		CHK'D: TKUMARKC 2022/03/16		PRODUCT CUSTOMER DRAWING										
	2 PLACES ± 0.13		1 PLACE ± 0.25		APPR: JCHIANG 2022/03/21		INITIAL REVISION:		DRWN: VISHNM2 2022/02/17		APPR: JCHIANG 2022/03/21		DOCUMENT NUMBER: <b>1000153200</b>		DOC TYPE: PSD		DOC PART: ASY		REVISION: <b>A</b>
0 PLACES ±		DRAFT WHERE APPLICABLE MUST REMAIN WITHIN DIMENSIONS		THIRD ANGLE PROJECTION		DRAWING: <b>D-SIZE</b>		SERIES: <b>100015</b>		MATERIAL NUMBER: SEE P/N TABLE		CUSTOMER: GENERAL MARKET		SHEET NUMBER: <b>3 OF 7</b>					

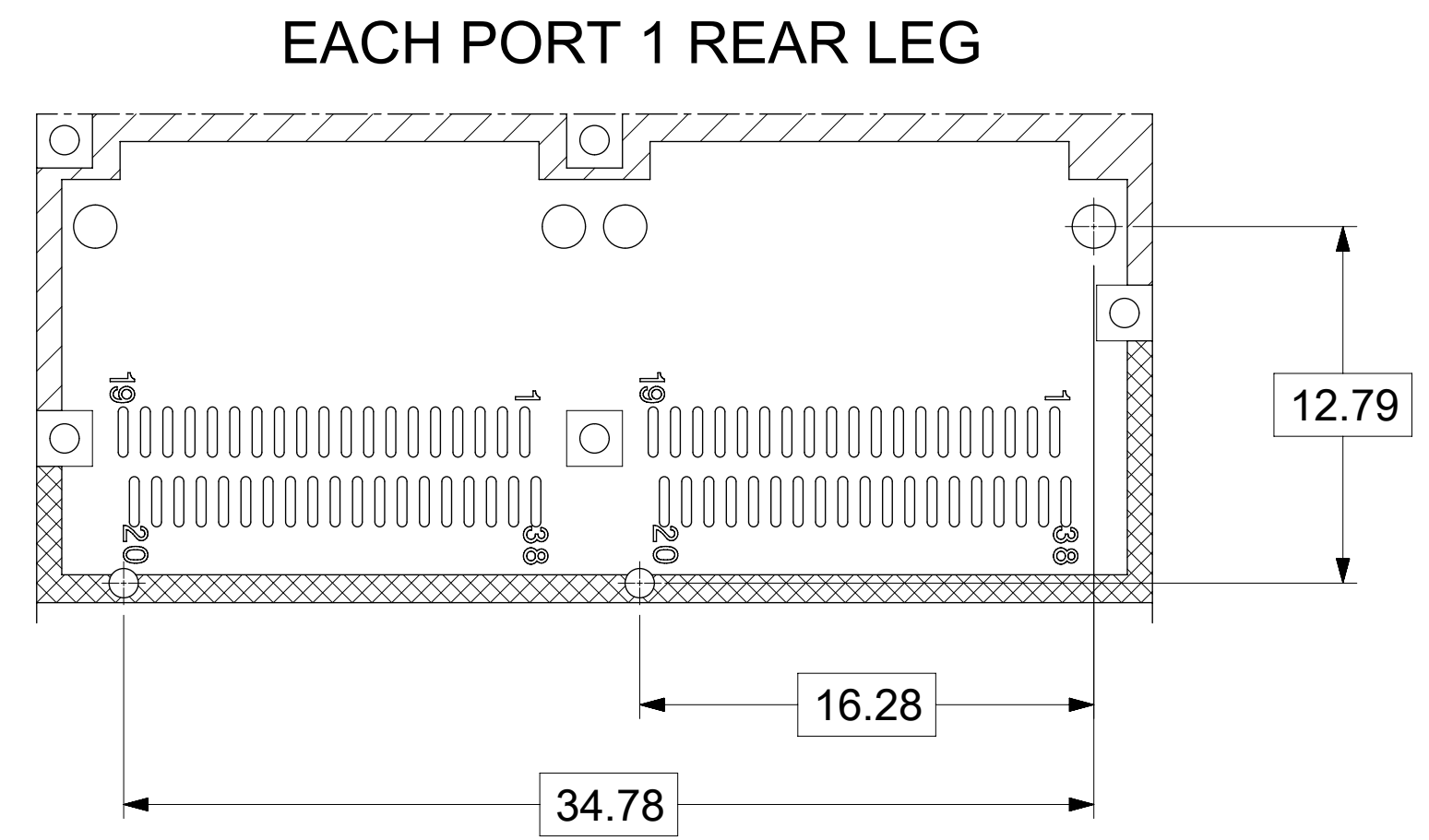
# PCB LAYOUT FOR SINGLE SIDED MOUNTING

CROSS HATCHED AREA DENOTES EMI GROUNDING PAD (MUST BE CONNECTED TO CHASSIS GROUND)

HATCHED AREA DENOTES COMPONENT AND TRACE KEEP-OUT (EXCEPT CHASSIS GROUND)



PARTIAL 1 SCALE 5:1



PARTIAL 1 SCALE 5:1

Ø 1.05 ±0.05 TYP  
 ⊕ Ø0.10(M) A K L

AREA DENOTES COMPONENT KEEP-OUT (TRACES ALLOWED)

HOLES FOR OPTIONAL REAR LEGS

-A- DATUM -A- IS THE TOP SURFACE OF HOST BOARD

CROSS HATCHED AREA DENOTES WHERE SURFACE TRACES ARE PERMITTED

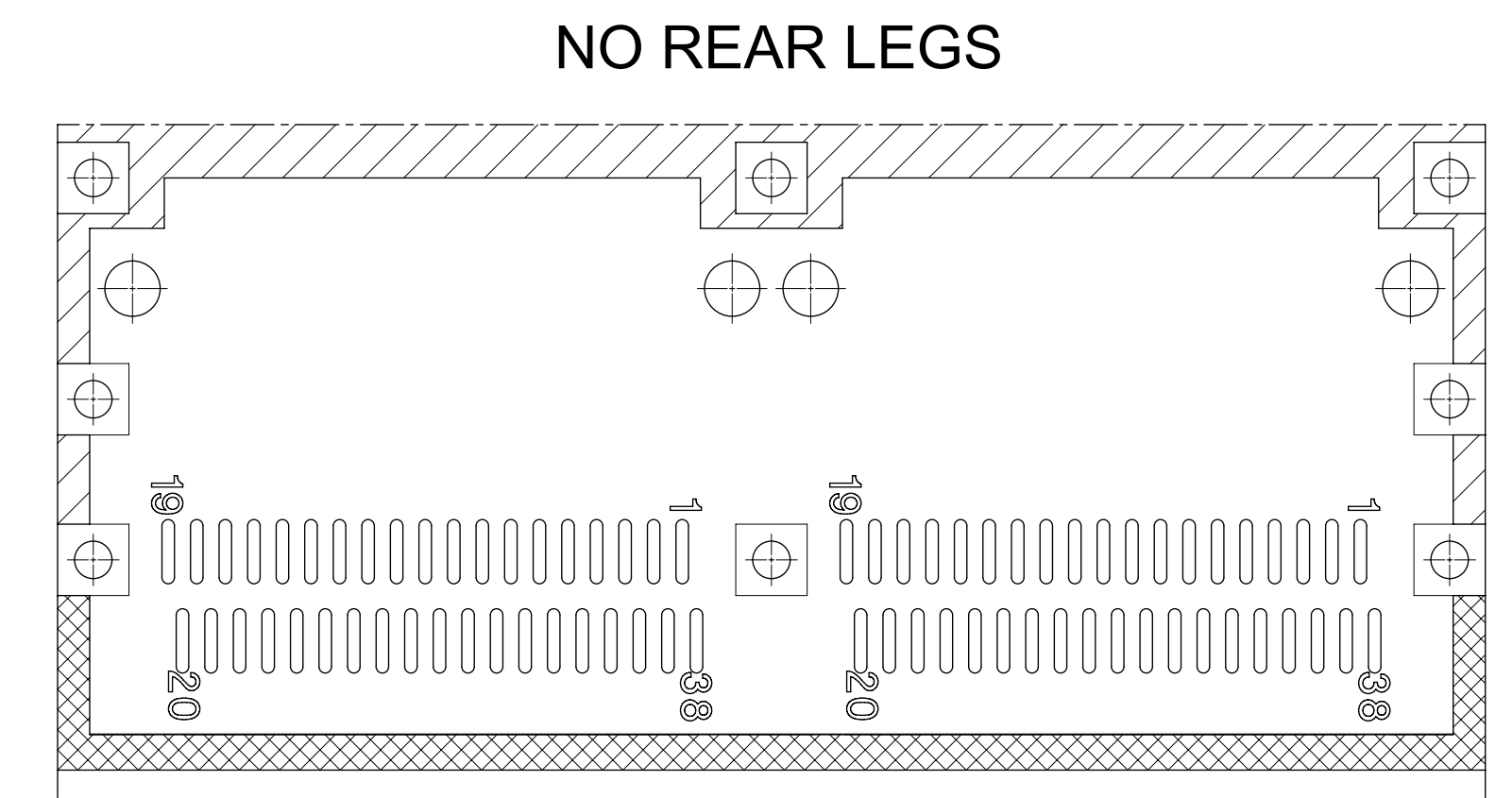
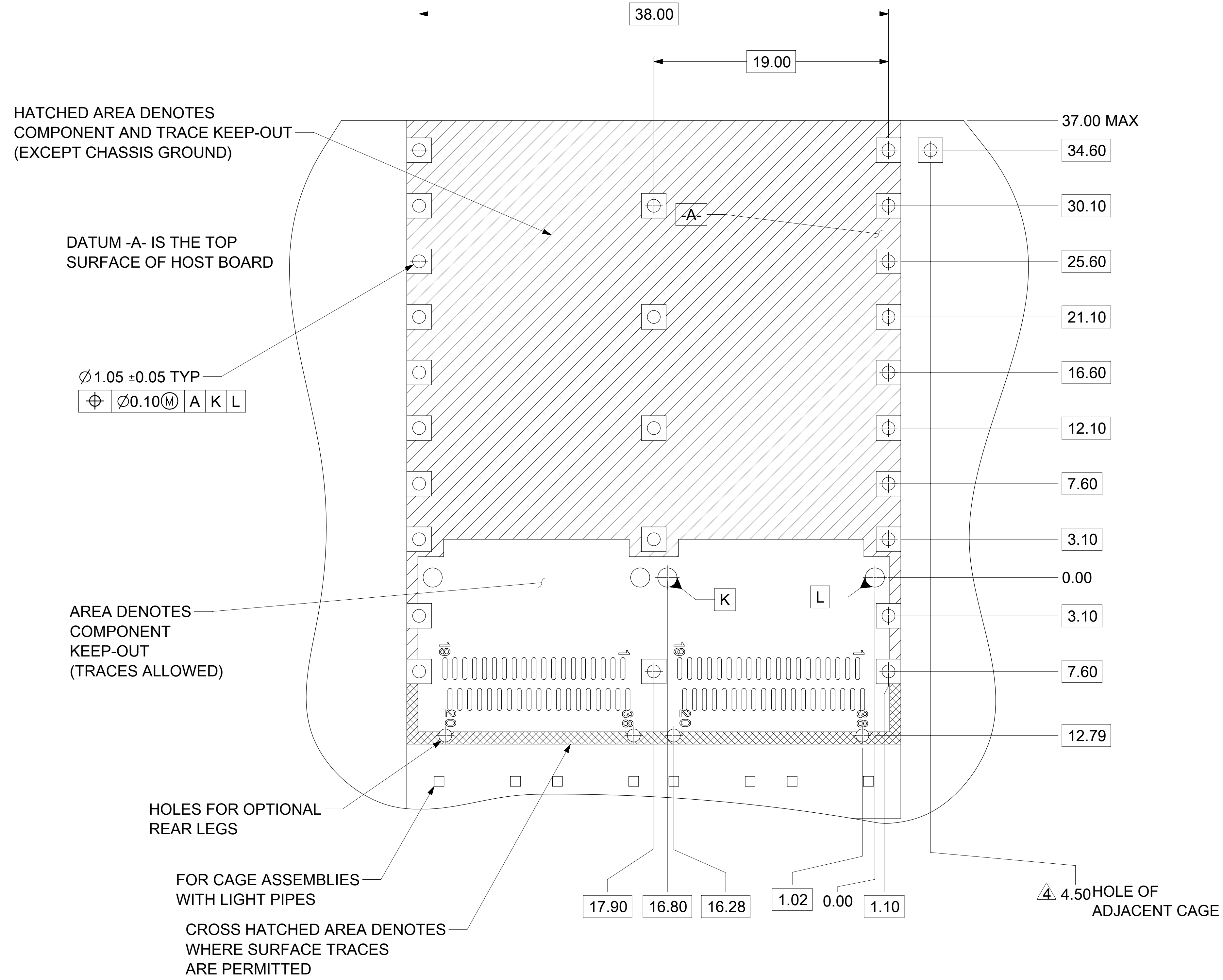
- NOTES:
- PADS AND VIAS GO TO CHASSIS GROUND. (RECOMMENDED PADS TO BE 2.00mm SQUARE.)
  - RECOMMENDED THRU HOLE PLATING INCLUDES HASL, OSP, OR IMMERSION (GOLD, SILVER, OR TIN).
  - CONNECTOR PAD LAYOUT PER SFF-8663 WILL ACCOMODATE MOLEX CONNECTOR SERIES 170432.
  - NOTED DIMENSIONS ONLY APPLY TO CAGE ASSEMBLIES WITH LIGHT PIPES.
  - THIS DIM IS FOR REF ONLY USER CAN MODIFY IT DEPENDS ON APPLICATION

DETAIL F SCALE 5:1

FUNCTIONAL SYMBOLS	THIS DRAWING CONTAINS INFORMATION THAT IS PROPRIETARY TO MOLEX ELECTRONIC TECHNOLOGIES, LLC AND SHOULD NOT BE USED WITHOUT WRITTEN PERMISSION		CURRENT REV DESC: SEE REV TABLE	
	FA = 0	mm	SCALE	4:1
DIVISIONAL SYMBOLS	GENERAL TOLERANCES (UNLESS SPECIFIED)			
	FC = 0	ANGULAR TOL ± 2.0°		
DIVISIONAL SYMBOLS	4 PLACES	±	EC NO: 698869	
	3 PLACES	±	DRWN: VISHNM2	2022/02/17
	2 PLACES	± 0.13	CHK'D: TKUMARKC	2022/03/16
	1 PLACE	± 0.25	APPR: JCHIANG	2022/03/21
DRAFT WHERE APPLICABLE MUST REMAIN WITHIN DIMENSIONS	THIRD ANGLE PROJECTION		INITIAL REVISION:	
	DRAWING		DRWN: VISHNM2	2022/02/17
D-SIZE		SERIES	APPR: JCHIANG	2022/03/21
MATERIAL NUMBER		CUSTOMER	DOCUMENT NUMBER	
SEE P/N TABLE		GENERAL MARKET	1000153200	PSD ASY A
SHEET NUMBER		4 OF 7		

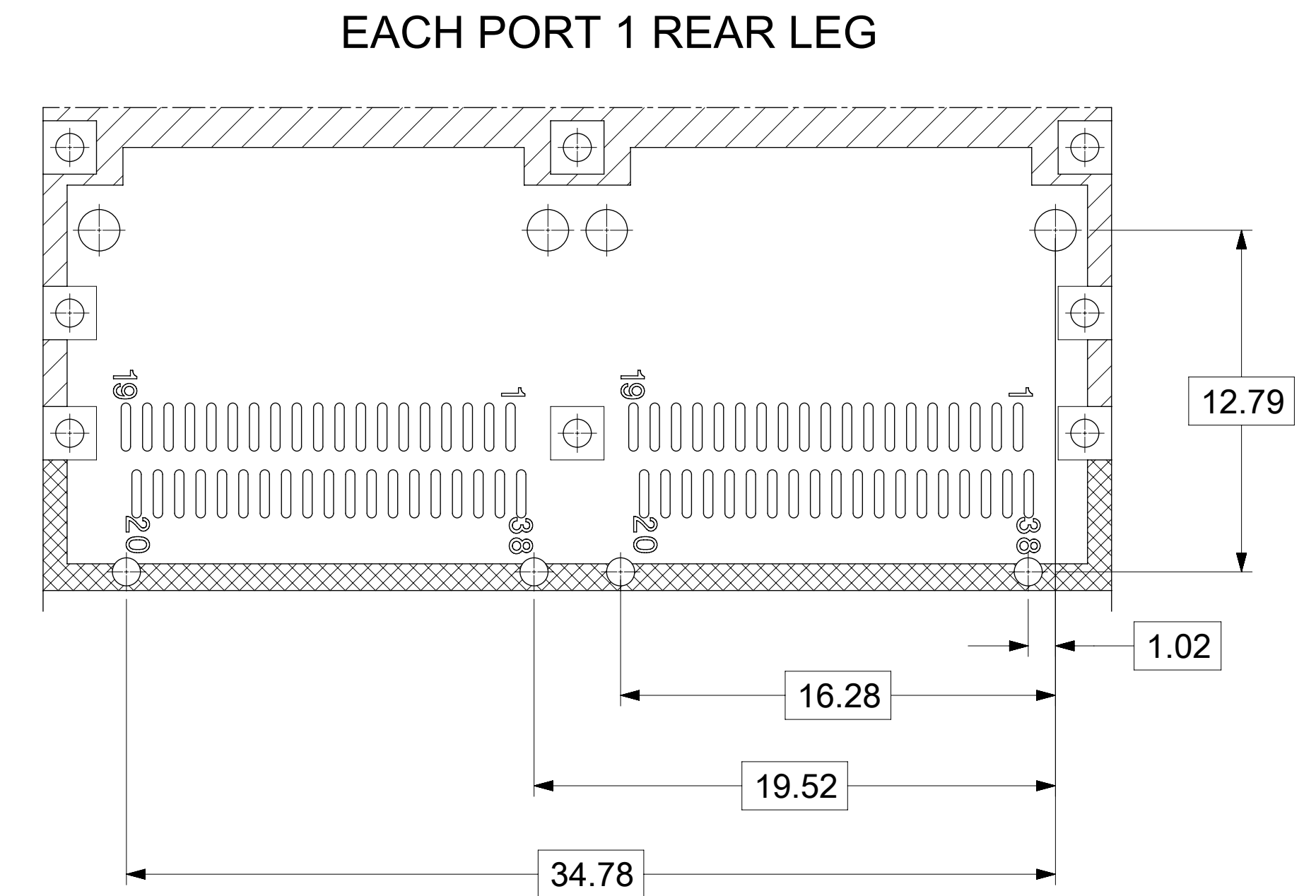


# PCB LAYOUT FOR BELLY TO BELLY MOUNTING



PARTIAL 3  
SCALE 5:1

NOTE:  
SEE SHEET 5 FOR  
HOST CONNECTOR DETAIL  
AND LED LOCATION DETAILS

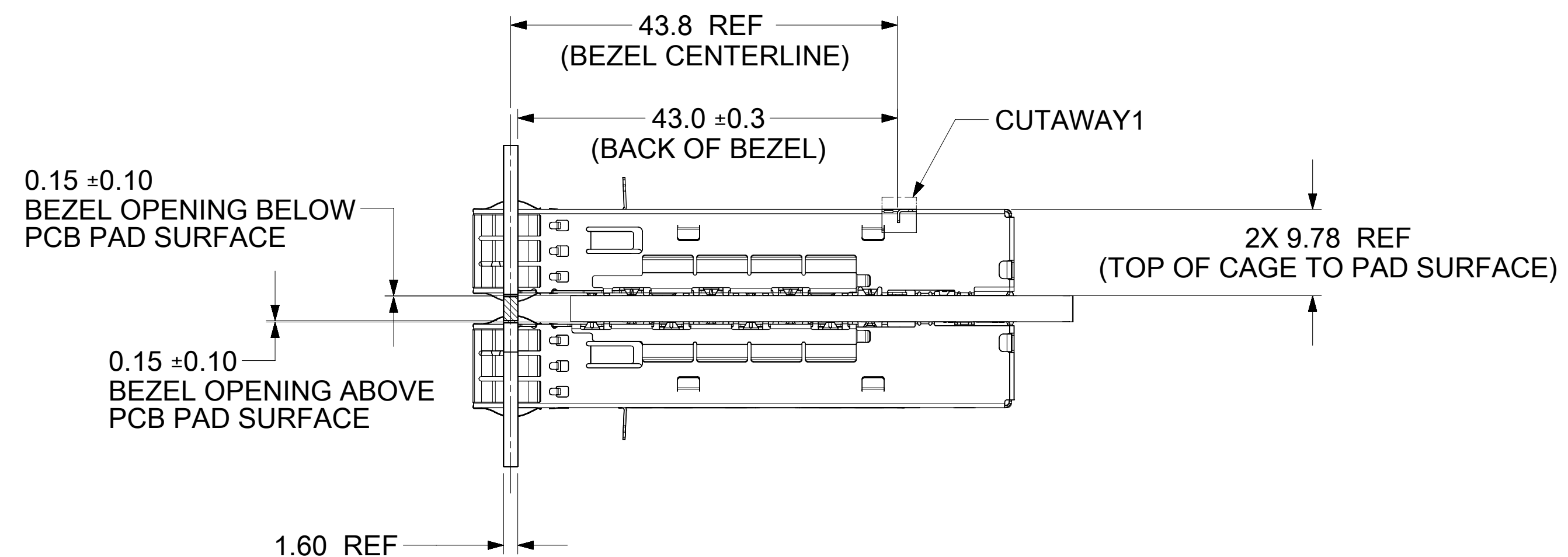


PARTIAL 4  
SCALE 5:1

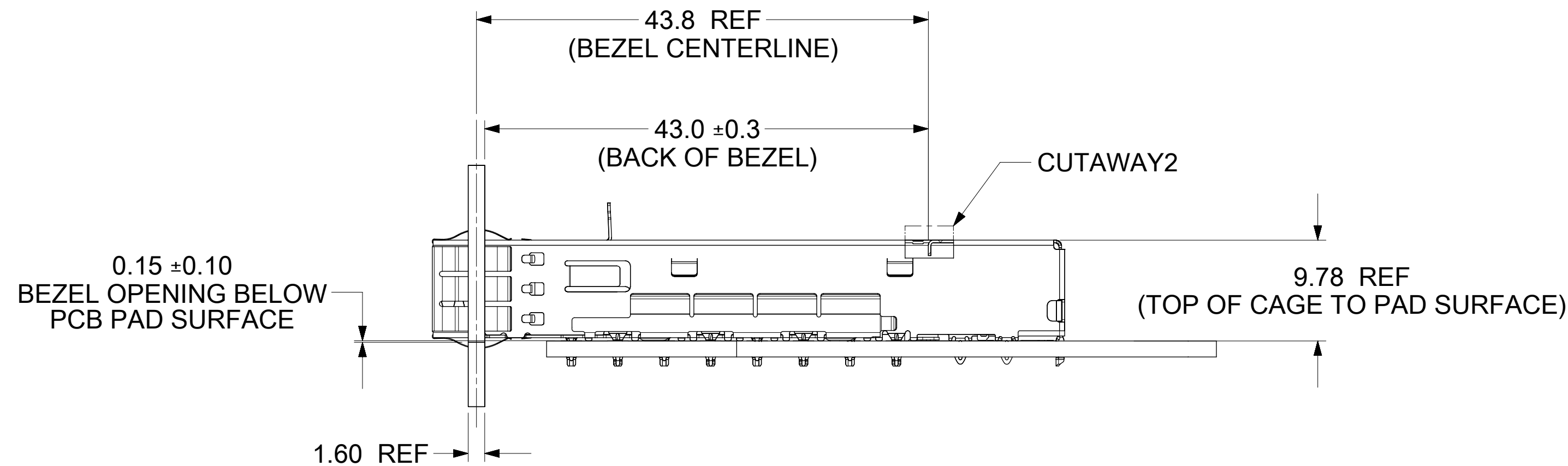
- NOTES:
1. PADS AND VIAS GO TO CHASSIS GROUND. (RECOMMENDED PADS TO BE 2.00mm SQUARE.)
  2. RECOMMENDED THRU HOLE PLATING INCLUDES HASL, OSP, OR IMMERSION (GOLD, SILVER, OR TIN).
  3. CONNECTOR PAD LAYOUT PER SFF-8663 WILL ACCOMODATE MOLEX CONNECTOR SERIES 170432.
  4. THIS DIM IS FOR REF ONLY USER CAN MODIFY IT DEPENDS ON APPLICATION.

FUNCTIONAL SYMBOLS	THIS DRAWING CONTAINS INFORMATION THAT IS PROPRIETARY TO MOLEX ELECTRONIC TECHNOLOGIES, LLC AND SHOULD NOT BE USED WITHOUT WRITTEN PERMISSION		CURRENT REV DESC: SEE REV TABLE		<b>molex</b>
	DIMENSION UNITS	SCALE			
$\nabla_A = 0$	mm	5:1			ZQSFP+ 1X2 GANGED CAGE ASSY'S W/ SS TAB TYPE SPRING FINGER, H/S & L/P OPTIONS
$\nabla_C = 0$	GENERAL TOLERANCES (UNLESS SPECIFIED)				PRODUCT CUSTOMER DRAWING
$\nabla_P = 0$	ANGULAR TOL $\pm 2.0^\circ$				DOCUMENT NUMBER
DIVISIONAL SYMBOLS	4 PLACES $\pm$		EC NO: 698869	2022/02/17	1000153200
	3 PLACES $\pm$		DRWN: VISHNM2	2022/03/16	PSD ASY A
	2 PLACES $\pm 0.13$		CHK'D: TKUMARKC	2022/03/21	
	1 PLACE $\pm 0.25$		APPR: JCHIANG		
	0 PLACES $\pm$		INITIAL REVISION:		
			DRWN: VISHNM2	2022/02/17	
			APPR: JCHIANG	2022/03/21	
DRAFT WHERE APPLICABLE MUST REMAIN WITHIN DIMENSIONS	THIRD ANGLE PROJECTION	DRAWING	SERIES	MATERIAL NUMBER	CUSTOMER
		D-SIZE	100015	SEE P/N TABLE	GENERAL MARKET
					SHEET NUMBER
					5 OF 7

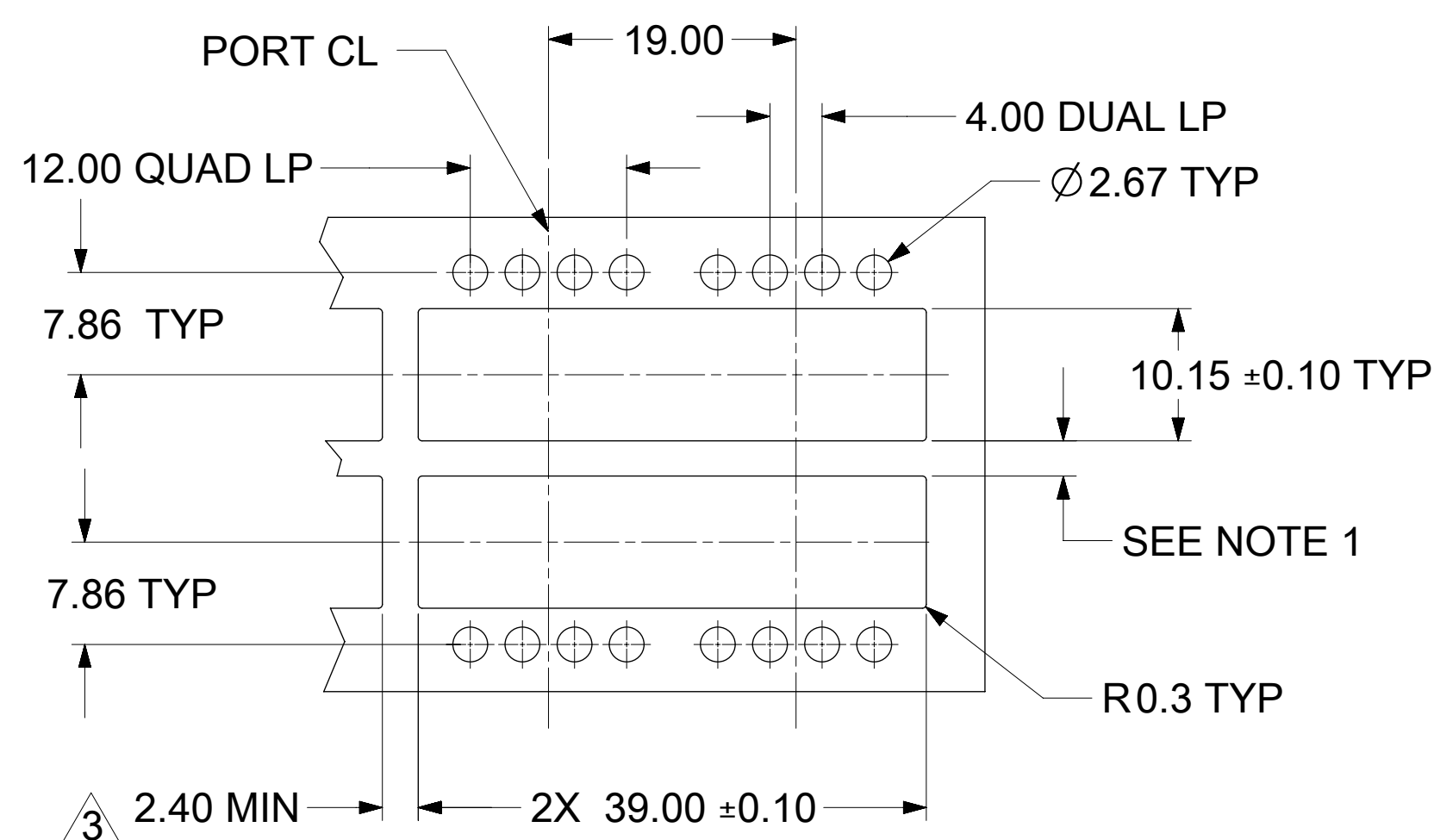
# BEZEL AND BOARD POSITION DIMENSIONS FOR BELLY TO BELLY MOUNTING



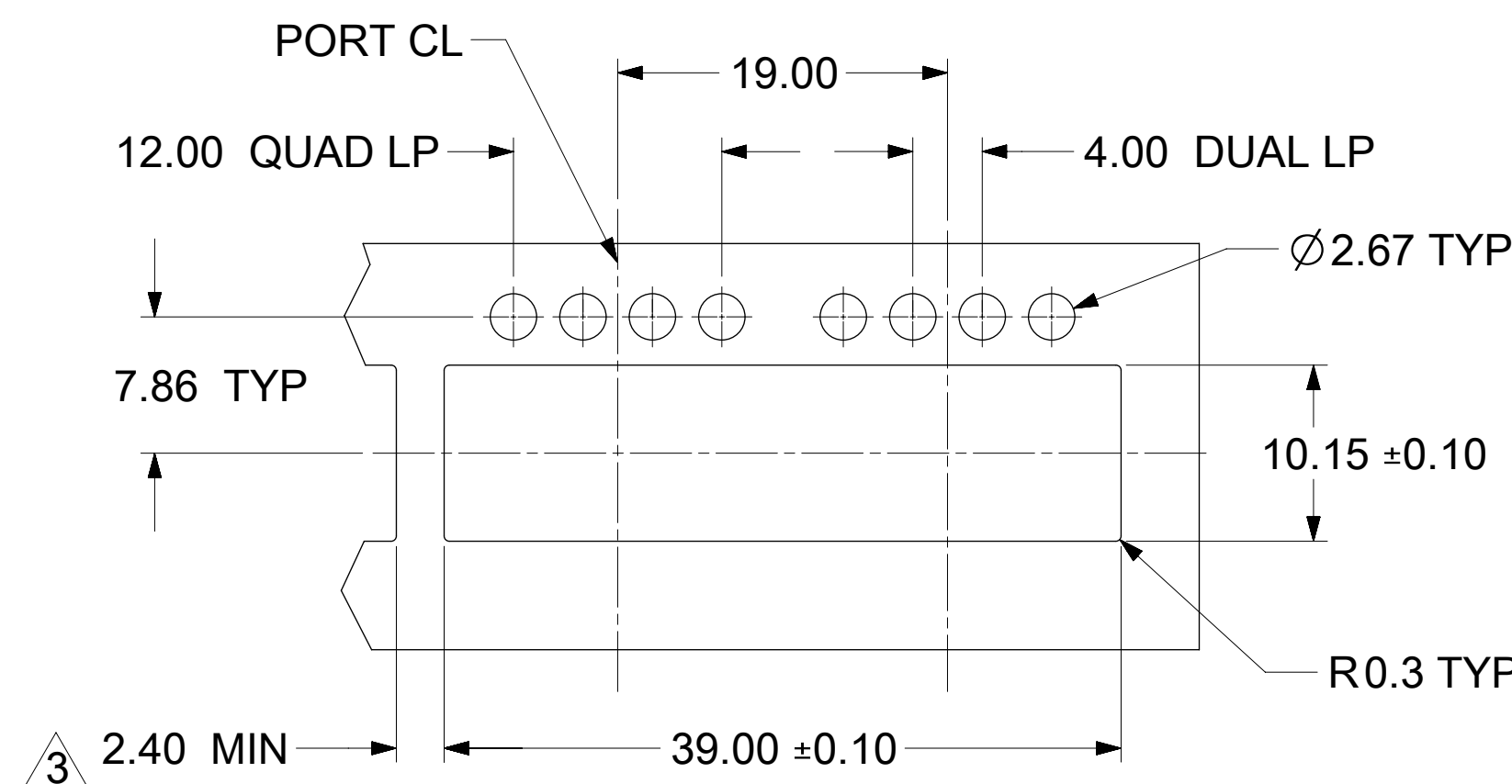
# BEZEL AND BOARD POSITION DIMENSIONS FOR SINGLE SIDE MOUNTING



## DUAL/QUAD LIGHT PIPE <sup>2</sup>



## DUAL/QUAD LIGHT PIPE <sup>2</sup>



- NOTE:
- 1. PCB THICKNESS VARIATION MUST BE CONSIDERED WHEN DETERMINING BEZEL OPENING LOCATION.
  - <sup>2</sup> NOTED DIMENSIONS ONLY APPLY TO CAGE ASSEMBLIES WITH LIGHT PIPES.
  - <sup>3</sup> THIS DIM IS FOR REF ONLY USER CAN MODIFY IT DEPENDS ON APPLICATION.

FUNCTIONAL SYMBOLS	THIS DRAWING CONTAINS INFORMATION THAT IS PROPRIETARY TO MOLEX ELECTRONIC TECHNOLOGIES, LLC AND SHOULD NOT BE USED WITHOUT WRITTEN PERMISSION		CURRENT REV DESC: SEE REV TABLE							
	DIMENSION UNITS	SCALE								
$\nabla_A = 0$	mm	2:1	GENERAL TOLERANCES (UNLESS SPECIFIED)		ZQSFP+ 1X2 GANGED CAGE ASSY'S W/ SS TAB TYPE SPRING FINGER, H/S & L/P OPTIONS					
$\nabla_C = 0$	ANGULAR TOL ± 2.0°		4 PLACES ±		PRODUCT CUSTOMER DRAWING					
$\nabla_P = 0$	3 PLACES ±		3 PLACES ±		INITIAL REVISION:		DOCUMENT NUMBER	DOC TYPE	DOC PART	REVISION
	2 PLACES ± 0.13		2 PLACES ± 0.13		DRWN: VISHNM2 2022/02/17		1000153200	PSD	ASY	A
	1 PLACE ± 0.25		1 PLACE ± 0.25		APPR: JCHIANG 2022/03/21					
	0 PLACES ±		0 PLACES ±		DRWN: VISHNM2 2022/02/17		MATERIAL NUMBER		CUSTOMER	
	DRAFT WHERE APPLICABLE MUST REMAIN WITHIN DIMENSIONS		THIRD ANGLE PROJECTION		DRAWING	SERIES	SEE P/N TABLE		GENERAL MARKET	
					D-SIZE	100015			SHEET NUMBER	
									6 OF 7	

REV	DATE	DESCRIPTION
A	2022/02/17	INITIAL RELEASE.

FUNCTIONAL SYMBOLS	THIS DRAWING CONTAINS INFORMATION THAT IS PROPRIETARY TO MOLEX ELECTRONIC TECHNOLOGIES, LLC AND SHOULD NOT BE USED WITHOUT WRITTEN PERMISSION		
	DIMENSION UNITS	SCALE	CURRENT REV DESC: SEE REV TABLE
$\nabla_A = 0$	mm	1:1	EC NO: 698869 DRWN: VISHNM2 2022/02/17 CHK'D: TKUMARKC 2022/03/16 APPR: JCHIANG 2022/03/21
$\nabla_C = 0$	GENERAL TOLERANCES (UNLESS SPECIFIED)		
$\nabla_P = 0$	ANGULAR TOL $\pm 2.0^\circ$		INITIAL REVISION: DRWN: VISHNM2 2022/02/17 APPR: JCHIANG 2022/03/21
DIVISIONAL SYMBOLS	4 PLACES	$\pm$	
	3 PLACES	$\pm$	DOCUMENT NUMBER <b>1000153200</b> DOC TYPE PSD DOC PART ASY REVISION <b>A</b>
	2 PLACES	$\pm 0.13$	
	1 PLACE	$\pm 0.25$	MATERIAL NUMBER SEE P/N TABLE CUSTOMER GENERAL MARKET SHEET NUMBER 7 OF 7
	0 PLACES	$\pm$	
	DRAFT WHERE APPLICABLE MUST REMAIN WITHIN DIMENSIONS	THIRD ANGLE PROJECTION 	DRAWING <b>D-SIZE</b>
			SERIES <b>100015</b>

**molex**

ZQSFP+ 1X2 GANGED CAGE  
ASSY'S W/ SS TAB TYPE SPRING FINGER, H/S & L/P  
OPTIONS

PRODUCT CUSTOMER DRAWING