

F

E

D

C

B

A

F

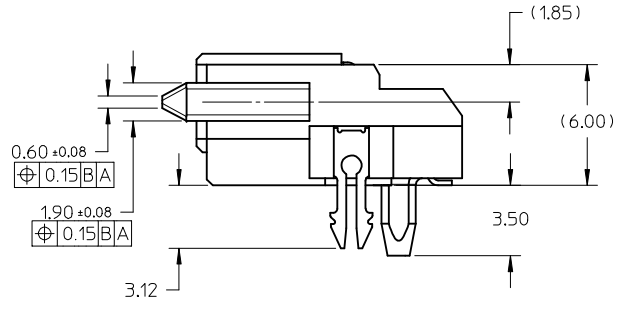
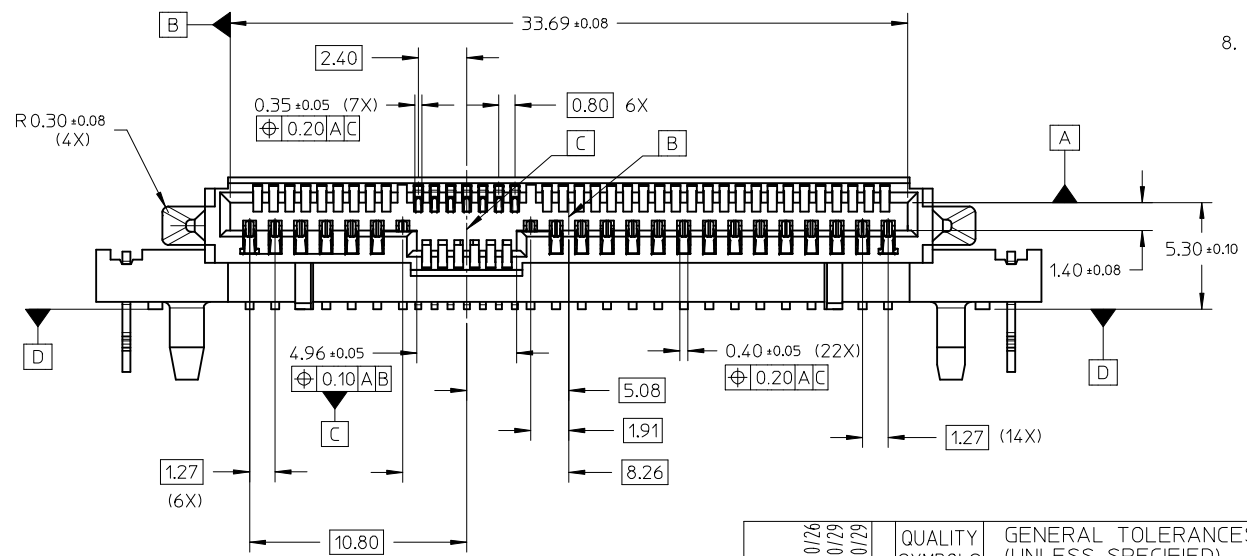
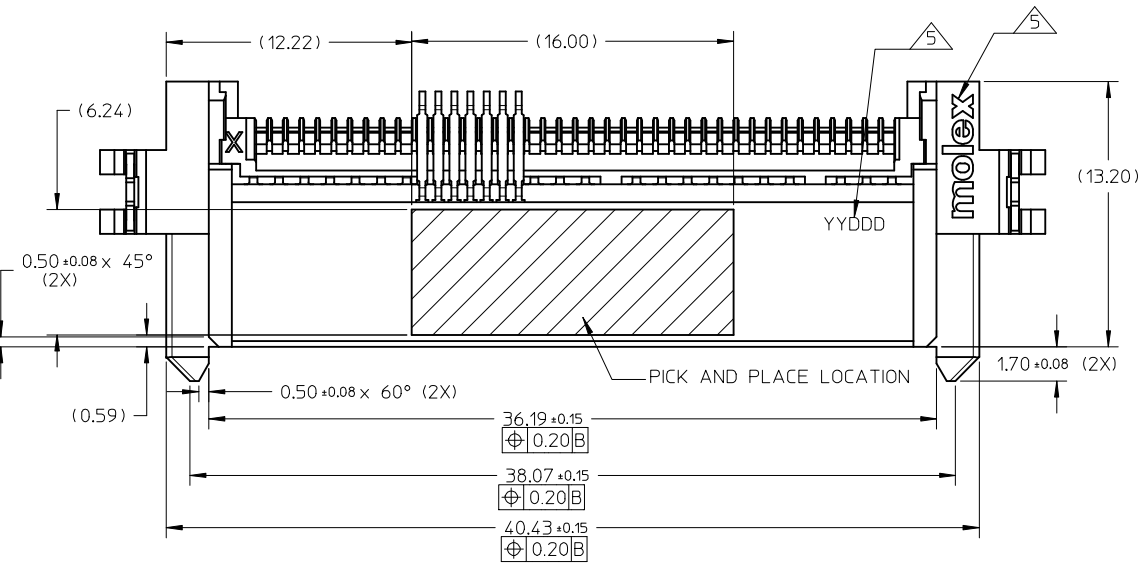
E

D

C

B

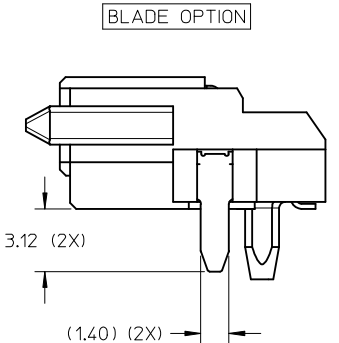
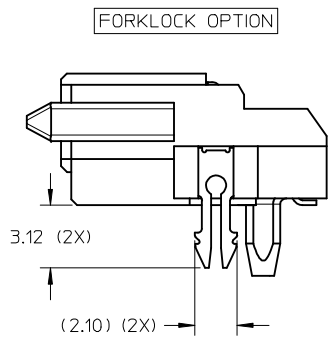
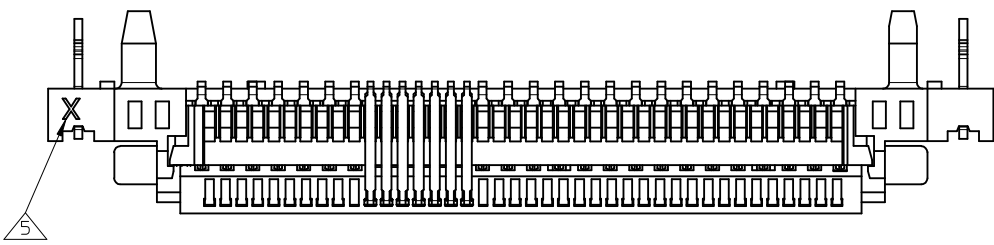
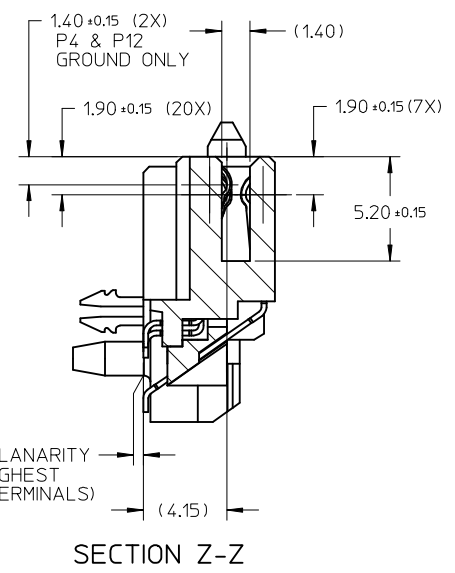
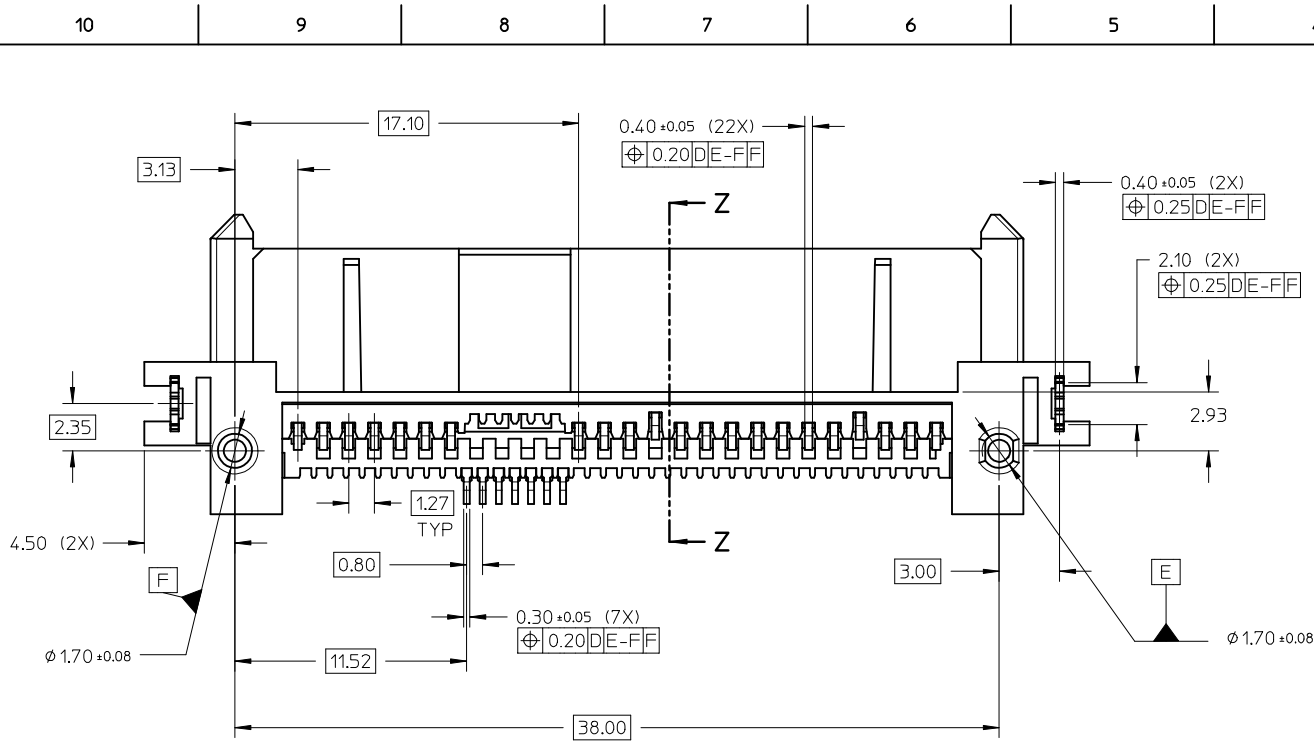
A



NOTES:

- MATERIAL
HOUSING: LIQUID CRYSTALLINE POLYMER,
GLASS FILLED, UL 94V-0, COLOR: BLACK
TERMINAL: COPPER ALLOY
FORKLOCK: COPPER ALLOY
- FINISHES:
TERMINAL CONTACT: 0.76µm MIN. SELECTIVE GOLD OVER 1.27µm MIN. NICKEL UNDERPLATE
TERMINAL SOLDER TAIL: 2.54µm MIN. TIN OVER 1.27µm MIN. NICKEL UNDERPLATE
FORKLOCK: 2.54µm MIN. TIN OVER 1.27µm MIN. NICKEL UNDERPLATE
- PRODUCT SPECIFICATION: PS-151002-0001
- PACKAGING SPECIFICATION : SEE TABLE
- MOLEX LOGO, SERIES NUMBER, CAVITY ID AND DATE CODE LOCATED APPROXIMATELY AS SHOWN
- NON FUNCTIONAL CORE HOLE MAY VARY
- PRODUCT IS COMPLIANT TO RoHS DIRECTIVE WITH THE FOLLOWING BANNED SUBSTANCES - LEAD, MERCURY, CADMIUM, HEXAVALENT CHROMIUM, POLYBROMINATED BIPHENYLS AND POLYBROMINATED DIPHENYL ETHERS.
- REFER TO AS-151002-0001 FOR PCB ROUTING RECOMMENDATIONS.

ADD PN EC NO: S2016-0392 DRW: BOKOK CHKD: SHONG APPR: SHLENI REV 6	QUALITY SYMBOLS F=0 E=0 P=0	GENERAL TOLERANCES (UNLESS SPECIFIED) mm INCH 4 PLACES ± --- ± --- 3 PLACES ± --- ± --- 2 PLACES ± 0.20 ± --- 1 PLACE ± --- ± --- 0 PLACE ± --- ± --- ANGULAR ± 1 ° DRAFT WHERE APPLICABLE MUST REMAIN WITHIN DIMENSIONS	DIMENSION STYLE MM ONLY DRAWN BY DATE LKCHEW 2013/07/03 CHECKED BY DATE WJYAP 2013/07/24 APPROVED BY DATE BOKOK 2013/08/16	SCALE NTS DESIGN UNITS METRIC THIRD ANGLE PROJECTION	TITLE SAS RECEPTACLE, RIGHT ANGLE SMT, 4.15MM HEIGHT molex DOCUMENT NO. SD-151002-0001 SHEET NO. 1 OF 3	
	MATERIAL NO. SEE TABLE			THIS DRAWING CONTAINS INFORMATION THAT IS PROPRIETARY TO MOLEX INCORPORATED AND SHOULD NOT BE USED WITHOUT WRITTEN PERMISSION		
	SIZE A3					



PART NO.	HOLD DOWN OPTION	PACKAGING SPECIFICATION	QUANTITY
151002-0001	FORKLOCK	PK-151002-0001 (TRAY)	25 PCS/TRAY
151002-0004	BLADE		
151002-0005	FORKLOCK	PK-151002-0002 (TAPE & REEL)	200 PCS/REEL
151002-0003	BLADE		

ADD PN
 EC NO: S2016-0392
 2015/10/26
 DRWN: BOKOK
 2015/10/29
 CHKD: SHONG
 2015/10/29
 APPR: SILENI
 2015/10/29

QUALITY SYMBOLS
 $\nabla_A = 0$
 $\nabla_E = 0$
 $\nabla_F = 0$

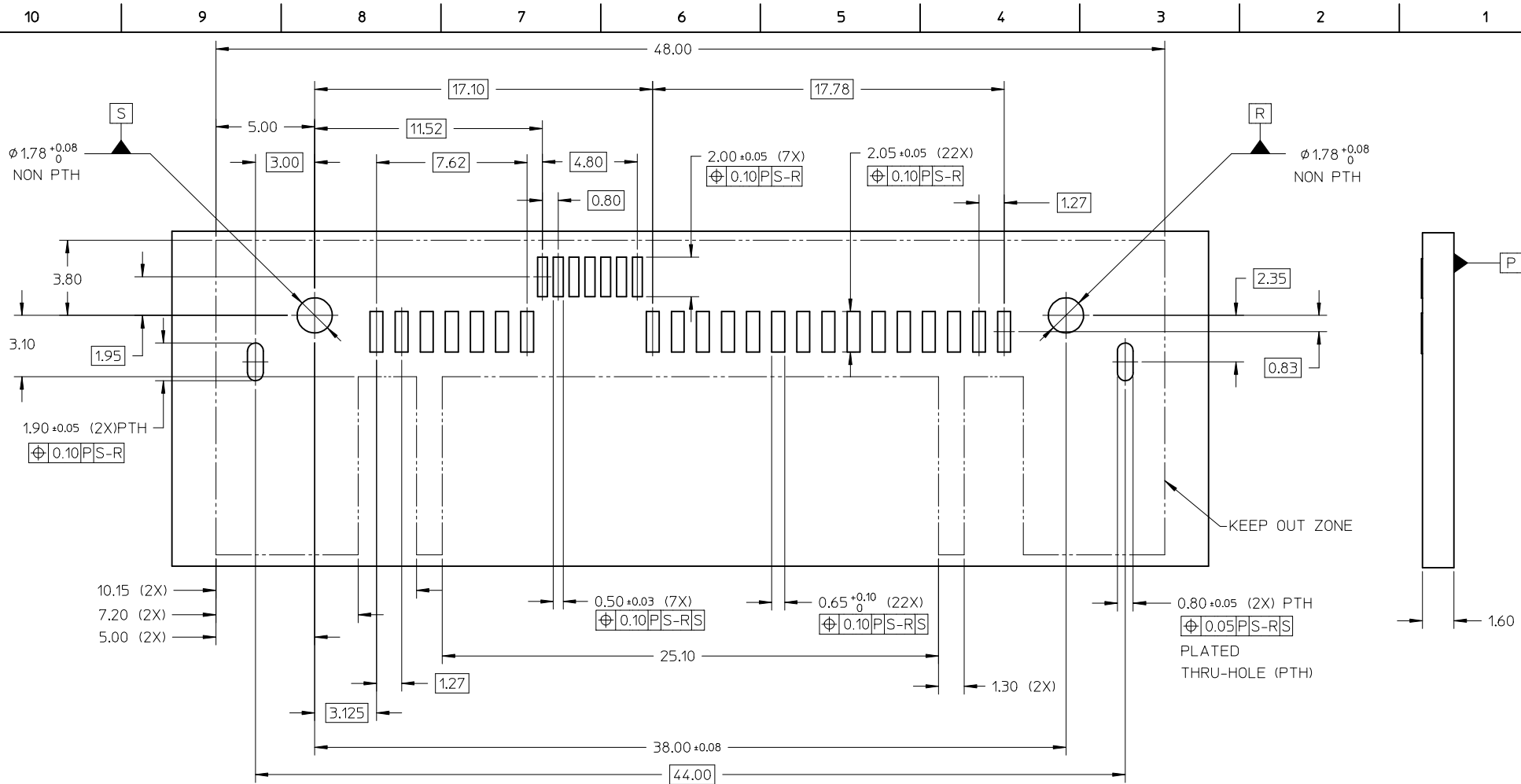
GENERAL TOLERANCES (UNLESS SPECIFIED)

	mm	INCH
4 PLACES	± ---	± ---
3 PLACES	± ---	± ---
2 PLACES	± 0.20	± ---
1 PLACE	± ---	± ---
0 PLACE	± ---	± ---

 ANGULAR ± 1 °
 DRAFT WHERE APPLICABLE
 MUST REMAIN WITHIN DIMENSIONS

DIMENSION STYLE
MM ONLY
 DRAWN BY: LKCHEW
 DATE: 2013/07/03
 CHECKED BY: WJYAP
 DATE: 2013/07/24
 APPROVED BY: BOKOK
 DATE: 2013/08/16
 MATERIAL NO.
SEE TABLE

SCALE: NTS
 DESIGN UNITS: METRIC
 THIRD ANGLE PROJECTION
 TITLE: SAS RECEPTACLE, RIGHT ANGLE SMT, 4.15MM HEIGHT
molex
 DOCUMENT NO.: SD-151002-0001
 SHEET NO.: 2 OF 3
 THIS DRAWING CONTAINS INFORMATION THAT IS PROPRIETARY TO MOLEX INCORPORATED AND SHOULD NOT BE USED WITHOUT WRITTEN PERMISSION



RECOMMENDED PCB LAYOUT

ADD PN EC NO: SZ016-0392 DRWN: BOKOK CHKD: SHONG APPR: SHLENI 6	QUALITY SYMBOLS $\nabla = 0$ $\nabla = 0$ $\nabla = 0$	GENERAL TOLERANCES (UNLESS SPECIFIED)		DIMENSION STYLE MM ONLY		SCALE NTS	DESIGN UNITS METRIC	THIRD ANGLE PROJECTION			
				DRAWN BY LKCHEW	DATE 2013/07/03	TITLE SAS RECEPTACLE, RIGHT ANGLE SMT, 4.15MM HEIGHT					
				CHECKED BY WJYAP	DATE 2013/07/24						
				APPROVED BY BOKOK	DATE 2013/08/16	MATERIAL NO. SEE TABLE		DOCUMENT NO. SD-151002-0001		SHEET NO. 3 OF 3	
				ANGULAR $\pm 1^\circ$		THIS DRAWING CONTAINS INFORMATION THAT IS PROPRIETARY TO MOLEX INCORPORATED AND SHOULD NOT BE USED WITHOUT WRITTEN PERMISSION					
				DRAFT WHERE APPLICABLE MUST REMAIN WITHIN DIMENSIONS							