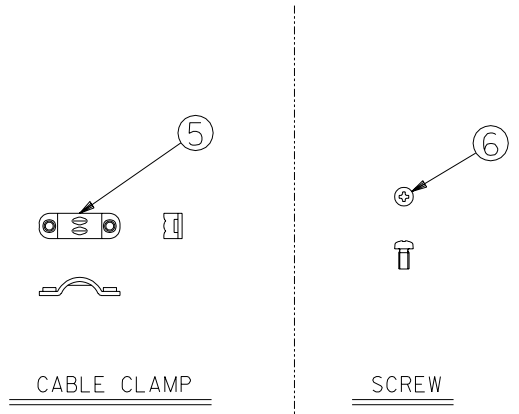


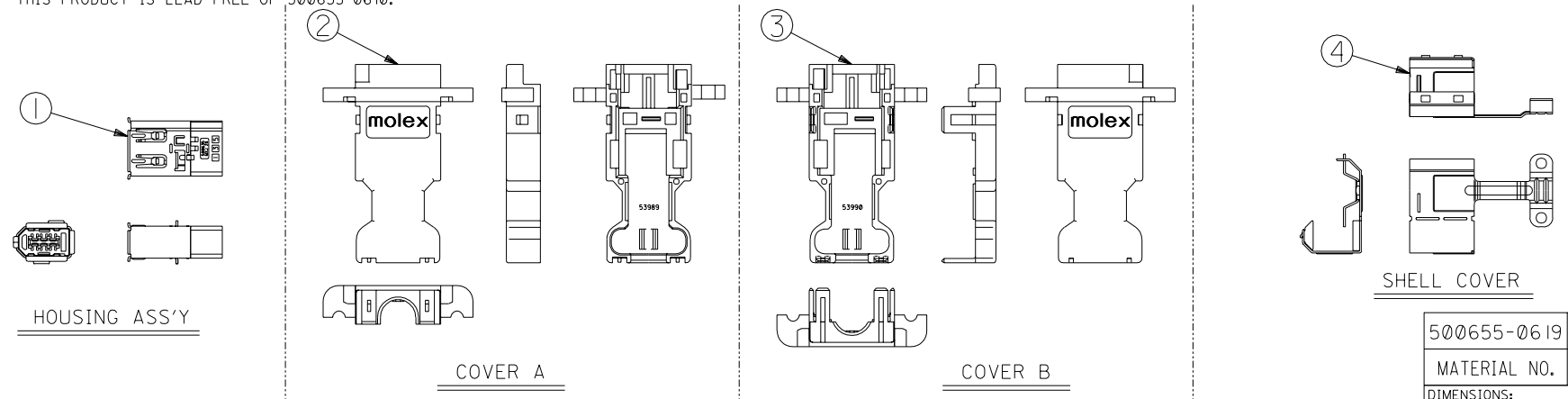
DWG. NO. SD-500655-011

部品構成
PARTS CONSTRUCTION

部番 NO.	部品名 PART NAME	製品番号 ENG. NO.	個数 QUAN.	材質 MATERIAL
①	ハウジングアッセンブリ HOUSING ASS'Y	500653-0619	1	ハウジング: ガラス入り耐熱樹脂 UL94V-0 色:黒 HOUSING: G.F. HEAT RESISTANT PLASTIC UL94V-0 COLOR: BLACK シェル :りん青銅 t0.4 SHELL : PHOSPHOR BRONZE t0.4 メッキ仕様 ニッケル下地錫メッキ PLATING TIN OVER NICKEL
②	カバーA COVER A	53989-0615	1	ガラス入りポリカーボネイト樹脂 UL94V-0 色:グレー POLYCARBONATE G.F. UL94V-0 COLOR: GRAY
③	カバーB COVER B	53990-0615	1	
④	シェル カバー SHELL COVER	58302-0628	1	鋼 t0.4 STEEL t0.4 メッキ仕様 : ニッケル下地、錫メッキ PLATING : NICKEL BASE, TIN PLATING
⑤	ケーブルクランプ CABLE CLAMP	58303-0000	1	ステンレス鋼 STAINLESS STEEL
⑥	十字穴付きなべ小ネジ CROSS RECESSED PAN HEAD MACHINE SCREW	59832-0009	2	黄銅(ネジサイズ:M2X4) BRASS (SCREW SIZE: M2X4)



NOTES:
本製品は500655-0610の鉛フリー品である。
THIS PRODUCT IS LEAD FREE OF 500655-0610.

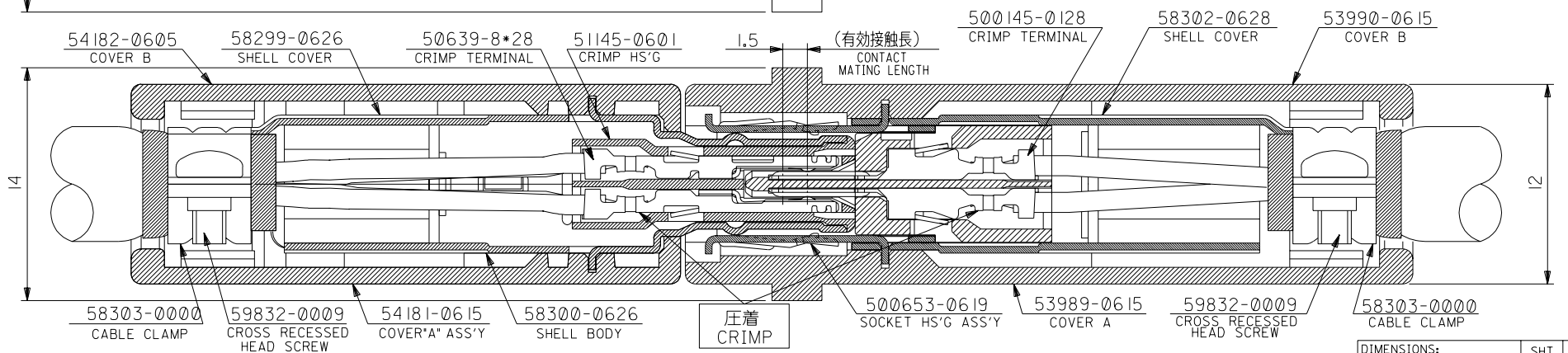
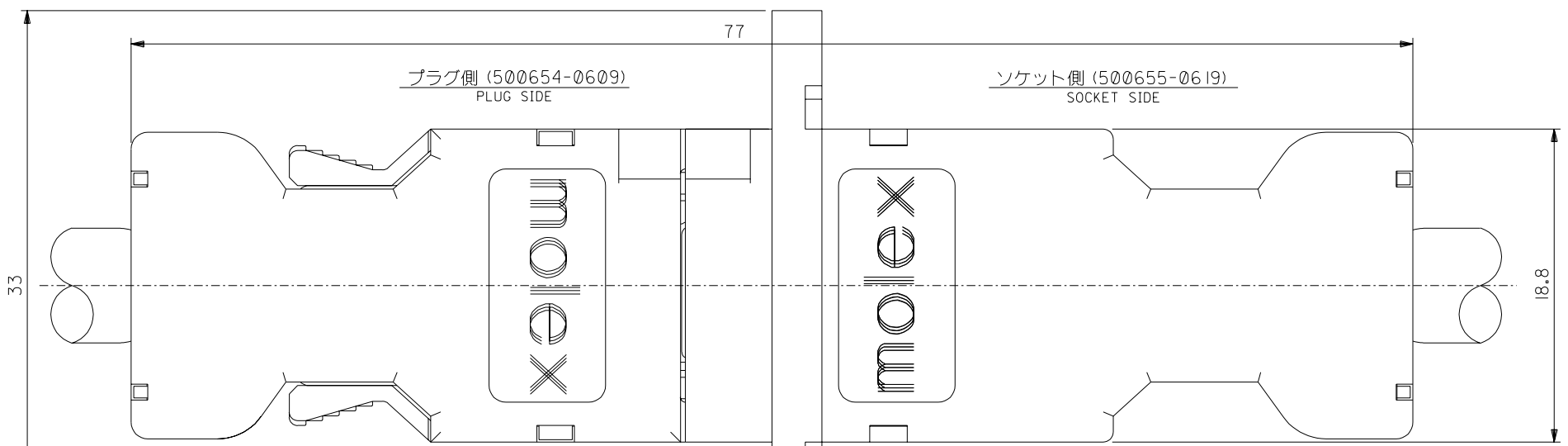


500655-0619	500655-**-19		
MATERIAL NO.	MODEL NO.		
DIMENSIONS: <input type="checkbox"/> mm <input type="checkbox"/> INCH <input checked="" type="checkbox"/> mm ONLY		SHT	REV
		REVISE ON CAD ONLY	

DO NOT SCALE DRAWING

EC NO. DRWN: CHK: APPR:	EC NO. DRWN: CHK: APPR:	EC NO. DRWN: CHK: APPR:	EC NO. DRWN: CHK: APPR:	EC NO. DRWN: CHK: APPR:	<p>RELEASED EC NO. J2004-3819 DRWN: H.KAWABATA '04/04/16 CHK: K.TOJO '04/04/16 APPR: M.SASAO '04/04/16</p>	<p>MATERIAL 材料</p> <p>FINISH 仕上げ</p> <p>WIRE RANGE 適用電線範囲</p> <p>INS. RANGE 被覆外径</p>	<p>GENERAL TOLERANCES: (UNLESS SPECIFIED) 一般公差</p> <p>10 UNDER 未満 ±0.2</p> <p>10 OVER 以上 30 UNDER 未満 ±0.25</p> <p>30 OVER 以上 ±0.3</p> <p>ANGLE 角度 ±3°</p>	<p>SCALE 1:1</p> <p>DESIGN UNITS <input checked="" type="checkbox"/> mm <input type="checkbox"/> INCH</p> <p>THIRD ANGLE PROJECTION</p> <p>DRAWN BY & DATE H.KAWABATA '04/04/16</p> <p>CHECKED BY & DATE K.TOJO '04/04/16</p> <p>APPROVED BY & DATE M.SASAO '04/04/16</p> <p>CAD FILENAME SD-500655-011.S01</p>	<p>TITLE: 2.0mm PITCH I/O CONN. SOCKET SET (CRIMP TYPE) -LEAD FREE-</p> <p>MOLEX MOLEX INCORPORATED</p>	<p>MATERIAL NO. SEE CHART</p> <p>DRAWING NO. SD-500655-011</p> <p>SHEET NO. 1 OF 2</p>	<p>THIS DRAWING CONTAINS INFORMATION THAT IS PROPRIETARY TO MOLEX INCORPORATED AND SHOULD NOT BE USED WITHOUT WRITTEN PERMISSION.</p> <p>SIZE B</p>
----------------------------------	----------------------------------	----------------------------------	----------------------------------	----------------------------------	--	--	---	---	---	--	---

DWG. NO.
SD-500655-011



DO NOT SCALE DRAWING

EC NO. DRAWN: CHK'g: APPR:	EC NO. DRAWN: CHK'g: APPR:	EC NO. DRAWN: CHK'g: APPR:	EC NO. DRAWN: CHK'g: APPR:	EC NO. DRAWN: CHK'g: APPR:
RELEASED				
EC NO. J2004-3819				
DRAWN: H.KAWABATA '04/04/16				
CHK'g: K.TOJO '04/04/16				
APPR: M.SASAO '04/04/16				
DESCRIPTION	MATERIAL			
FINISH	#			
WIRE RANGE	#			
INS. RANGE	#			

GENERAL TOLERANCES: (UNLESS SPECIFIED) 一般公差	SCALE 4 : 1	DESIGN UNITS <input checked="" type="checkbox"/> mm <input type="checkbox"/> INCH	THIRD ANGLE PROJECTION <input checked="" type="checkbox"/> mm <input type="checkbox"/> INCH	DIMENSIONS: <input type="checkbox"/> mm <input type="checkbox"/> INCH <input checked="" type="checkbox"/> mm ONLY	SHT REV
10 UNDER	±0.2	DRAWN BY & DATE H.KAWABATA '04/04/16		TITLE: 2.0mm PITCH I/O CONN. SOCKET SET (CRIMP TYPE) -LEAD FREE-	
10 OVER 30 UNDER	±0.25	CHECKED BY & DATE K.TOJO '04/04/16			
30 OVER	±0.3	APPROVED BY & DATE M.SASAO '04/04/16			
ANGLE	角度	±3°	CAD FILENAME SD-500655-011.S02	MATERIAL NO. SEE CHART	DRAWING NO. SD-500655-011
THIS DRAWING CONTAINS INFORMATION THAT IS PROPRIETARY TO MOLEX INCORPORATED AND SHOULD NOT BE USED WITHOUT WRITTEN PERMISSION.			SHEET NO. 2 OF 2		

MATERIAL NO. SEE CHART			DRAWING NO. SD-500655-011			SHEET NO. 2 OF 2		
SIZE B								