



## ATA-2001

Analog LVDT/RVDT Signal Conditioner with digital calibration

### SPECIFICATIONS

- ◆ 115 or 220 VAC line powered
- ◆ Microprocessor controlled calibration
- ◆ Superior digital filtering
- ◆ Selectable excitation frequencies & amplitudes
- ◆ Voltage and current outputs
- ◆ 250 to 1000Hz selectable frequency response
- ◆ Auto fallback synchronization
- ◆ Splash-proof front panel with status LEDs
- ◆ 1/8 DIN standard panel mounting

The ATA-2001 is a general purpose, AC line-powered, LVDT/RVDT analog signal conditioner with digital setup and calibration. The embedded microprocessor generates a PWM-shaped sine wave and handles all calibration functions. It also controls the demodulation, filtration and synchronization of the LVDT or RVDT transducer signal. All settings are stored in non-volatile memory for restoration on power up. Zero, Gain and Phase adjustments are accomplished via the use of splash-proof front panel pushbuttons and digital voltage dividers. Intended for the most demanding industrial applications, the ATA-2001 is CE certified, and has been rigorously tested to the highest industrial standards for EMI, RFI and ESD.

Designed for universal compatibility with 4, 5 and 6 electrical connection transducers, the ATA-2001 provides a wide range of oscillator frequencies, gains and two excitation voltages, affording maximum interface versatility. The very high drive current of 45mA allows operation with transducer input impedances as low as 12 Ohms (with 0.5 VRMS excitation). With high gain capability and low noise, the ATA-2001 provides measurement resolutions beyond most products currently available.

**The unique auto fall-back synchronization** feature allows reliable master/slave operation, for prevention of amplifier cross talk, without the worry of sync signal loss. If the internal processor in a slave amplifier detects an unstable or missing sync signal, the internal clock will take over, continuing at the pre-selected nominal frequency. Upon restoration of a normal sync pulse, the oscillator will return to the slave mode.

The ATA-2001 is contained within a rugged, one-piece, extruded aluminum housing which provides optimal amplifier performance under the most rigorous EMI and RFI conditions. An integral panel mounting system provides for convenient 1/8 DIN standard, panel installation. A pre-punched 19" rack adapter is also available to accommodate up to eight amplifiers per adapter installation.

### FEATURES

- ◆ Microprocessor controlled & non-volatile memory
- ◆ Phase shift compensation
- ◆ Auto fall-back synchronization
- ◆ Rugged extruded aluminum housing

### APPLICATIONS

- ◆ Power-gen turbine control
- ◆ Head box slice lip position control
- ◆ Roller gap position feedback
- ◆ Precision metrology labs

## PERFORMANCE SPECIFICATIONS

<b>ELECTRICAL SPECIFICATIONS</b>	
Line power requirements	115VAC $\pm 10\%$ , 50-400Hz; 220VAC $\pm 10\%$ , 50-400Hz ( <i>switch selectable</i> )
Line voltage regulation	$\pm 10\%$ , with no change in output
<b>Voltage output</b>	
Unipolar voltage output range	0 to 10VDC, with 10mA maximum current capability
Bipolar voltage output range	$\pm 10$ VDC (using 100% zero suppression), with 10mA maximum current capability
Noise and ripple (voltage output)	3mV RMS maximum @ 2.5KHz excitation frequency
Output impedance (voltage output)	1 $\Omega$ maximum
<b>Current output</b>	
Current output range	4 to 20mA
Internal loop supply voltage	18VDC
Maximum loop resistance	700 $\Omega$ with internal loop supply; 1000 $\Omega$ with 24VDC external supply ( <i>32vdc MAX</i> )
Noise and ripple (current output)	10 $\mu$ A rms (max)
<b>Analog outputs frequency response</b>	
Frequency response @ -3db	250Hz @ 2.5kHz excitation 500Hz @ 5.0kHz excitation 1000Hz @ 10kHz excitation
<b>Amplifier characteristics</b>	
Transducer FSO for 10 VDC output	High gain: 0.04 to 0.9 VRMS; Low gain: 0.5 to 10 VRMS ( <i>switch selectable</i> )
Input impedance	100k $\Omega$
Zero suppression range	$\pm 110\%$ of FSO
Phase shift compensation range	$\pm 120$ degrees maximum
Non-linearity and hysteresis	$\pm 0.05\%$ of FSO, maximum
Stability	$\pm 0.05\%$ of FSO, maximum, after 20 minute warm up
Temperature coefficient of output	$\pm 0.02\%$ of FSO per $^{\circ}$ F [ $\pm 0.036\%$ per $^{\circ}$ C] over the operating temperature range
<b>Transducer excitation</b>	
Voltage	0.5 or 3.5 VRMS, sine wave ( <i>switch selectable</i> )
Current	45mA RMS maximum
Frequency	2.5, 5 or 10kHz ( <i>switch selectable</i> )
<b>Transducer requirements</b>	
Transducer type	LVDT or RVDT with 4, 5 or 6 electrical connections
Input impedance (Primary)	12 $\Omega$ minimum with 0.5 VRMS excitation; 80 $\Omega$ minimum with 3.5 VRMS excitation
Full scale output	High gain: 0.04 to 0.9 VRMS; Low gain: 0.5 to 10 VRMS

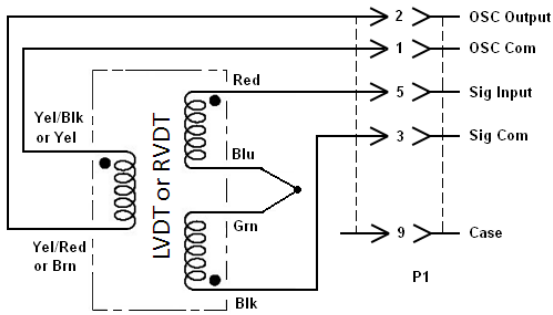
ENVIRONMENTAL AND MECHANICAL SPECIFICATIONS	
Operating temperature range	-40°F to +104°F [-40°C to +40°C]
Storage temperature range	-40°F to +257°F [-40°C to +125°C]
Weight	2.1lbs [950 grams]
Transducer electrical connections	DB-9S (See our transducer data sheets for jumper cables or connector option)
Output and sync connections	Barrier terminal strip
Mounting	1/8 DIN standard panel mounting (19" rack adapter for 8-up available)
IEC 60529 rating	IP61 (Front panel only)

**Notes:**

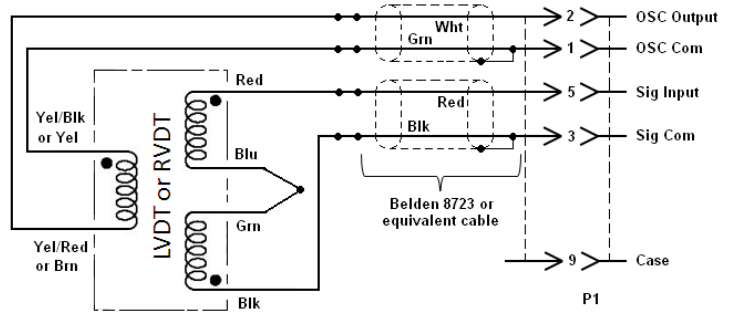
All values are nominal unless otherwise noted

FSO (Full Scale Output) is the largest absolute value of the outputs measured at the range ends

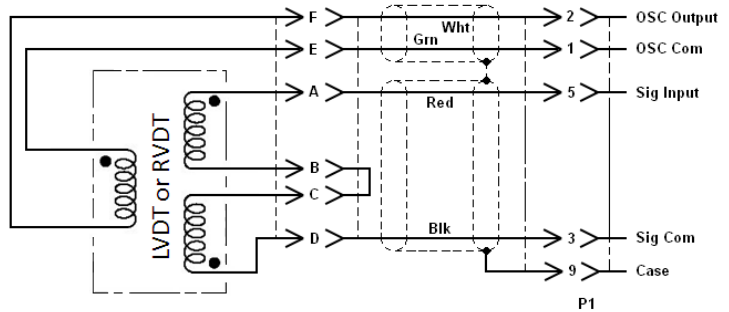
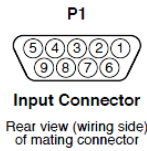
**WIRING – INPUT (TRANSDUCER)**



TRANSDUCER WITH LEADS OR CABLE

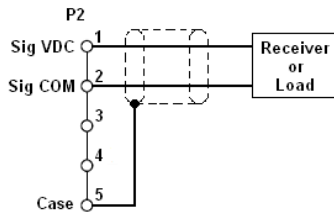


TRANSDUCER WITH LEADS AND SPliced CABLE

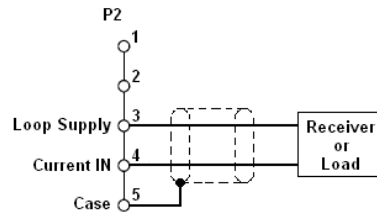


TRANSDUCER WITH CONNECTOR AND JUMPER CABLE

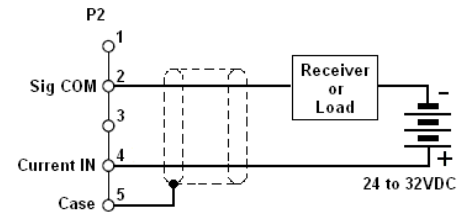
**WIRING – OUTPUT**



VOLTAGE OUTPUT



4.20mA OUTPUT USING THE INTERNAL LOOP SUPPLY

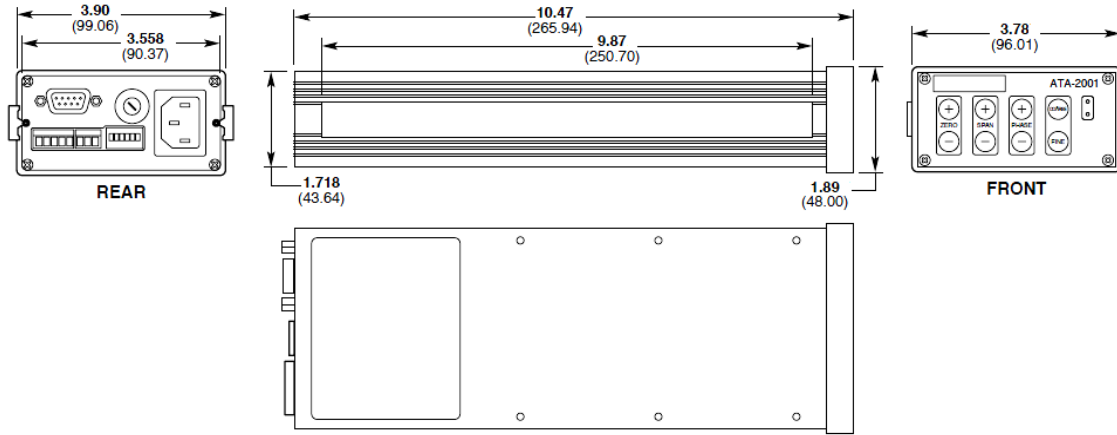


4.20mA OUTPUT USING AN EXTERNAL LOOP SUPPLY

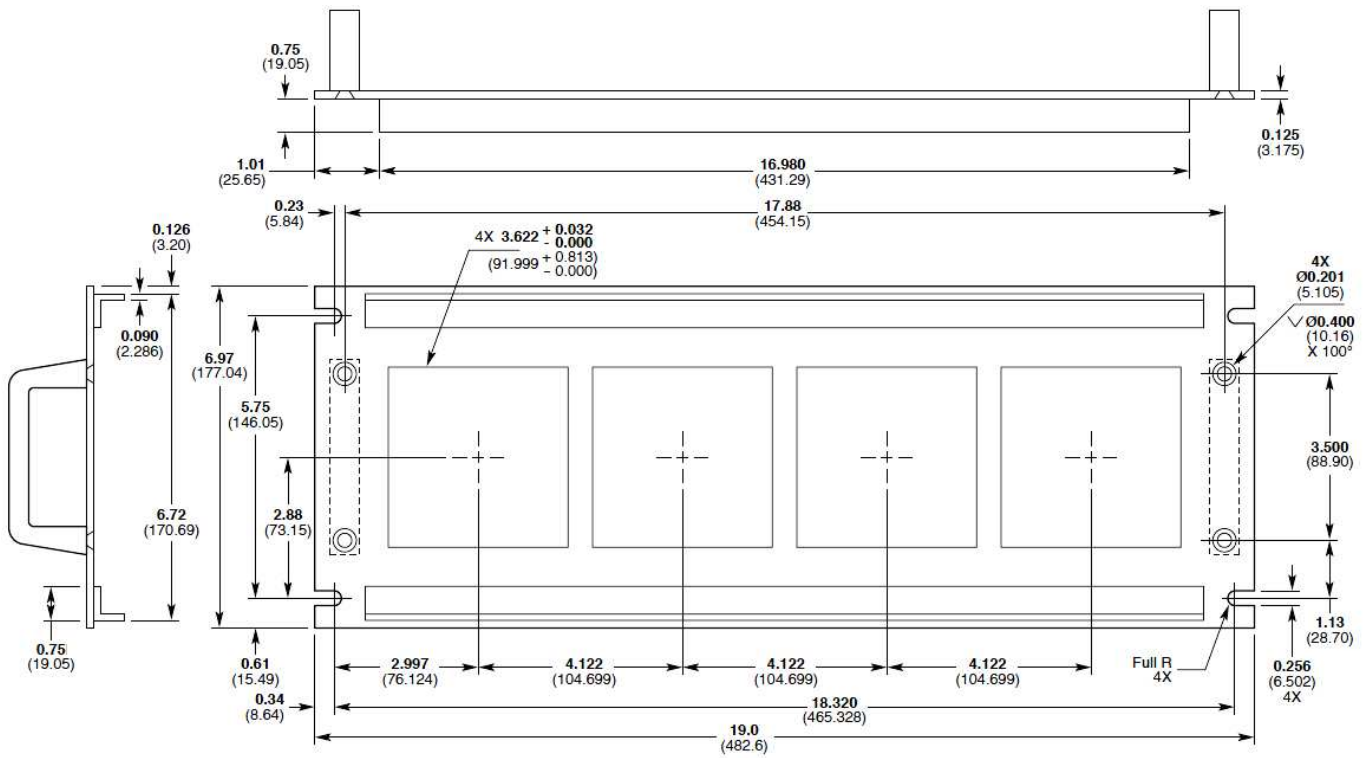
# ATA-2001

Analog LVDT/RVDT Signal Conditioner with digital calibration

## DIMENSIONS



## DIMENSIONS - RACK ADAPTOR (sold separately)



Accommodates up to eight ATA-2001 Amplifiers  
Dimensions are in inch (mm)

## ATA-2001

Analog LVDT/RVDT Signal Conditioner with digital calibration

### ORDERING INFORMATION

Description	Part Number
ATA-2001 LVDT/RVDT Signal Conditioner	02291327-000
Rack Adaptor for up to 8 signal conditioners <i>(ATA-2001 conditioners not included)</i>	05290032-000
Cable to connect HCA/HCI Series LVDTs, GCA Series Gage Heads, and R36AS RVDT to ATA-2001 (1) <i>(PTO6A-10-6S to DB-9P connector)</i>	04290457-000
Extension cable to connect LBB Series (option -004) Gage Heads to ATA-2001 (1) <i>(DB-9S to DB-9P connector)</i>	04290565-000
Extension Cable to connect LBB (option -001) to ATA-2001 (1) <i>(PTO6A-10-6S to DB-9P connector)</i>	04290577-000

(1) All cables are shielded, 10 foot long, and are rated 80°C [176°F] operating. Consult factory for other lengths.

#### NORTH AMERICA

Measurement Specialties, Inc.,  
a TE Connectivity Company  
Phone +1-800-522-6752  
Email: [customercare.pens@te.com](mailto:customercare.pens@te.com)

#### EUROPE

MEAS Deutschland GmbH(Europe)  
a TE Connectivity Company  
Phone: +49-800-440-5100  
Email: [customercare.dtmd@te.com](mailto:customercare.dtmd@te.com)

#### ASIA

Measurement Specialties (China), Ltd.,  
a TE Connectivity Company  
Phone: +86-400-820-6015  
Email: [customercare.shzn@te.com](mailto:customercare.shzn@te.com)

#### [TE.com/sensorsolutions](http://TE.com/sensorsolutions)

Measurement Specialties, Inc., a TE Connectivity company.

Accustar, American Sensor Technologies, AST, ATEXIS, DEUTSCH, IdentiCal, TruBlue, KPSI, Krystal Bond, Microfused, UltraStable, Measurement Specialties, MEAS, Schaevitz, TE Connectivity, TE, and the TE connectivity (logo) are trademarks of the TE Connectivity Ltd. family of companies. Other logos, product and company names mentioned herein may be trademarks of their respective owners.

The information given herein, including drawings, illustrations and schematics which are intended for illustration purposes only, is believed to be reliable. However, TE Connectivity makes no warranties as to its accuracy or completeness and disclaims any liability in connection with its use. TE Connectivity's obligations shall only be as set forth in TE Connectivity's Standard Terms and Conditions of Sale for this product and in no case will TE Connectivity be liable for any incidental, indirect or consequential damages arising out of the sale, resale, use or misuse of the product. Users of TE Connectivity products should make their own evaluation to determine the suitability of each such product for the specific application.