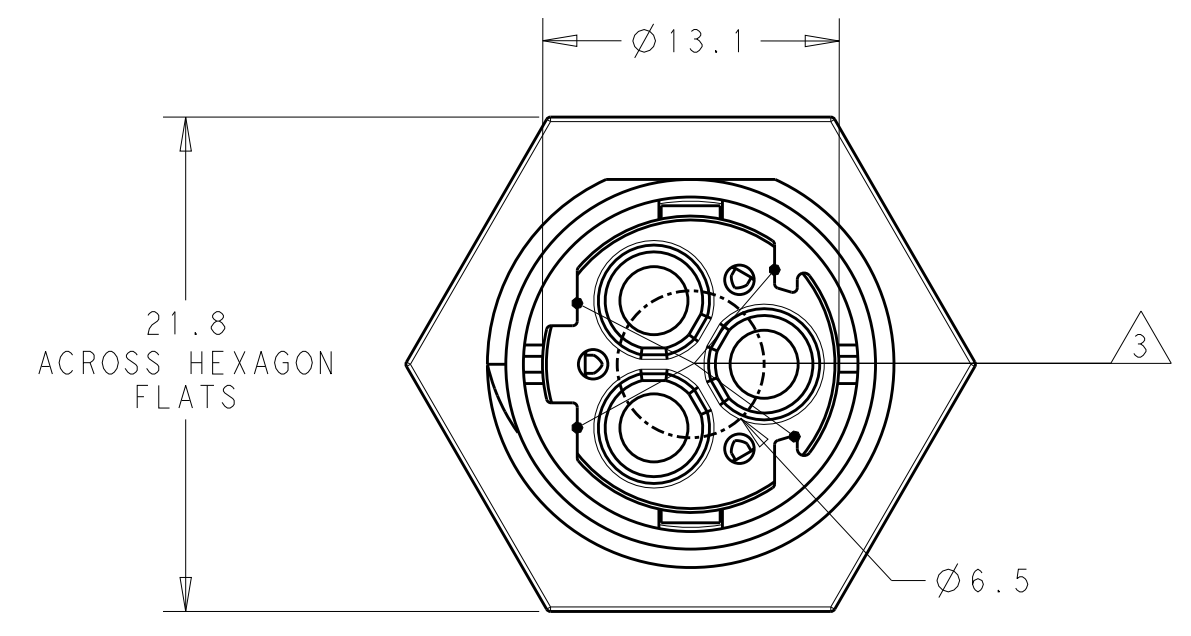


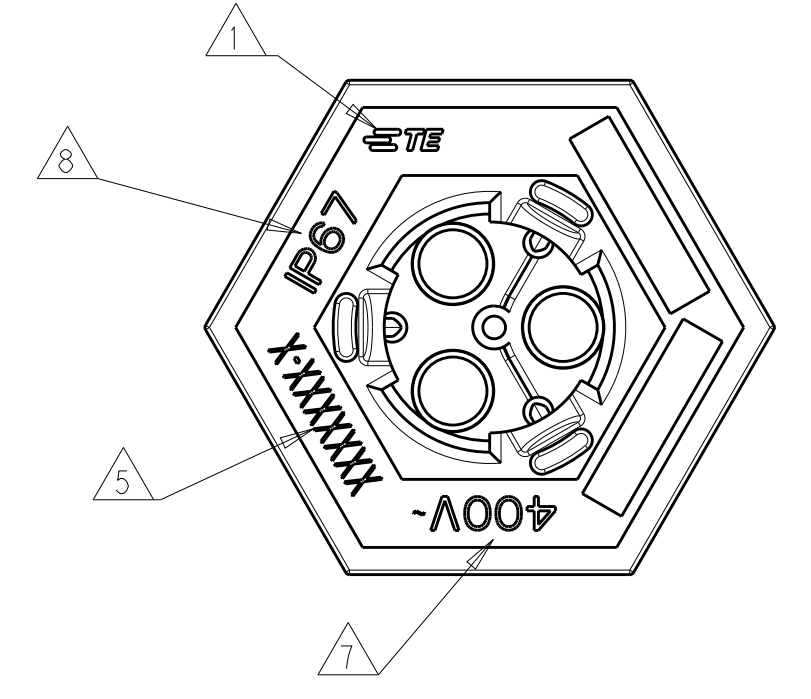
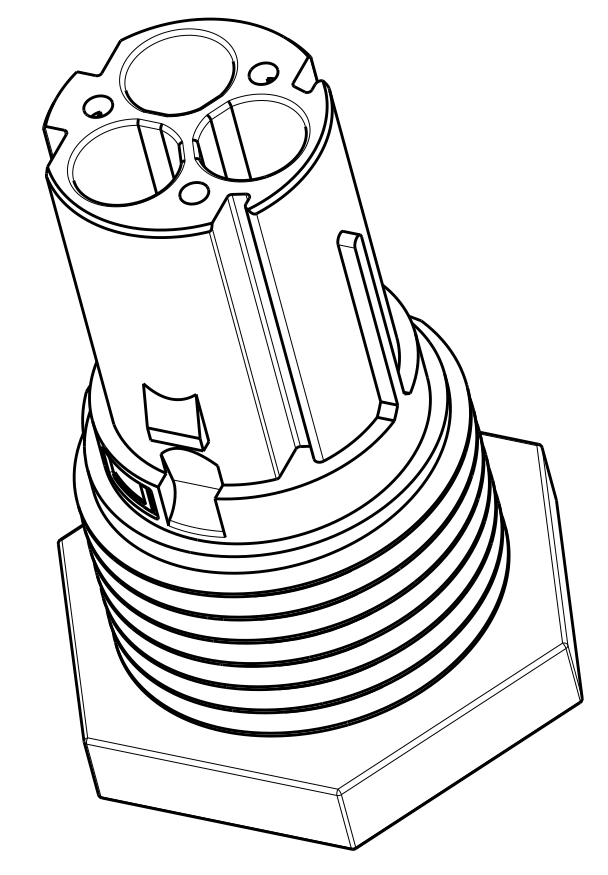
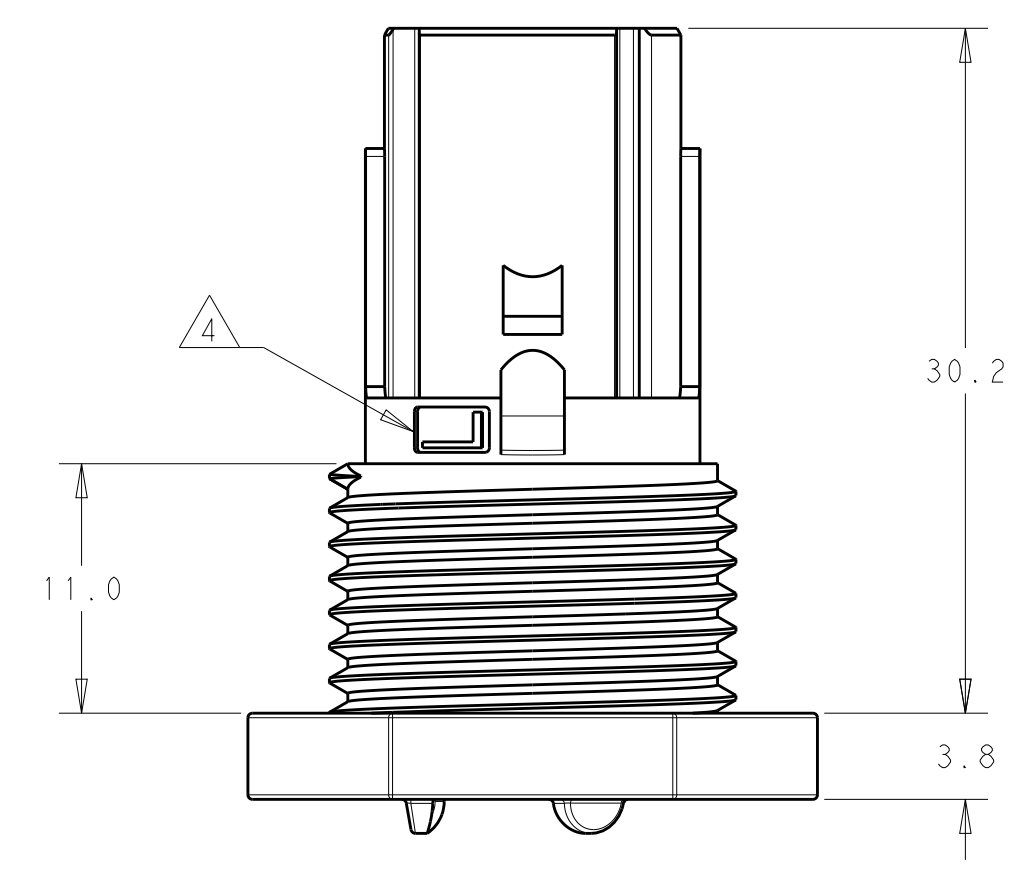
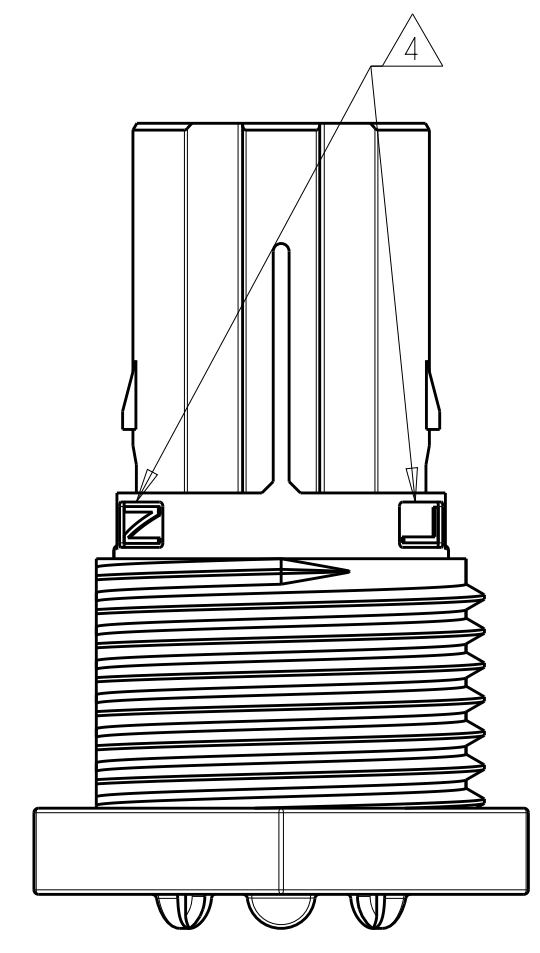
THIS DRAWING IS UNPUBLISHED. RELEASED FOR PUBLICATION 20
 © COPYRIGHT 20 BY - ALL RIGHTS RESERVED.

REVISIONS					
P	LTR	DESCRIPTION	DATE	DWN	APVD
A		REVISED AS PER ECR-15-005925	21APR2015	RS	JL
B		REVISED AS PER ECR-15-009789	07JUL2015	RS	JL
B1		REVISED AS PER ECR-15-011223	06AUG2015	RS	JL
B2		ECR-18-006945	05JUL2018	SR	MZ



NOTES:

- MATERIAL: GLASS FILLED PBT, COLOR: BLACK
- MUST COMPLY WITH DIRECTIVE 2002/95/EC (ROHS)
- ALL POLARIZATION KEYS SHOWN FOR REF ONLY.
- CIRCUIT I.D.
- TE PART NUMBER
- TE LOGO
- VOLTAGE RATING
- IP CODE
- THIS PRODUCT HAS NOT COMPLETED VALIDATION TESTING



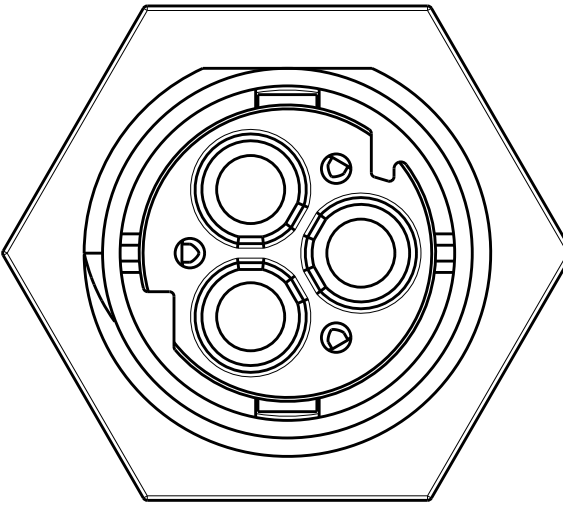
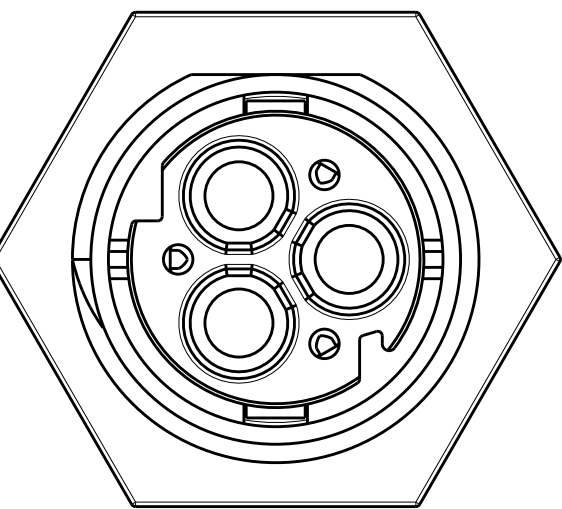
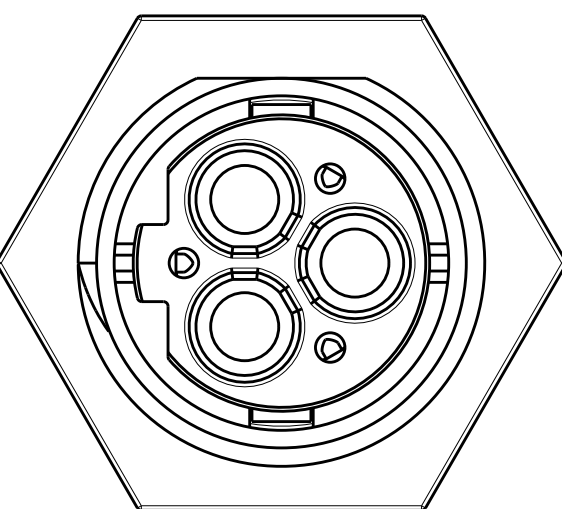
OBSOLETE	C	PANEL MOUNT PIN SEALED NECTOR 3 POSITION	2213464-3
	B	PANEL MOUNT PIN SEALED NECTOR 3 POSITION	2213464-2
	A	PANEL MOUNT PIN SEALED NECTOR 3 POSITION	2213464-1
	POLARIZATION TYPE	DESCRIPTION	PART NUMBER

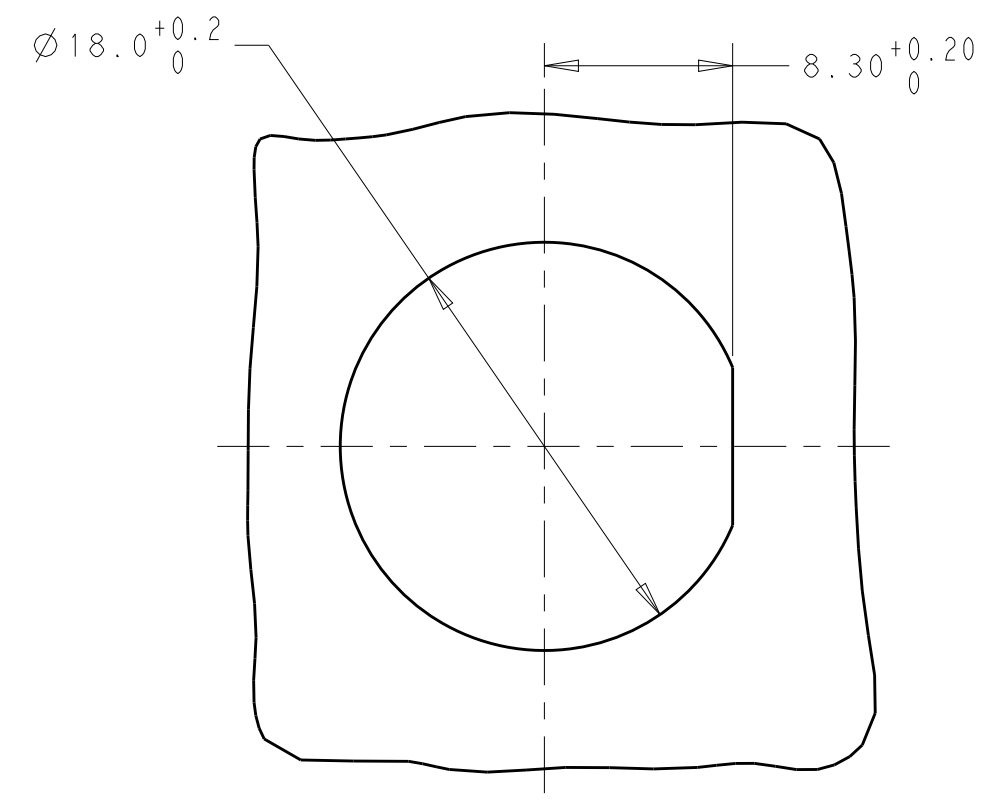
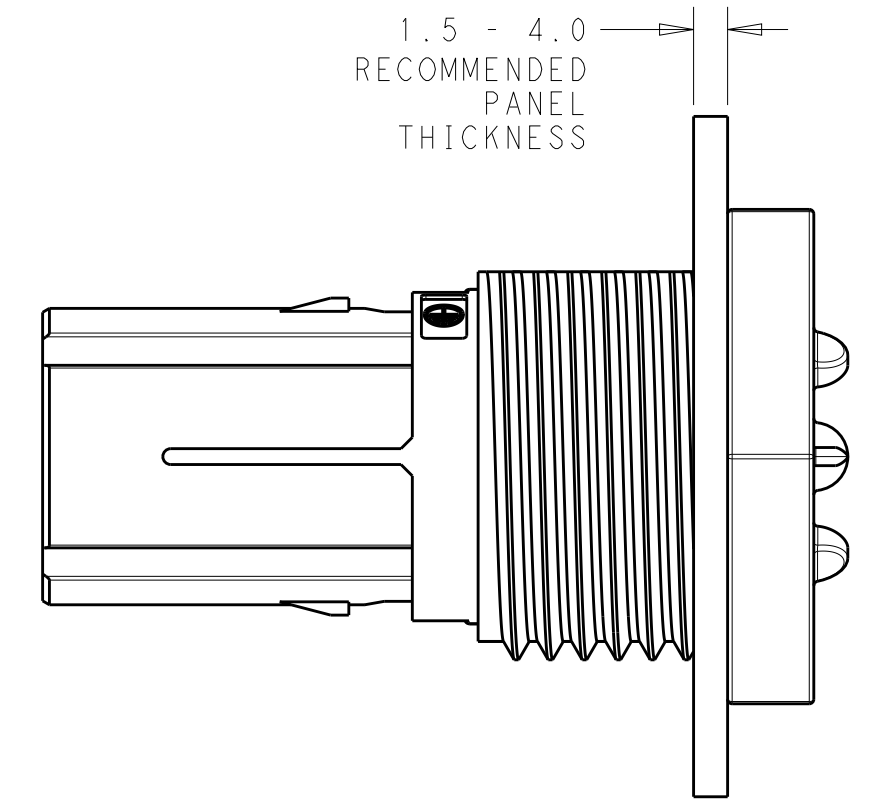
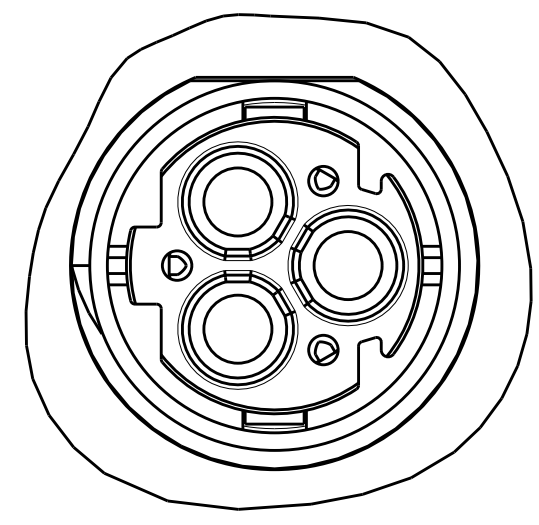
DIMENSIONS:		TOLERANCES UNLESS OTHERWISE SPECIFIED:		DWN		CHK		APVD		NAME	
mm		0 PLC	±	J. SHAFFER	20MAR2014	M. LUKSIC	20MAR2014	M. LUKSIC	20MAR2014	PANEL MOUNT, PIN; SEALED NECTOR M 3 POSITION	
		1 PLC	±0.3	PRODUCT SPEC		108-133014		APPLICATION SPEC		SIZE	CAGE CODE
		2 PLC	±0.20	WEIGHT		-		114-32111		A2	-
		3 PLC	±	Customer Drawing		SCALE		2:1		SHEET	1 OF 2
		4 PLC	±							REV	B2
		ANGLES	±3°								
		FINISH	-								
MATERIAL	TBD		-								

THIS DRAWING IS UNPUBLISHED. RELEASED FOR PUBLICATION 20
 © COPYRIGHT 20 BY - ALL RIGHTS RESERVED.

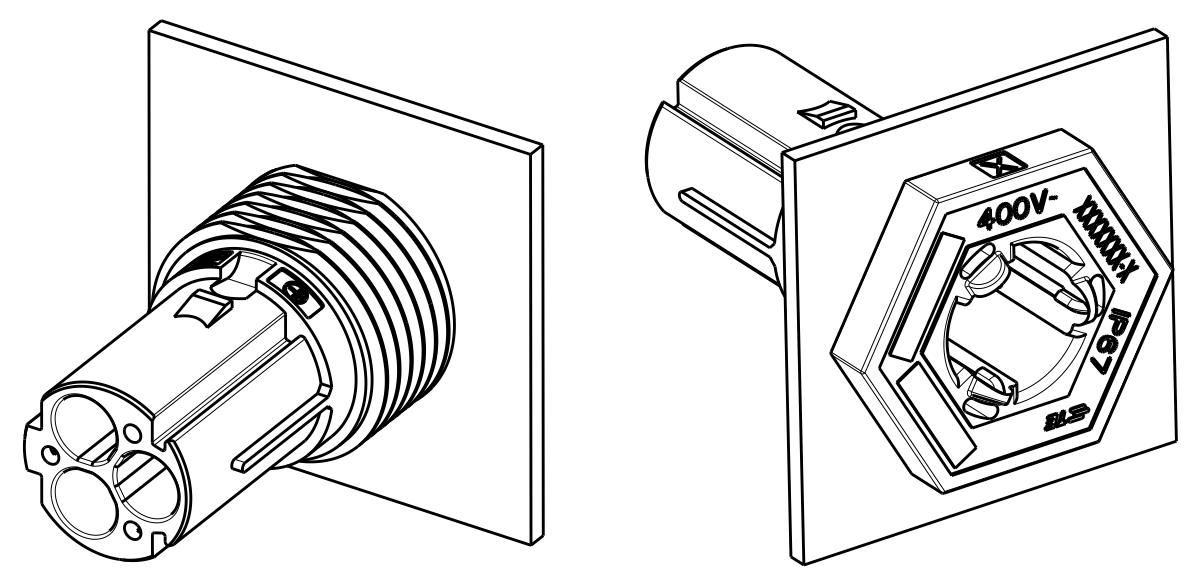
REVISIONS				
P	LTR	DESCRIPTION	DATE	APVD
-		SEE SHEET 1	-	-

POLARIZATION TYPES


POLARIZATION TYPE "A"	POLARIZATION TYPE "B"	POLARIZATION TYPE "C"
		
PN 2213464-1	PN 2213464-2	PN 2213464-3



RECOMMENDED
PANEL CUTOUT



3D VIEWS
FOR REFERENCE ONLY

THIS DRAWING IS A CONTROLLED DOCUMENT.		DWN J. SHAFFER 20MAR2014	 TE Connectivity	
DIMENSIONS: mm		CHK M. LUKSIC 20MAR2014		
TOLERANCES UNLESS OTHERWISE SPECIFIED:		APVD M. LUKSIC 20MAR2014	NAME PANEL MOUNT, PIN; SEALED NECTOR M 3 POSITION	
0 PLC ±	1 PLC ±0.3	PRODUCT SPEC 108-133014	SIZE A2	CAGE CODE -
2 PLC ±0.20	3 PLC ±	APPLICATION SPEC 114-32111	DRAWING NO. G-2213464	RESTRICTED TO -
4 PLC ±	ANGLES ±3°	WEIGHT -	SCALE 2:1	SHEET 2 OF 2
MATERIAL TBD	FINISH -	Customer Drawing	REV B2	