

Long Nose Pliers

DIN ISO 5745

30

- > heavy-duty gripping pliers
- > different jaw styles for a wide range of applications
- > chrome vanadium electric steel; forged, oil-hardened

Style 1

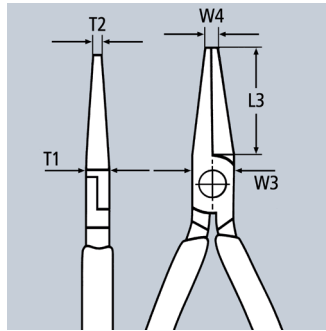
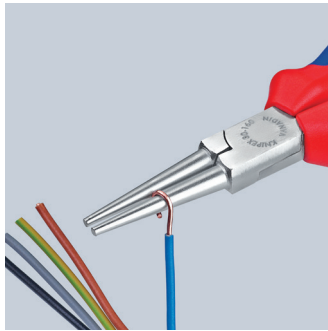
Long, trapezoidal jaws; serrated gripping surfaces

Style 2

Long, half-round jaws; serrated gripping surfaces

Style 3

Long, round jaws; smooth gripping surfaces



30 11 160



30 21 160



30 36 160



Product Number	Packaging	↔ Inch mm		Pliers	Head	Handles	Style	Dimensions					⚖ lbs
								L3 Inch mm	W3 Inch mm	T1 Inch mm	W4 Inch mm	T2 Inch mm	
30 11 140		5 1/2 140					1	1 21/32 42.0	19/32 15.0	5/16 8.0	3/32 2.5	5/32 4.0	0.19
30 11 160		6 1/4 160		black atramentized	polished	plastic coated	1	1 53/64 46.5	21/32 16.5	3/8 9.5	1/8 3.0	13/64 5.0	0.27
30 11 190		7 1/2 190					1	1 31/32 50.0	47/64 18.5	3/8 9.5	1/8 3.0	9/32 7.0	0.31
30 16 160		6 1/4 160	 	chrome plated	chrome plated	insulated, multi-component grips, VDE-tested	1	1 53/64 46.5	21/32 16.5	3/8 9.5	1/8 3.0	13/64 5.0	0.33
30 21 140		5 1/2 140					2	1 21/32 42.0	19/32 15.0	5/16 8.0	3/32 2.5	5/64 2.0	0.21
30 21 160		6 1/4 160		black atramentized	polished	plastic coated	2	1 31/32 50.0	21/32 16.5	3/8 9.5	1/8 3.0	3/32 2.5	0.27
30 21 190		7 1/2 190					2	1 31/32 50.0	47/64 18.5	5/16 8.0	1/8 3.0	3/32 2.4	0.30
30 31 160		6 1/4 160		black atramentized	polished	plastic coated	3	1 19/32 41.0	21/32 16.5	3/8 9.5	13/64 5.0	3/32 2.5	0.24
30 36 160		6 1/4 160	 	chrome plated	chrome plated	insulated, multi-component grips, VDE-tested	3	1 19/32 41.0	21/32 16.5	3/8 9.5	13/64 5.0	3/32 2.5	0.31