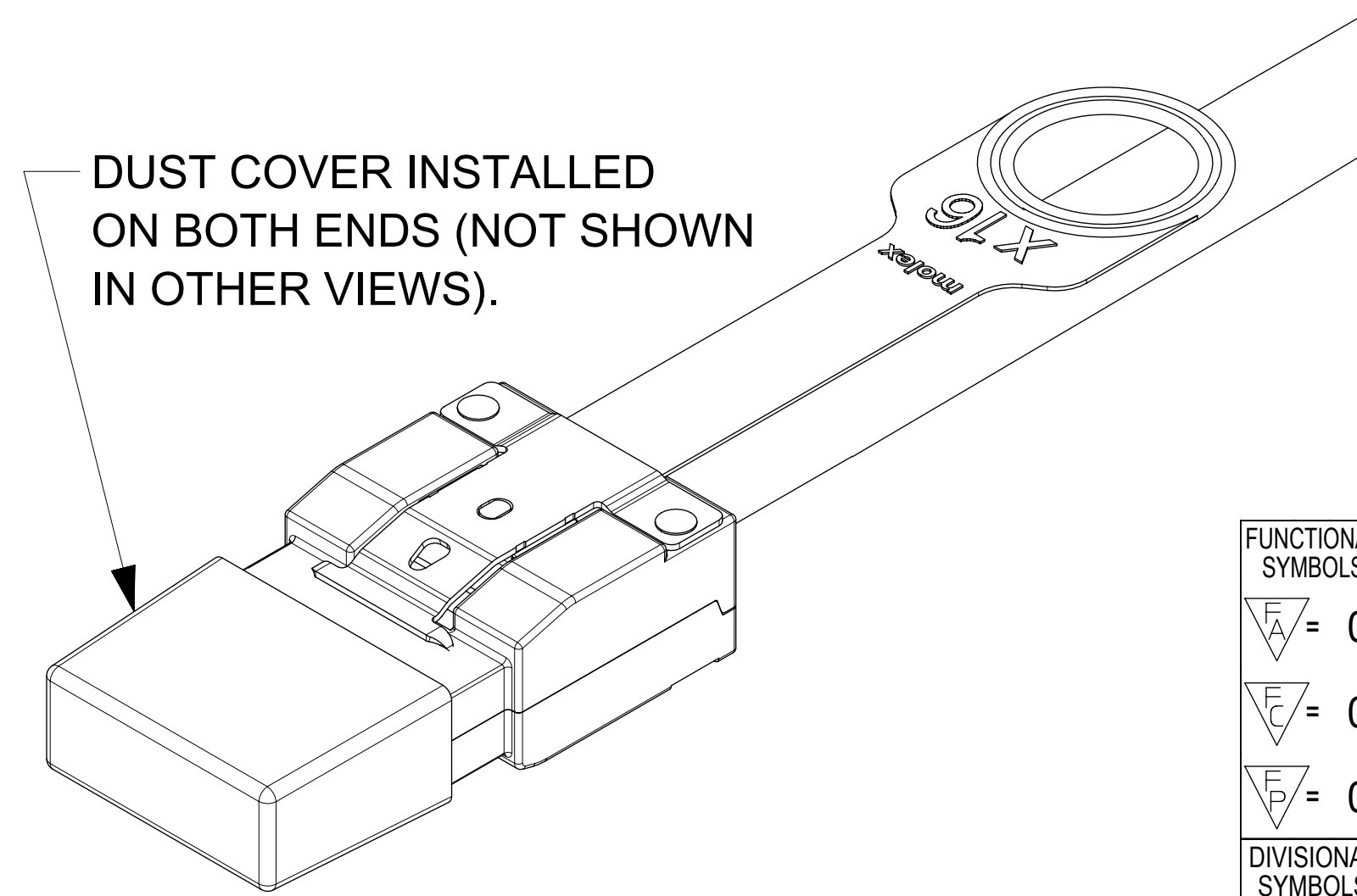


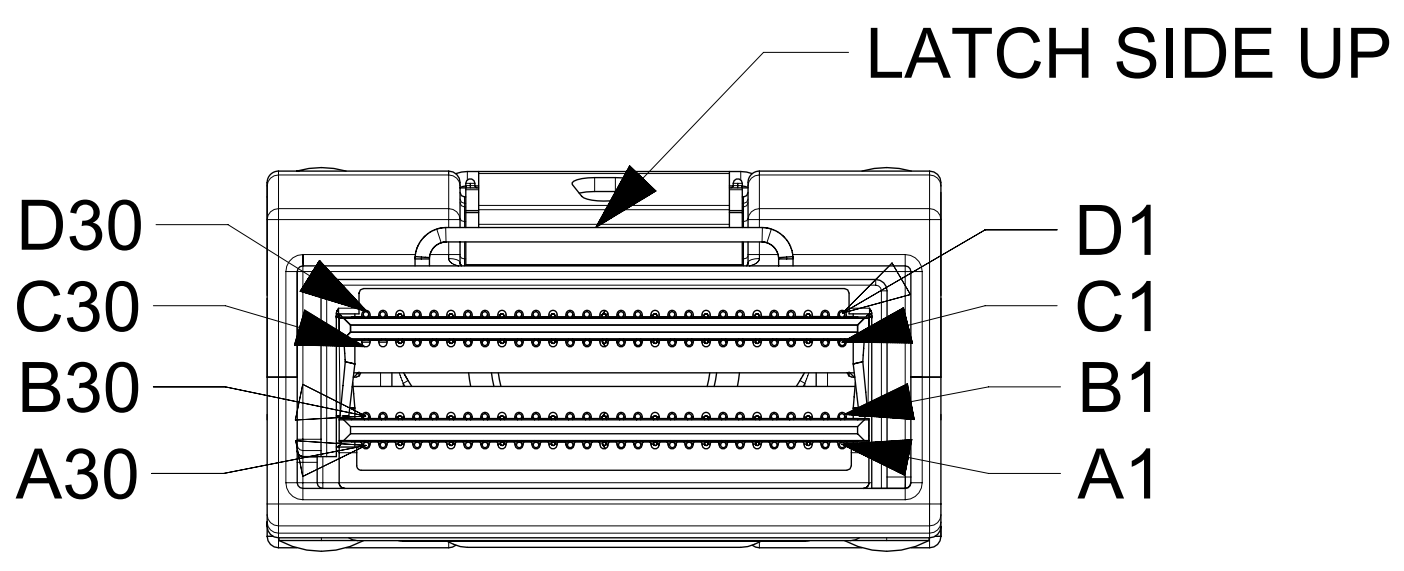
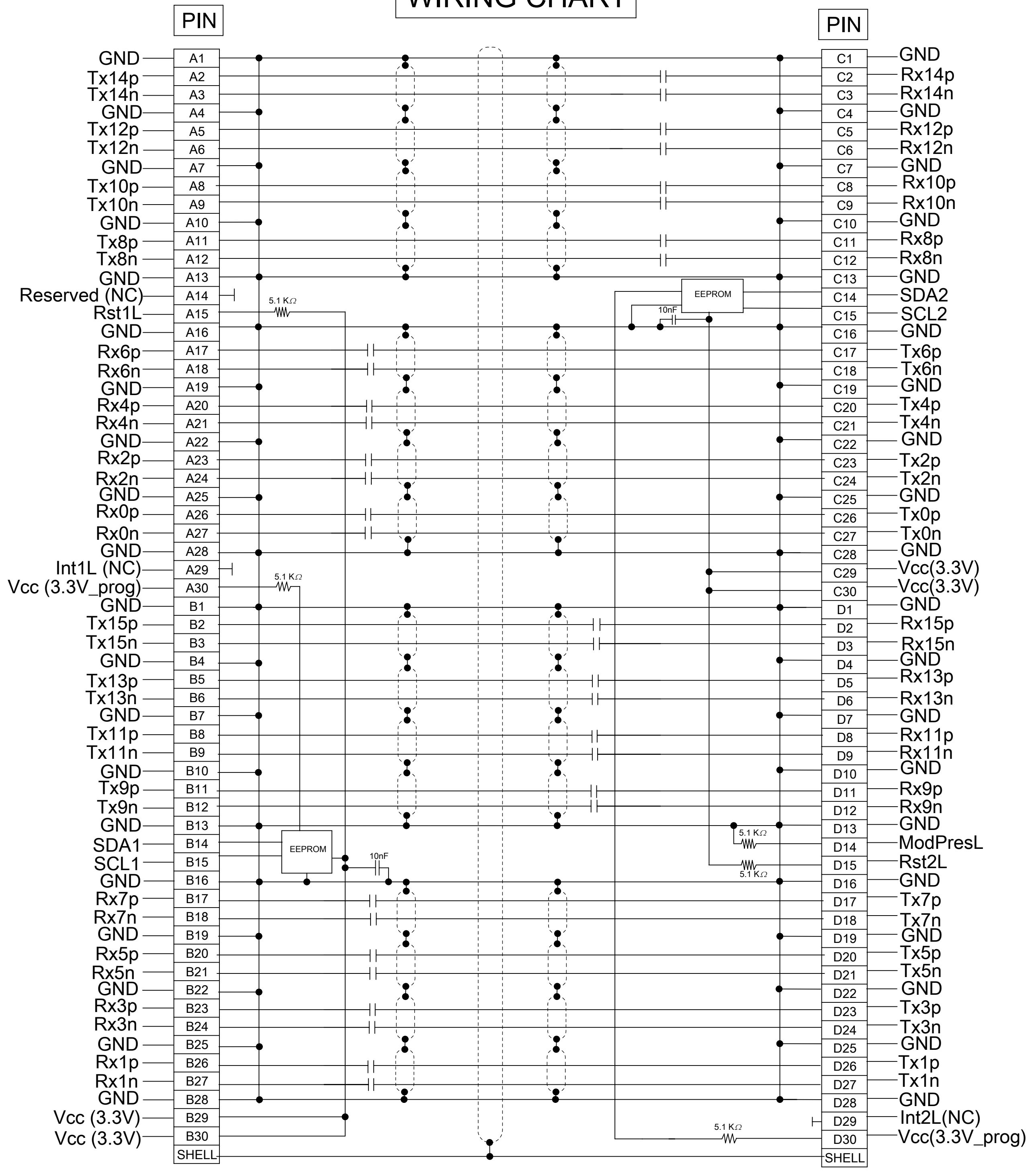
MOLEX PART NUMBER	LENGTH (M)	TOLERANCE (M)	DATA RATE (Gbps)	AWG	IMPEDANCE (Ohms)
2010691000	0.5	± 0.05	25	30	90
2010691001	1.0	± 0.05	25	30	90
2010691002	1.5	± 0.08	25	30	90
2010691003	2.0	± 0.08	25	30	90
2010691004	2.5	± 0.08	25	30	90



- NOTES:
- MATERIALS:
 BACKSHELLS - ZINC DIE CAST WITH BRIGHT NICKEL PLATING
 LATCH - STAINLESS STEEL
 PULL - NYLON
 RIVETS - STAINLESS STEEL
 - PLUG MATES TO CONNECTOR SERIES 173359, CDFP STYLE 1 KEY.
 - RoHS COMPLIANT, NO EXEMPTIONS.
 - P/N LABELS REQUIRED ON BOTH ENDS FOR CABLES OVER 1M.
 - EPROM MAP AVAILABLE UPON REQUEST.

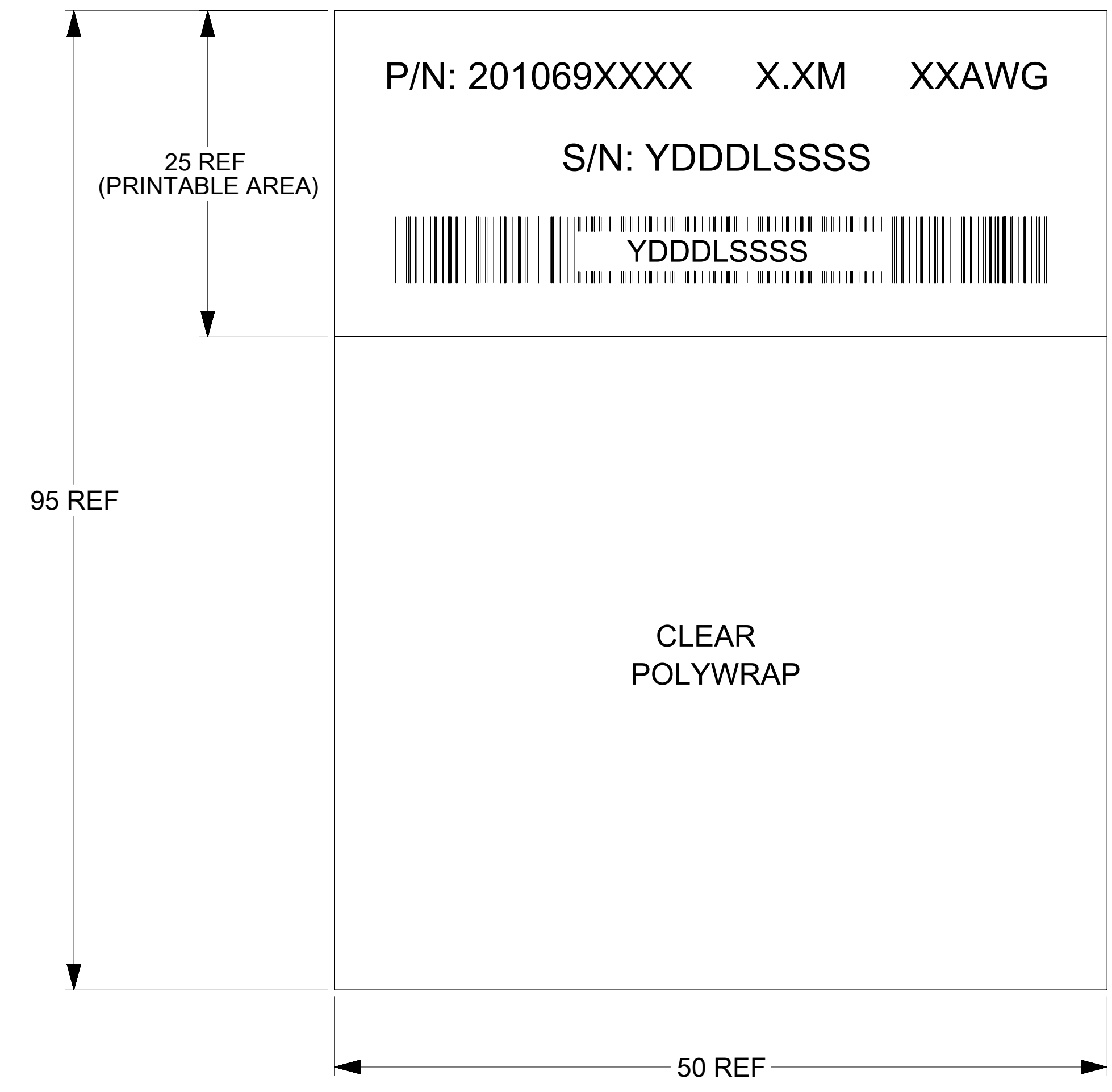
FUNCTIONAL SYMBOLS $\nabla_A = 0$ $\nabla_C = 0$ $\nabla_P = 0$ DIVISIONAL SYMBOLS 4 PLACES ± 3 PLACES ± 2 PLACES ± 1 PLACE ± 0 PLACES ±	THIS DRAWING CONTAINS INFORMATION THAT IS PROPRIETARY TO MOLEX ELECTRONIC TECHNOLOGIES, LLC AND SHOULD NOT BE USED WITHOUT WRITTEN PERMISSION		CURRENT REV DESC: CHANGED WIRING CHART STYLE IN SHT 2		
	DIMENSION UNITS: mm	SCALE: 2:1	GENERAL TOLERANCES (UNLESS SPECIFIED)		
	ANGULAR TOL ± °		EC NO: 643177		
	DRAFT WHERE APPLICABLE MUST REMAIN WITHIN DIMENSIONS		THIRD ANGLE PROJECTION		
DRW: JJACKSON02 2018/08/22		CHK'D: SKAMATHN 2020/08/11		APPR: KNAGANNA 2020/08/12	
DRW: DMCENTIRE 2016/05/25		APPR: CHIRSCHY 2017/01/09		INITIAL REVISION:	
D-SIZE		SERIES 201069		DOCUMENT NUMBER 2010691000	
MATERIAL NUMBER SEE TABLE		CUSTOMER GENERAL MARKET		DOC TYPE PSD	
SHEET NUMBER 1 OF 2		REV 000		REV F	

WIRING CHART



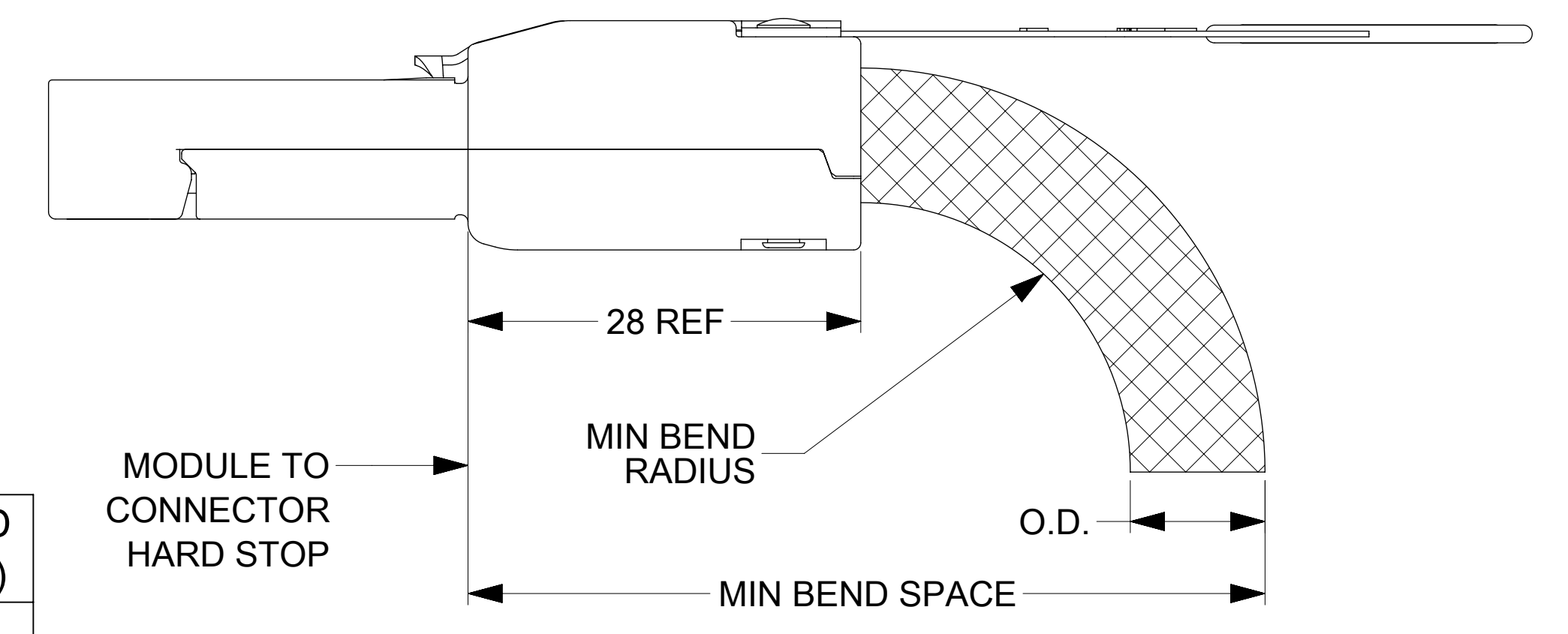
(VIEWED FROM MATING SIDE OF PLUG)

CABLE LABEL DETAIL



- LABEL NOTES:**
- X.XM-LENGTH (EXAMPLE: 1.0M, 3.0M, 5.0M, ETC.)
XXAWG-WIRE GAUGE (EXAMPLE: 30AWG)
 - BARCODE MUST MATCH PRINTED SERIAL NUMBER (BARCODE CODE 39)
SERIAL NUMBER YDDDLSSSS
Y-YEAR, THE LAST DIGIT OF THE YEAR
DDD-DAY OF THE YEAR
L-MANUFACTURING LOCATION
1=USA
2=MEXICO
3=CHINA
SSSS-SERIAL NUMBER (0001-9999)
 - LABEL FONT-ZEBRA FONT 0
 - SINGLE SPACE AFTER COLONS

(NOT TO SCALE)



AWG	O.D. (mm)	MINIMUM BEND RADIUS (mm)	MINIMUM BEND SPACE (mm)
30	9.5	47.5	85

FUNCTIONAL SYMBOLS FA = 0 FE = 0 FP = 0 DIVISIONAL SYMBOLS	THIS DRAWING CONTAINS INFORMATION THAT IS PROPRIETARY TO MOLEX ELECTRONIC TECHNOLOGIES, LLC AND SHOULD NOT BE USED WITHOUT WRITTEN PERMISSION		CURRENT REV DESC: CHANGED WIRING CHART STYLE IN SHT 2				
	DIMENSION UNITS: mm SCALE: 1:1	GENERAL TOLERANCES (UNLESS SPECIFIED) ANGULAR TOL: ± °		EC NO: 643177 DRWN: JJACKSON02 2018/08/22 CHK'D: SKAMATHN 2020/08/11 APPR: KNAGANNA 2020/08/12			
	4 PLACES ± 3 PLACES ± 2 PLACES ± 1 PLACE ± 0 PLACES ±		INITIAL REVISION: DRWN: DMCENTIRE 2016/05/25 APPR: CHIRSCHY 2017/01/09				
DRAFT WHERE APPLICABLE MUST REMAIN WITHIN DIMENSIONS		THIRD ANGLE PROJECTION	DRAWING: D-SIZE	SERIES: 201069	MATERIAL NUMBER: SEE TABLE	CUSTOMER: GENERAL MARKET	SHEET NUMBER: 2 OF 2