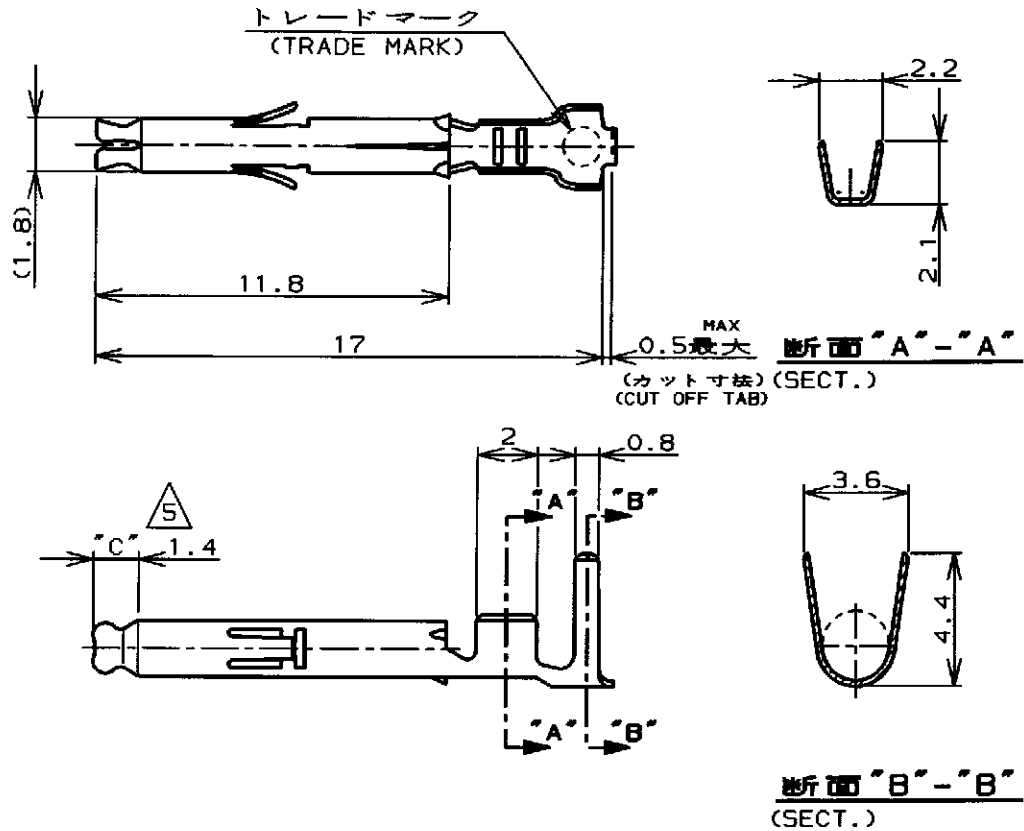


LOC	DTST	REVISIONS					
		P	LTR	DESCRIPTION	DATE	DWN	APVD
J			E	REVISED PER ECR-20-100815	01DEC2020	BDA	SW
			E1	REVISED PER ECR-21-102346	29APR2021	JP	VS



NOTES;

1. APPLICABLE HOUSING : CAP AND PLUG.
2. PRODUCT SPECIFICATION 108-5138
3. APPLICATION SPECIFICATION 114-5050
4. INSTRUCTION SHEET IS-105J
5. SELECTIVE GOLD PLATED AREA "C"  
0.0004mm MIN THICK OVER Ni PLATE  
ON INSIDE SURFACE
6. DOUBLE CRIMPING INSURATION DIA  
3.4mm MAX.

	錫めつき付・燐青銅 (PRE-TIN・PHOZ BRO)	-4	-4
	金めつき・黄銅 (GOLD PLATE・BRASS) 5	-3	-3
170359, 170360 170363, 170364	錫めつき付・黄銅 (PRE-TIN・BRASS)	170362-1	170366-1
嵌合相手型番 (MATING P/N)	材料・仕上 (MATERIAL・FINISH)	連鎖状端子型番 (STRIP P/N)	型番 (P/N)

WIRE RANGE  
 総合電線断面積  
 0.30-0.89mm<sup>2</sup> (AWG #22~#18)

INSULATION DIA  
 被覆外径  
 1.5~2.4mm

RELEASED FOR PUBLICATION  
 ALL RIGHTS RESERVED.

THIS DRAWING IS UNPUBLISHED.  
 COPYRIGHT

DIMENSIONS,  
 単位 概  
 mm

TOLERANCES UNLESS  
 OTHERWISE SPECIFIED:  
 一般公差  
 ±0.4, ±1°0'

DWN  
 7. Yamamoto 11 JUN 98

CHK  
 M. Sluice 15 JUN 98

APVD  
 M. Sluice 15 JUN 98

PRODUCT SPEC  
 製品規格  
 注記参照 (SEE NOTES) 2

APPLICATION SPEC  
 取付適用規格  
 注記参照 (SEE NOTES) 3

WEIGHT  
 //

MATERIAL 表参照  
 材料 (SEE TABLE) 0.2t

FINISH 表参照  
 仕上 (SEE TABLE)

**TE** TE Connectivity

NAME  
 名称  
 ミニユニバーサルメイトンロックソケットコンタクトばら状端子  
 MINI UNIVERSAL MATE-N-LOK SOCKET CONTACT LOOSE PIECE

SIZE  
 A4

CAGE CODE  
 00779

DRAWING NO  
 番号  
 C-170366

CUSTOMER DRAWING

SCALE 尺度 //

SHEET 1 OF 1

REV E1