

Product data sheet

Specifications



Pre wired connectors XZ, elbowed female, 1/2"20 UNF, 3 pins, cable PUR 5 m

XZCP1965L5

Main

| | |
|------------------------------------|----------------------------------|
| Range of product | Telemecanique Cabling components |
| Accessory / separate part category | Cabling accessory |
| Accessory / separate part type | Pre-wired connectors |
| Series name | General purpose |

Complementary

| | |
|--------------------------------|---|
| Electrical connection | Elbowed female connector 1/2"20 UNF, 3 pins |
| Cable connector fixing | Screw-on |
| Collar material | Metal |
| Status LED | Without |
| Cable length | 5 m |
| Cable outer diameter | 5.2 mm |
| Cable composition | 3 x 0.34 mm ² |
| Wire insulation material | PUR |
| [Ue] rated operational voltage | 250 V AC 300 V DC |
| [In] rated current | 4 A |
| Contact resistance | 5000 µOhm |
| Minimum insulating resistance | 1 GΩ |
| Net weight | 0.18 kg |

Environment

| | |
|---------------------------------------|--|
| IP degree of protection | IP67 |
| Product certifications | cULus |
| Ambient air temperature for operation | -35...90 °C static -5...90 °C flexing |
| Ambient air temperature for storage | -35...100 °C |

Packing Units

| | |
|------------------------|-----|
| Unit Type of Package 1 | PCE |
|------------------------|-----|

| | |
|-------------------------------------|----------|
| Number of Units in Package 1 | 1 |
| Package 1 Height | 3.8 cm |
| Package 1 Width | 24.0 cm |
| Package 1 Length | 28.5 cm |
| Package 1 Weight | 134.0 g |
| Unit Type of Package 2 | S02 |
| Number of Units in Package 2 | 20 |
| Package 2 Height | 15.0 cm |
| Package 2 Width | 30.0 cm |
| Package 2 Length | 40.0 cm |
| Package 2 Weight | 3.03 kg |
| Unit Type of Package 3 | P06 |
| Number of Units in Package 3 | 320 |
| Package 3 Height | 77.0 cm |
| Package 3 Width | 80.0 cm |
| Package 3 Length | 60.0 cm |
| Package 3 Weight | 56.98 kg |

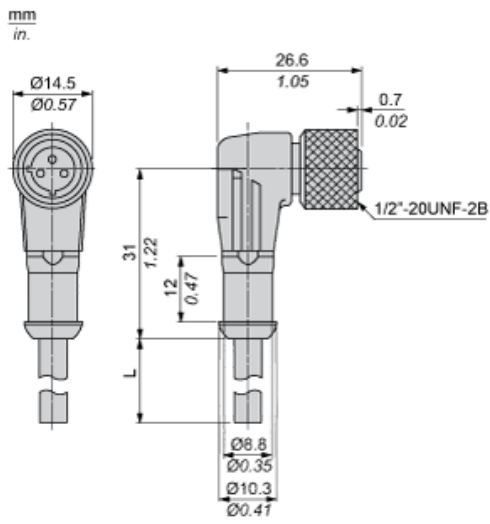
Offer Sustainability

| | |
|-----------------------------------|---|
| Sustainable offer status | Green Premium product |
| REACH Regulation | REACH Declaration |
| EU RoHS Directive | Pro-active compliance (Product out of EU RoHS legal scope) EU RoHS Declaration |
| Mercury free | Yes |
| RoHS exemption information | Yes |
| Environmental Disclosure | Product Environmental Profile |
| Circularity Profile | End of Life Information |
| California proposition 65 | WARNING: This product can expose you to chemicals including: Diisononyl phthalate (DINP), which is known to the State of California to cause cancer, and Di-isodecyl phthalate (DIDP), which is known to the State of California to cause birth defects or other reproductive harm. For more information go to www.P65Warnings.ca.gov |

Contractual warranty

| | |
|-----------------|-----------|
| Warranty | 18 months |
|-----------------|-----------|

Dimensions



L : Length of cable

Connections and Schemes

Connectors



GN : Green
RD/WH : Red / White
RD/BK : Red / Black

Recommended replacement(s)