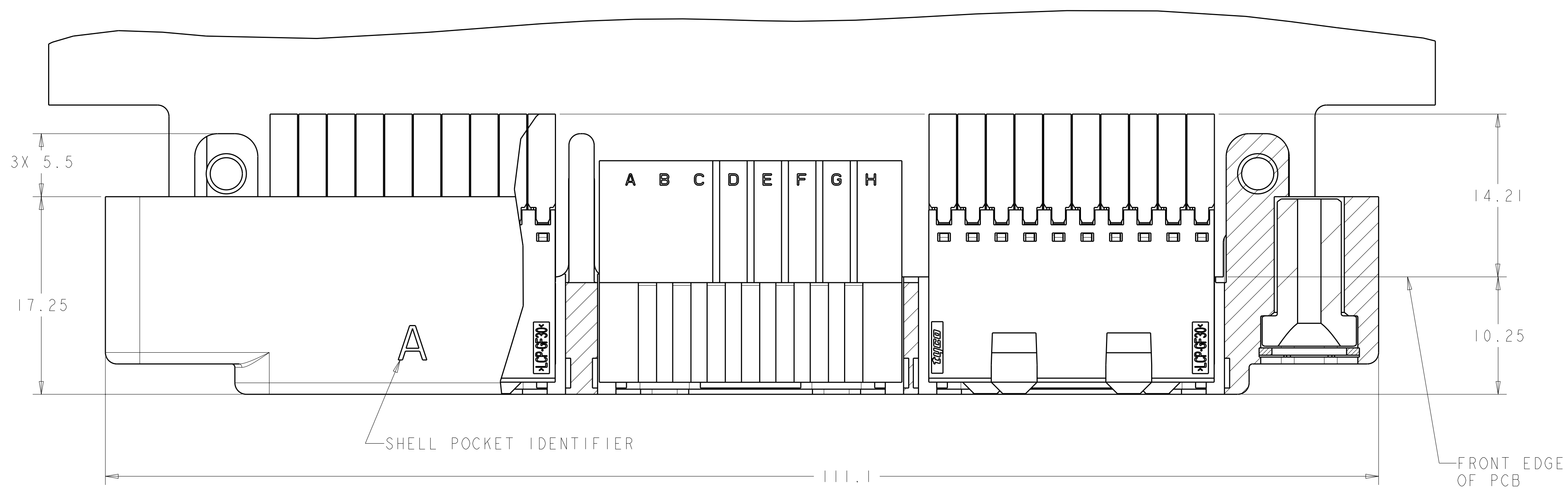
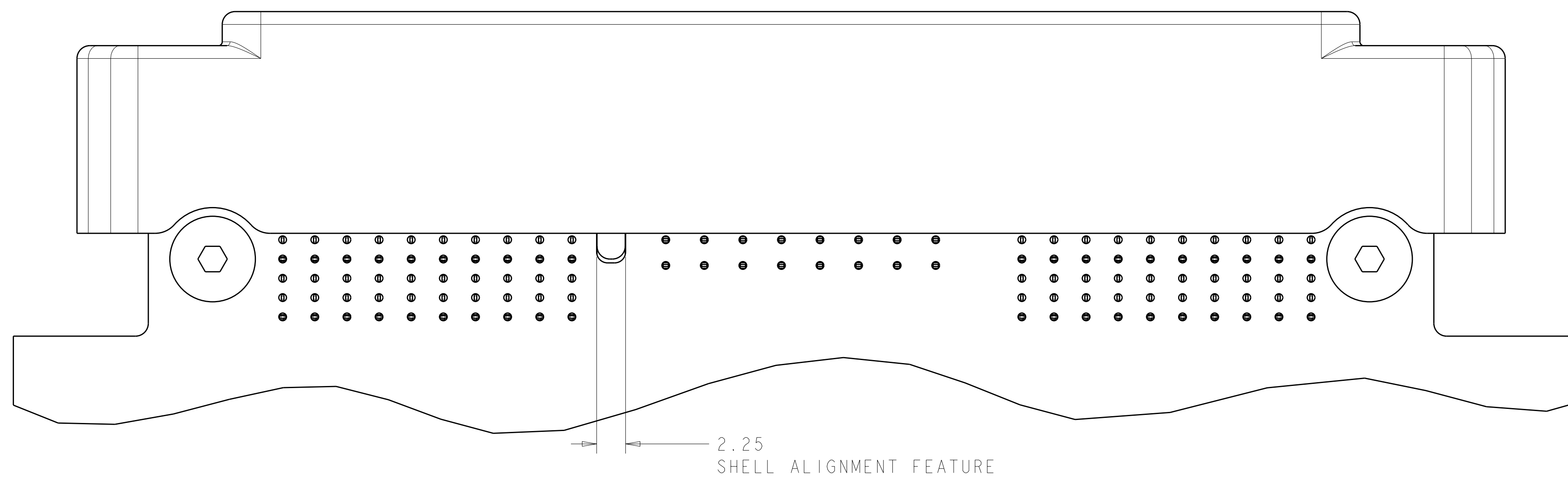
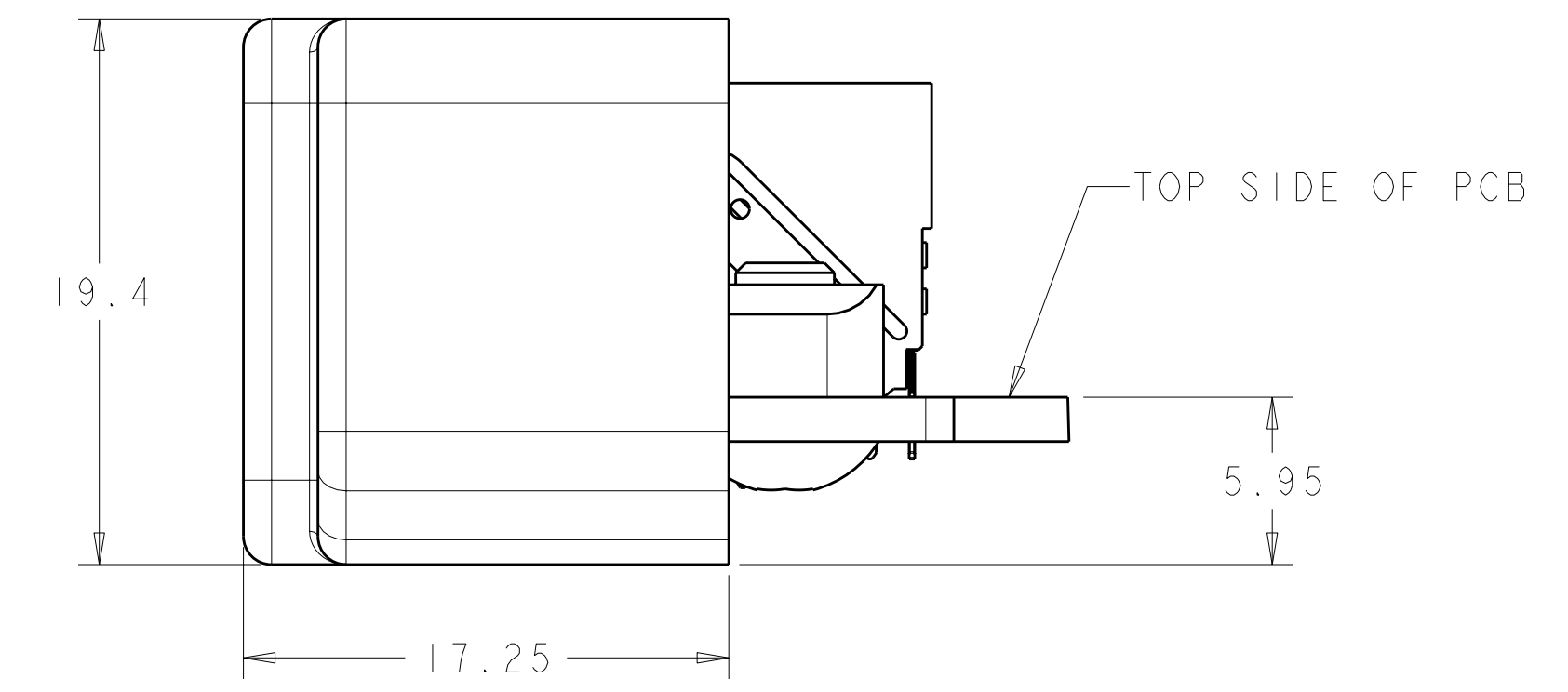
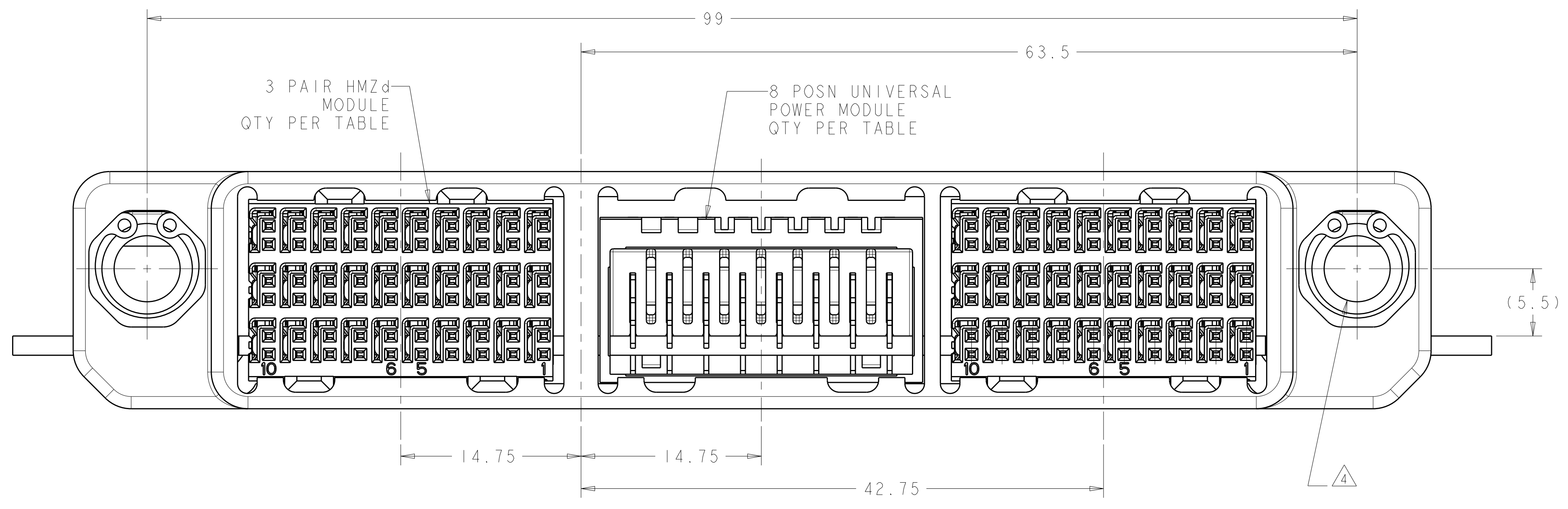


LOC		DIST		REVISIONS			
P	LTB	DESCRIPTION	DATE	DWN	APVD	CT	DH
E		REV PER ECO 11-020857	10-18-11	CT	DH		



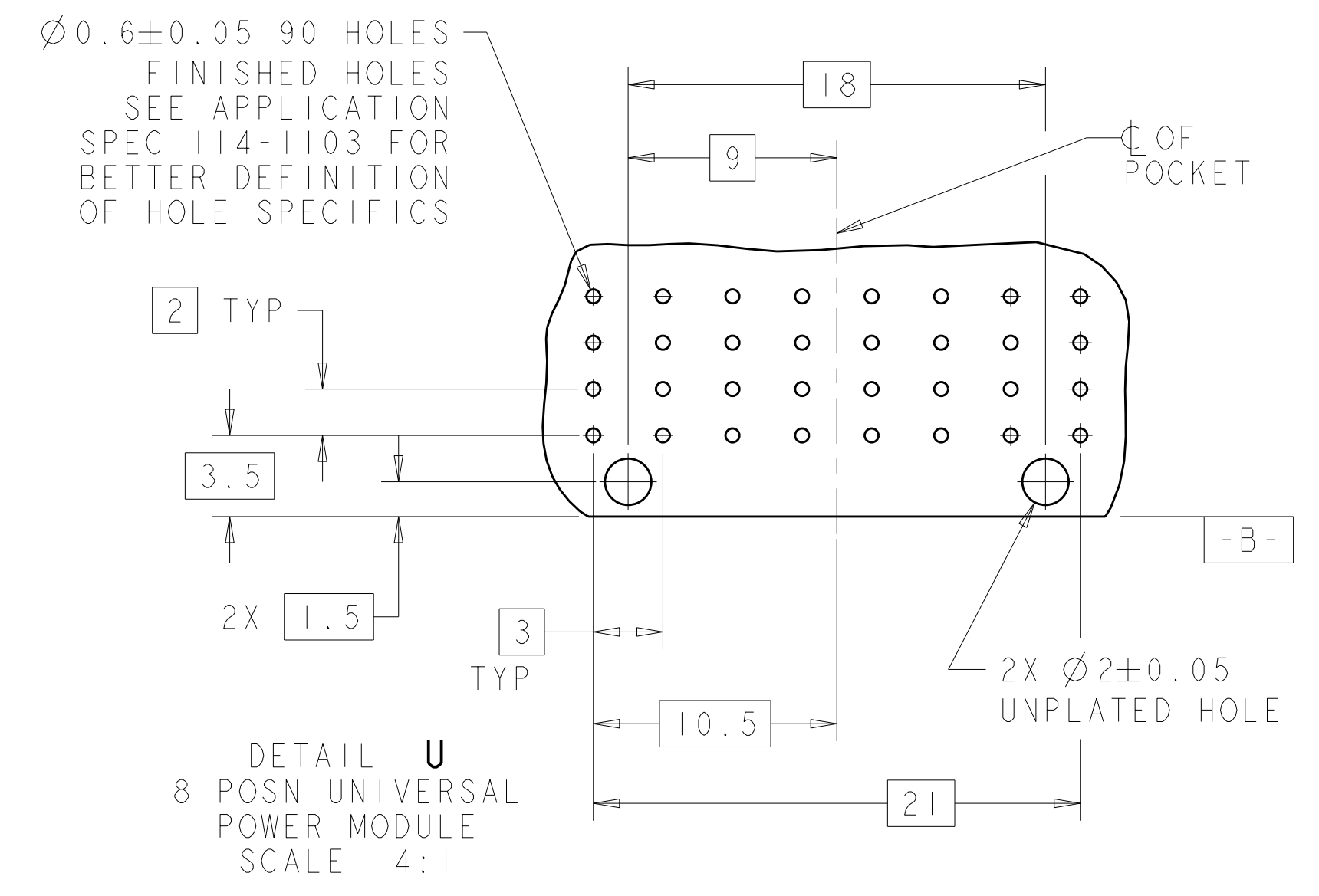
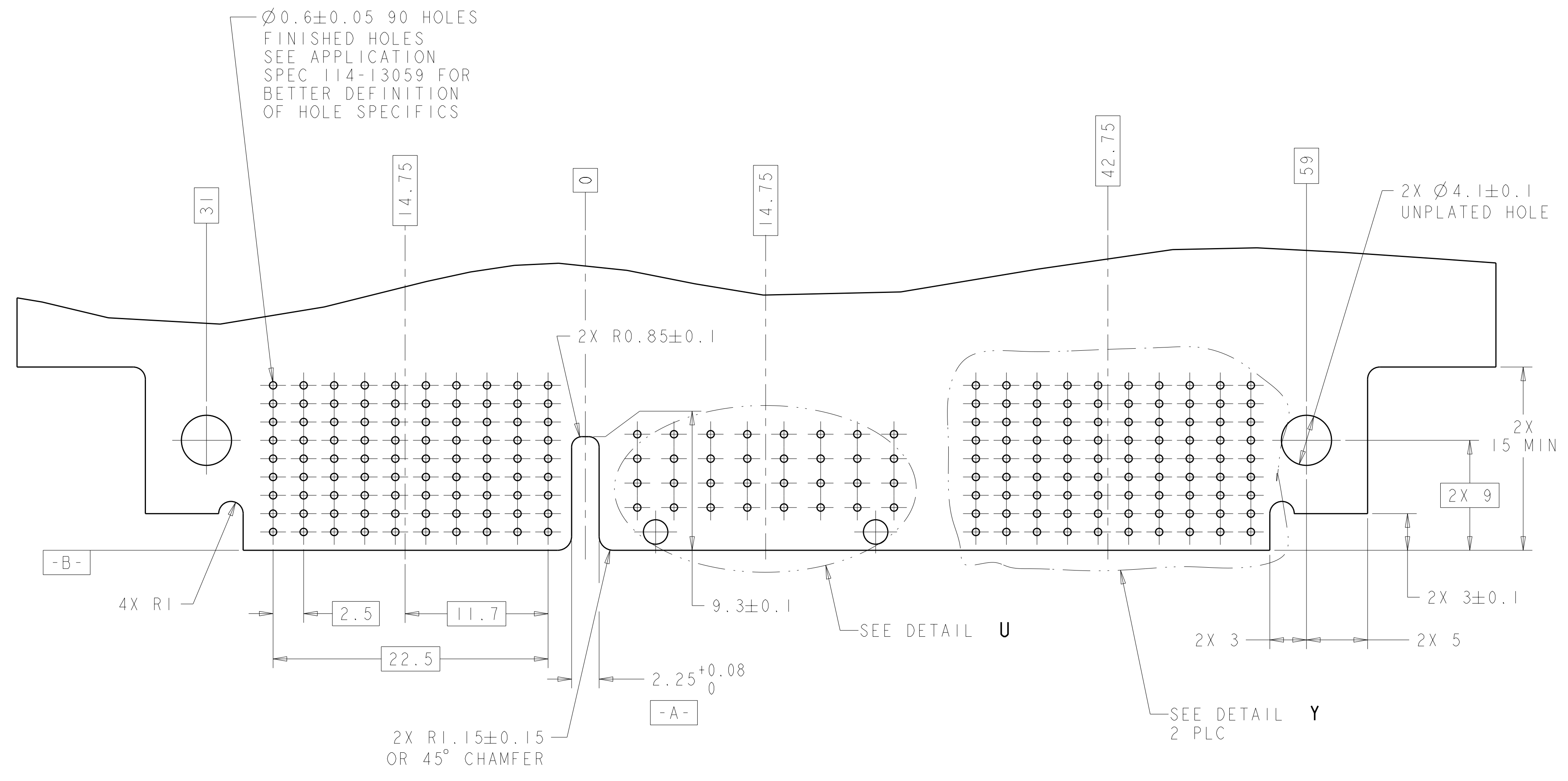
- MATING CONNECTOR FOR THIS CONNECTOR IS 2000980.
- MATERIAL - SHELL: ALUMINUM  
 HOUSING: GLASS FILLED POLYESTER, UL94V0  
 RETAINING RING: STAINLESS STEEL  
 KEYING GUIDE SOCKET: STAINLESS STEEL
- PLATING - CONTACT MATING AREA:  
 1.27µm MIN GOLD OVER 1.27µm MIN NICKEL  
 CONTACT PCB AREA: 0.5µm MIN BRIGHT  
 TIN-LEAD OVER 1.27µm MIN NICKEL
- SHELL: ELECTROLESS NICKEL
- KEYING GUIDE SOCKET AND RETAINING RING  
 PACKAGED FOR ASSEMBLY BY CUSTOMER.



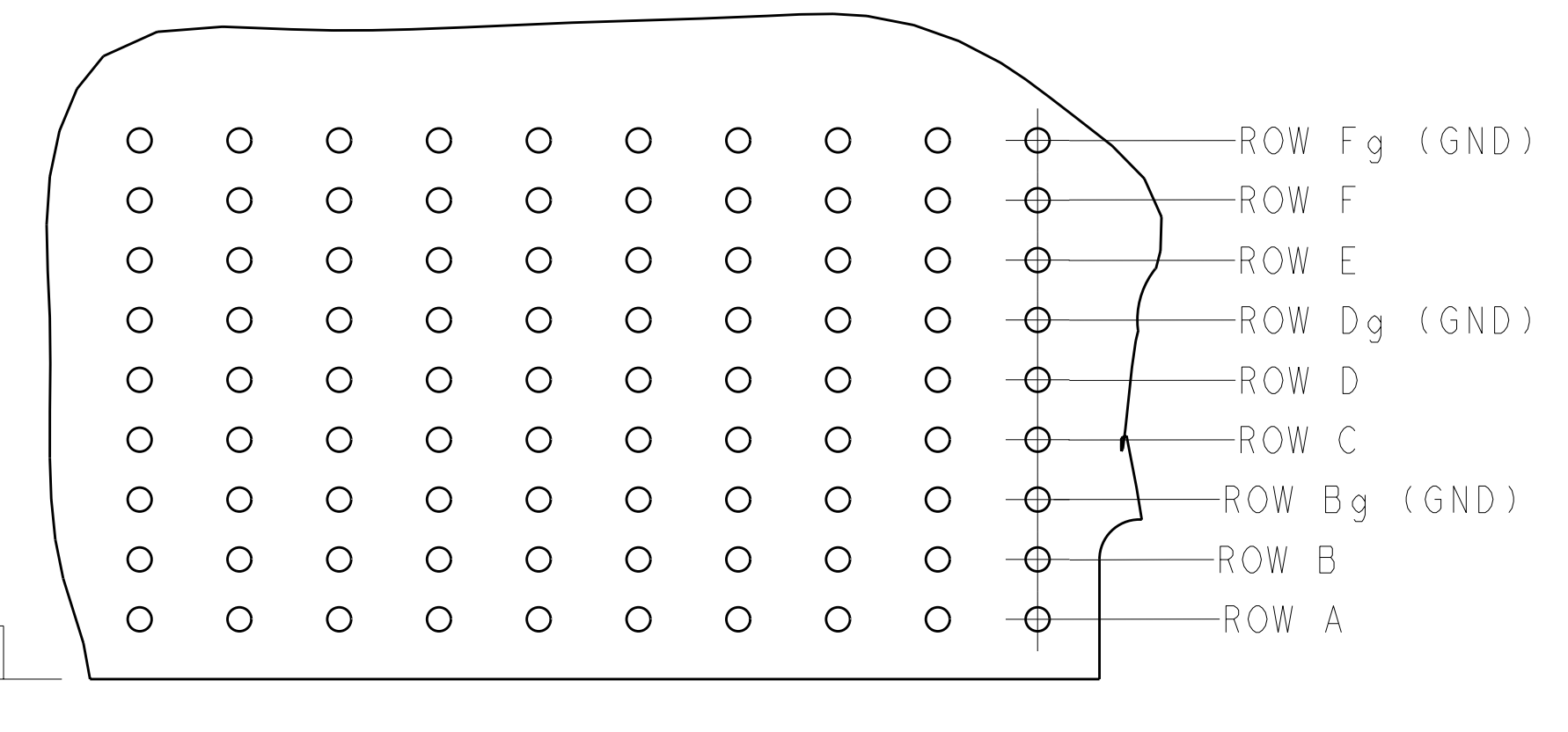
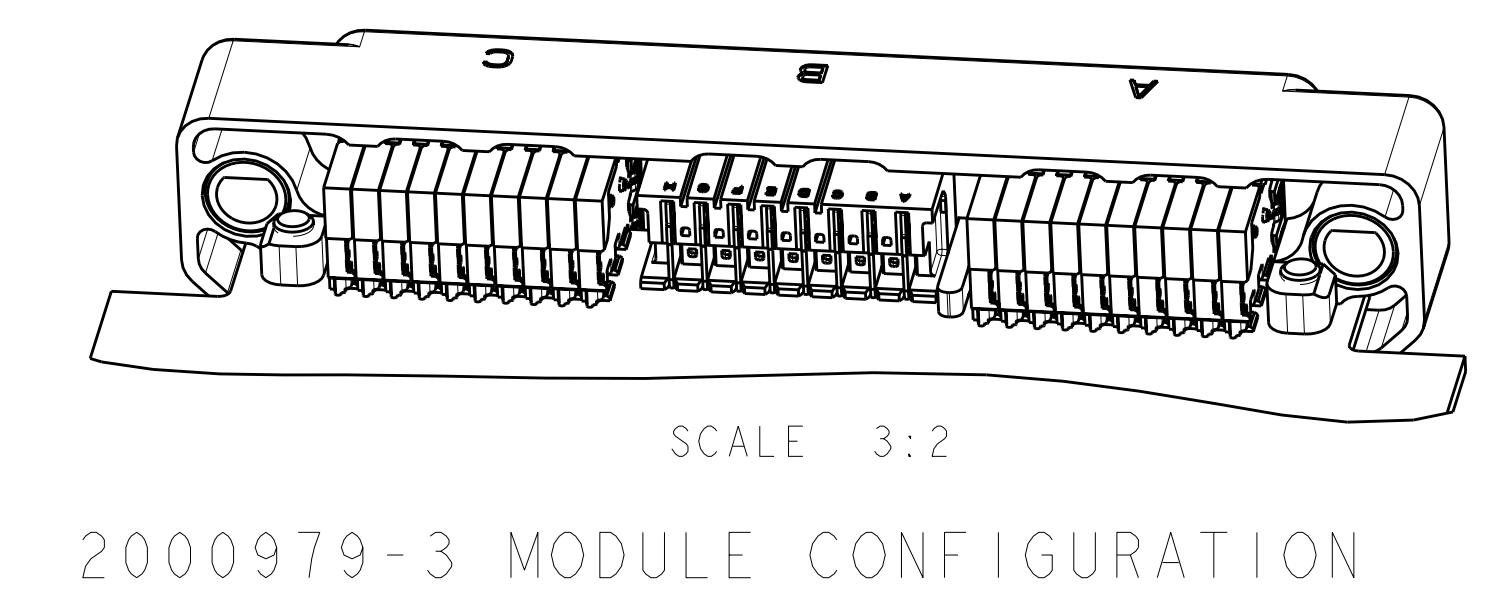
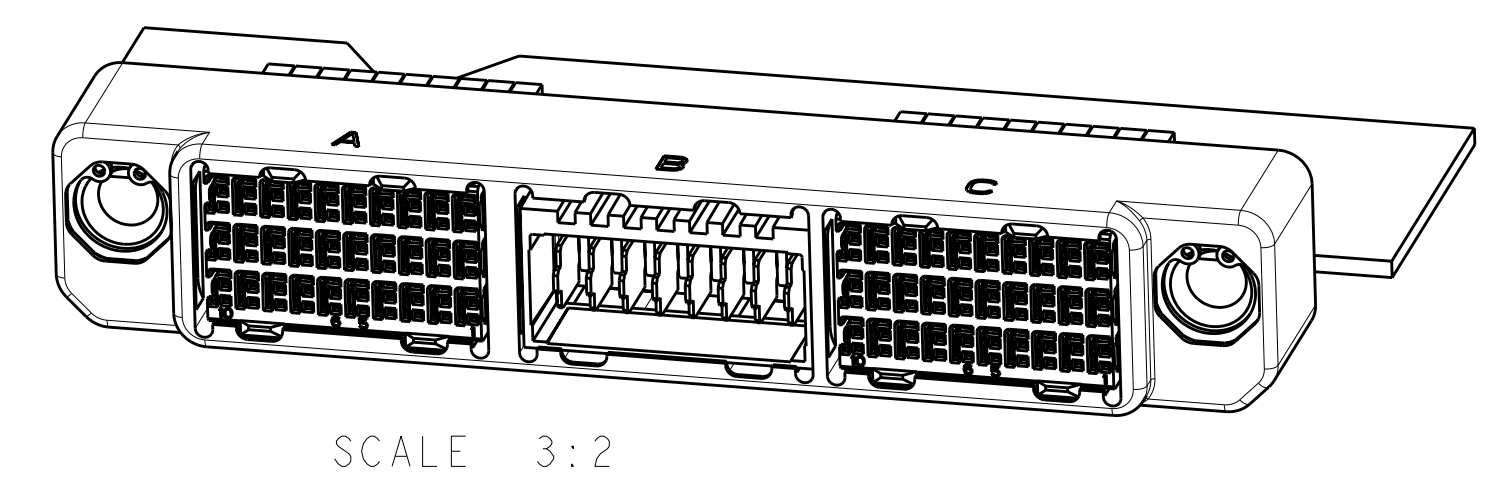
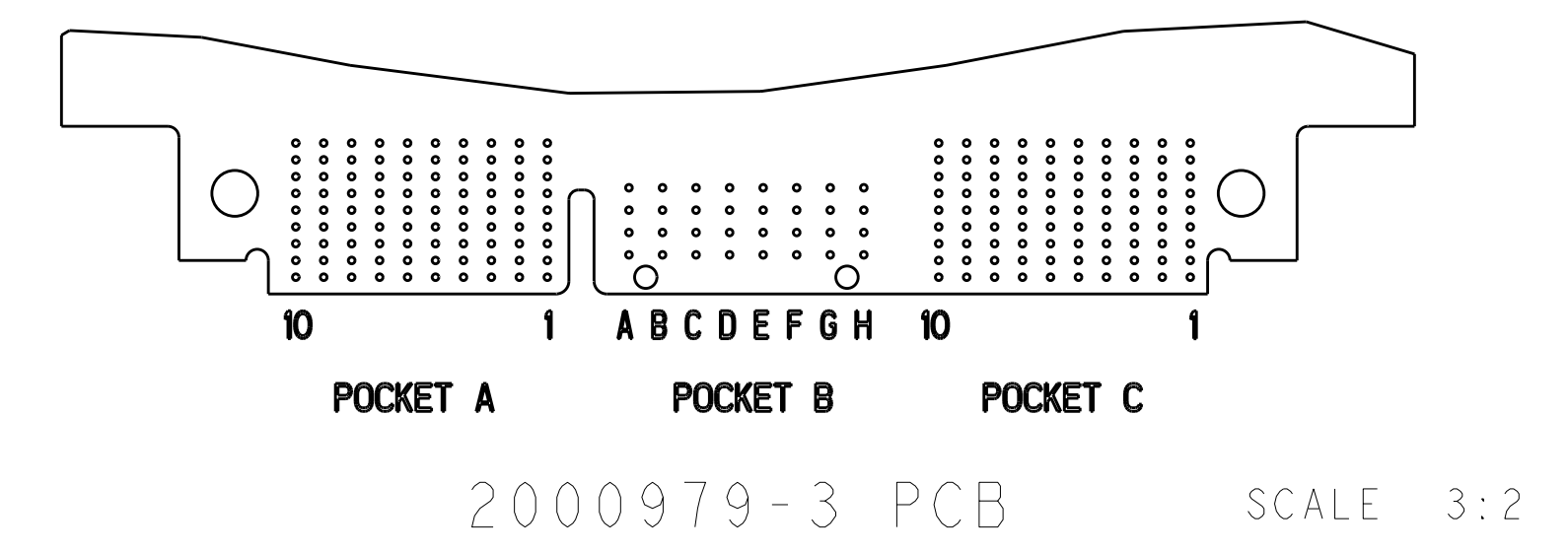
<b>NOT RELEASED</b>	1	-	2	2000979-3
	-	-	3	2000979-1
	8 POSN UPM	7 POSN RF COAX	3 PAIR HMZd	PART NUMBER
	MODULE QTY. PER ASSY			

THIS DRAWING IS A CONTROLLED DOCUMENT.		DWN: 13JAN2010 Brent D. Toth		NAME: <b>STE</b> TE Connectivity	
DIMENSIONS: mm		CHK: 13JAN2010 CHONG YI		PRODUCT SPEC: DAUGHTER CARD CONNECTOR HIGH SPEED RUGGEDIZED (HSR) 3 BAY, UNSEALED, RIGHT ANGLE	
TOLERANCES UNLESS OTHERWISE SPECIFIED:		APVD: 13JAN2010 M. R. McALONIS		APPLICATION SPEC: 108-2381	
MATERIAL:		FINISH:		SIZE: CAGE CODE DRAWING NO. RESTRICTED TO	
WEIGHT: -		SCALE: 4:1		SHEET 1 OF 3	
CUSTOMER DRAWING		A100779C=2000979		REV E	

LOC	DIST	REV	DATE	BY	APPD
-	-	1	-	-	-
DESCRIPTION			DATE	BY	APPD
SEE SHEET 1			-	-	-



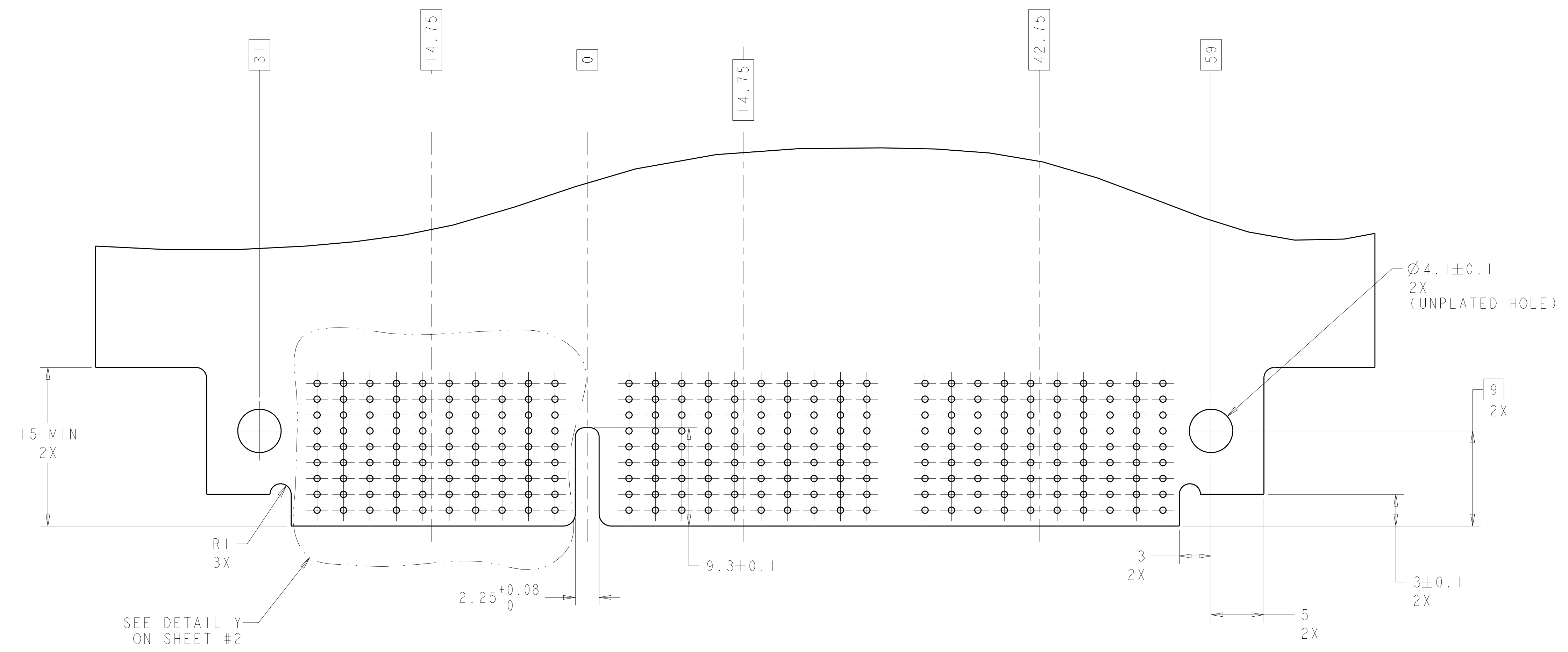
**RECOMMENDED PRINTED CIRCUIT BOARD HOLE LAYOUT**  
**AS VIEWED FROM TOP (CONNECTOR SIDE) OF PCB**  
**2000979-3**  
**SCALE 4:1**



DETAIL Y  
 SCALE 6:1

THIS DRAWING IS A CONTROLLED DOCUMENT.		DWN: Brent D. Toth CHK: CHONG YI APVD: M. R. McALONIS	13JAN2010 13JAN2010 13JAN2010	TE Connectivity
DIMENSIONS: mm	TOLERANCES UNLESS OTHERWISE SPECIFIED: 9 PLC ± 3 PLC ± 5 PLC ± 4 PLC ± ANGLES ± FINISH	NAME: DAUGHTER CARD CONNECTOR HIGH SPEED RUGGEDIZED (HSR) 3 BAY, UNSEALED, RIGHT ANGLE PRODUCT SPEC: 108-2381 APPLICATION SPEC:	SIZE: CAGE CODE DRAWING NO. RESTRICTED TO: A100779C=2000979 WEIGHT: CUSTOMER DRAWING	
SCALE 4:1 SHEET 2 OF 3 REV E				

LOC		DIST		REVISIONS			
P	LTB	DESCRIPTION	DATE	DWN	APVD		
-	-	SEE SHEET 1	-	-	-		



RECOMMENED PC BOARD LAYOUT (DAUGHTER CARD)  
 FOR 2000979-1 (SCALE 4:1)  
 AS VIEWED FROM TOP  
 (CONNECTOR SIDE) OF PCB  
 (3 HM-Zd)

THIS DRAWING IS A CONTROLLED DOCUMENT.		DWN: Brent D. Toth CHK: CHONG YI	13JAN2010 13JAN2010	TE Connectivity	
DIMENSIONS: mm 		TOLERANCES UNLESS OTHERWISE SPECIFIED: 9 PLC ± 8 PLC ± 5 PLC ± 4 PLC ± ANGLES ± FINISH ±		NAME: DAUGHTER CARD CONNECTOR HIGH SPEED RUGGEDIZED (HSR) 3 BAY, UNSEALED, RIGHT ANGLE PRODUCT SPEC: 108-2381 APPLICATION SPEC:	
MATERIAL: -		WEIGHT: -		SIZE: A100779 CAGE CODE: C=2000979 DRAWING NO:	
CUSTOMER DRAWING		SCALE: 1:1		SHEET 3 OF 3 REV E	