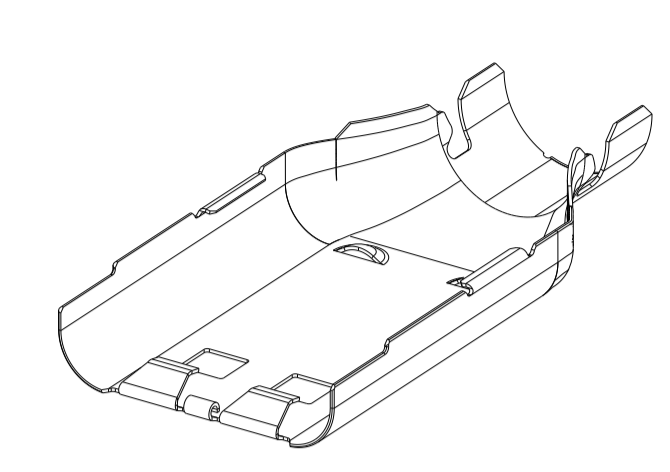
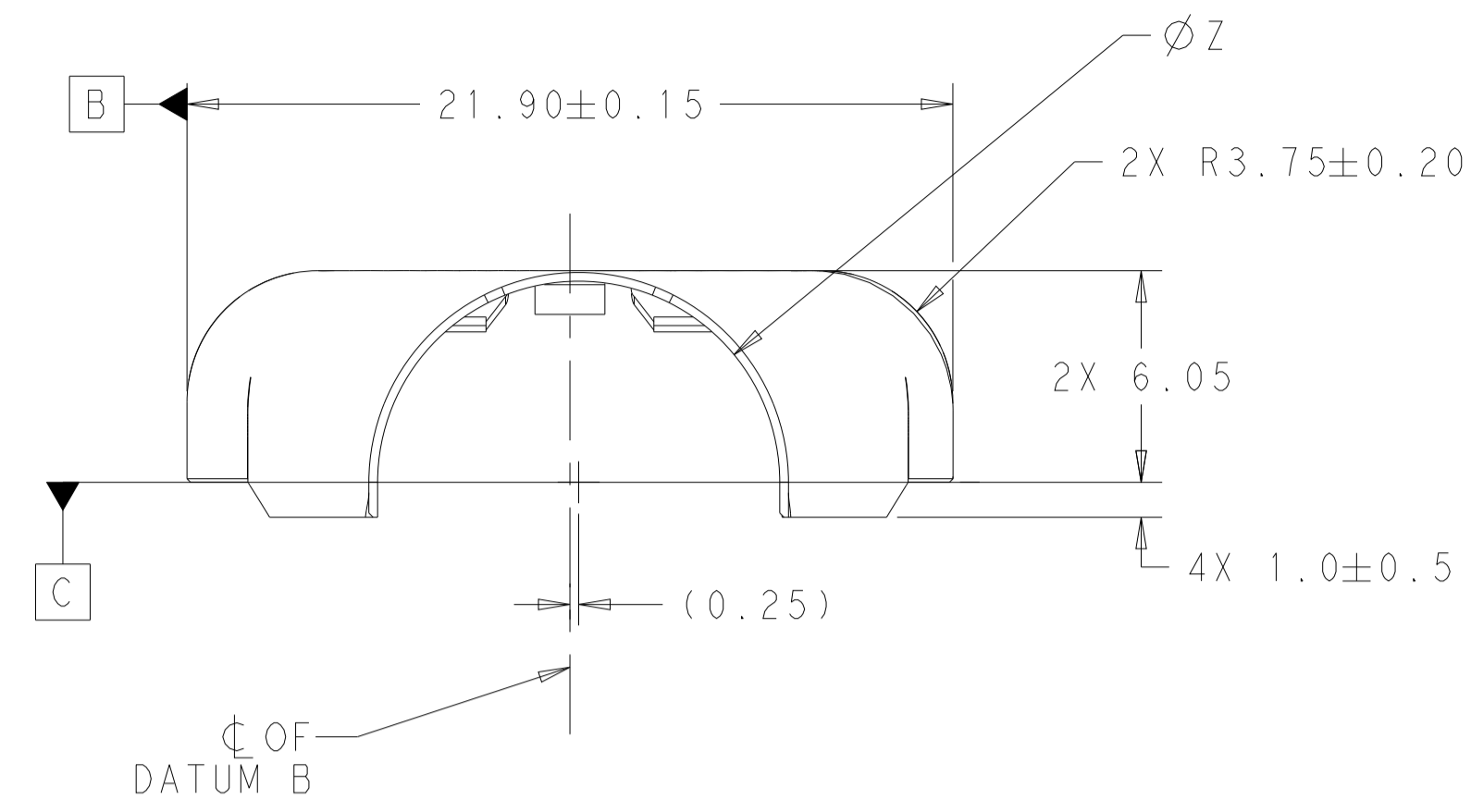
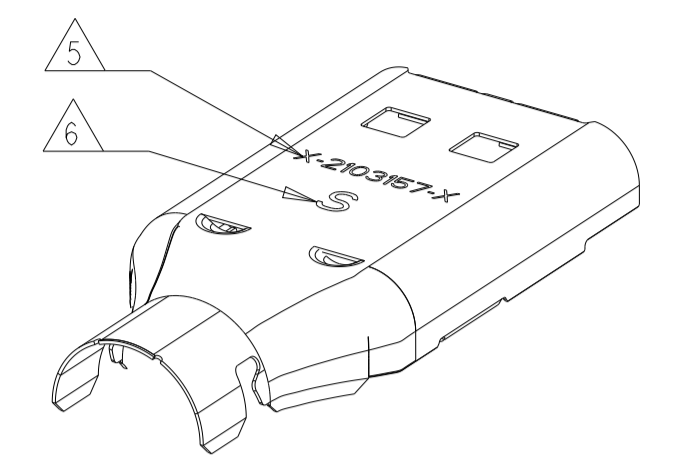


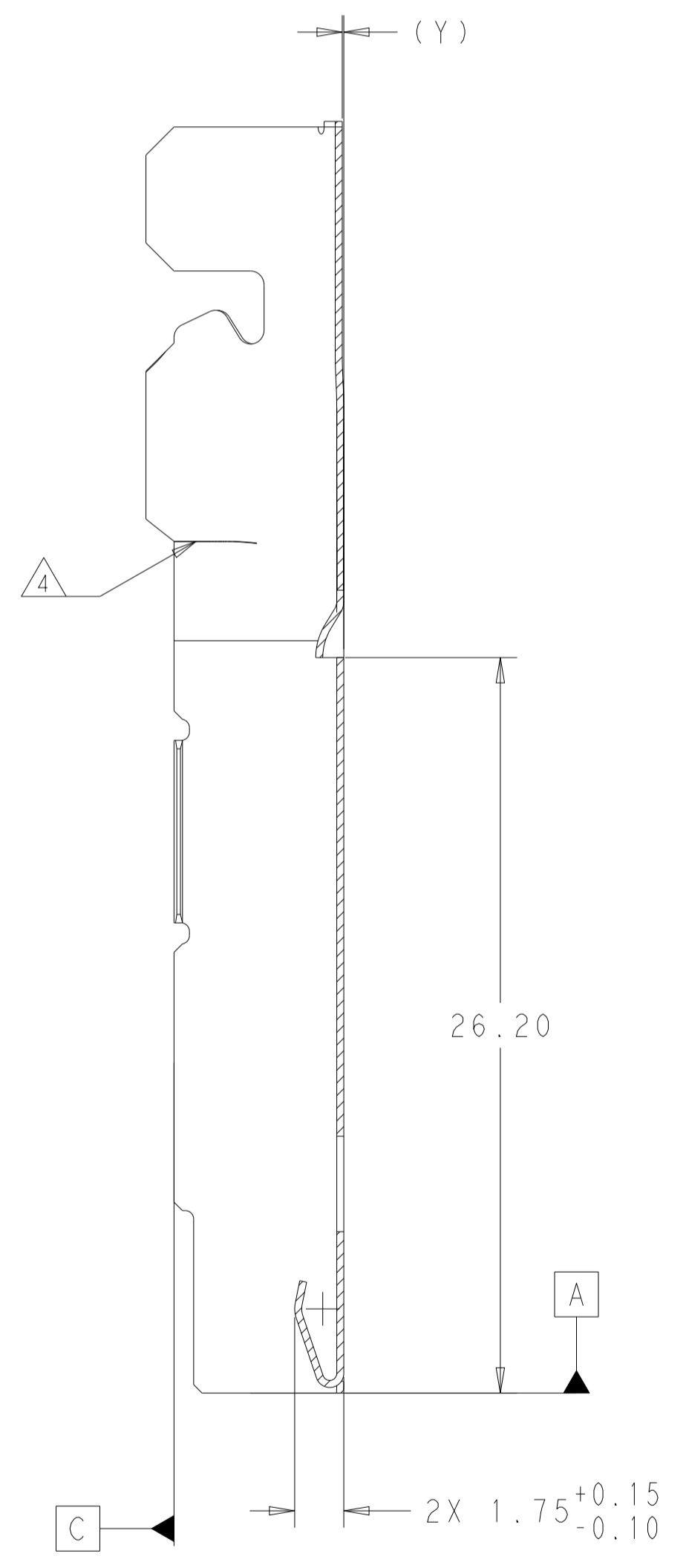
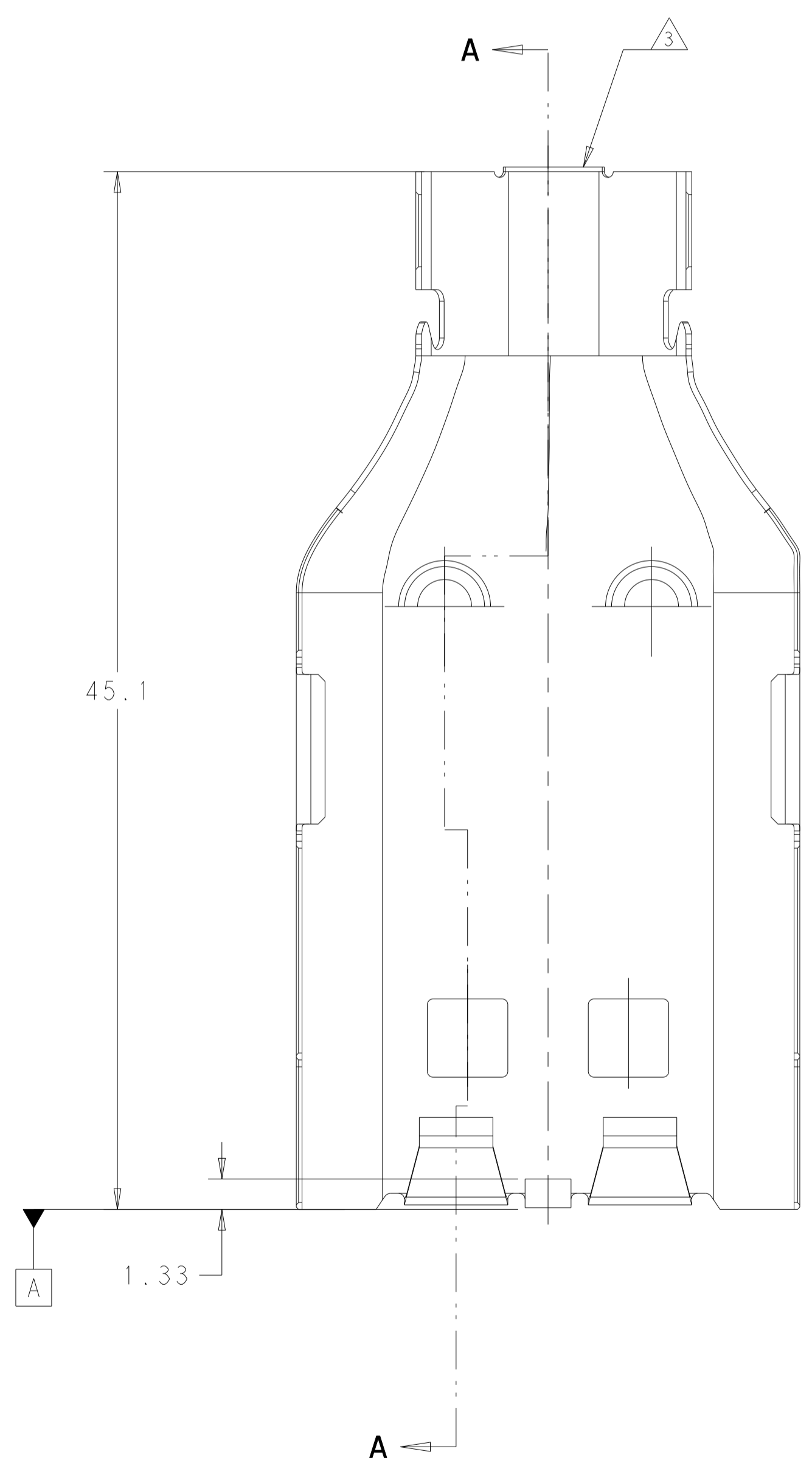
LOC		DIST		REVISIONS			
P	LTN	DESCRIPTION	DATE	DWN	APVD		
A1	ECO-12-013602		26JUL2012	DR	DR		
A2	ECO-12-017511		01OCT2012	DS	DR		
A3	ECO-13-012771		08AUG2013	DR	DR		
A4	ECR-22-148725		11AUG2022	SM	SS		



SCALE 2:1



SCALE 2:1



SECTION A-A

- 1 MATERIAL TYPE: COPPER ALLOY
- 2. PART MUST BE FREE OF EXCESSIVE BURRS, CRACKS, OR OTHER VISUAL IMPERFECTIONS THAT MAY AFFECT FIT OR FUNCTION
- 3 0.20 MAX CUT OFF TAB LENGTH
- 4 2X BUTTED SEAM IN THIS AREA
- 5 TE PART NUMBER STAMPED IN THIS AREA
- 6 "S" DESIGNATION STAMPED IN THIS AREA ON SILVER PLATED SHIELDS
- 7 PRELIMINARY PART - NOT RELEASED FOR PRODUCTION

6	0.55	10.50	2.85 g	SILVER	A	9-2103157-2
6	0.05	11.50	2.80 g	SILVER	A	9-2103157-1
6	0.55	10.50	2.83 g	SILVER & TIN	A	8-2103157-2
6	0.05	11.50	2.79 g	SILVER & TIN	A	8-2103157-1
6	0.55	10.50	2.79 g	SILVER	A	1-2103157-2
6	0.05	11.50	2.83 g	SILVER	A	1-2103157-1
—	0.55	10.50	2.80 g	TIN	1	2103157-2
—	0.05	11.50	2.85 g	TIN	A	2103157-1
MARKING	Y	Z	WEIGHT	FINISH	REV	PART NO

THIS DRAWING IS A CONTROLLED DOCUMENT.

DWN: D. RHEIN 06DEC2010  
 CHK: D. RHEIN 01APR2011

DIMENSIONS: mm  
 TOLERANCES UNLESS OTHERWISE SPECIFIED:  
 0 PLC ±0.2  
 1 PLC ±0.10  
 2 PLC ±0.05  
 3 PLC ±0.05  
 4 PLC ±0.05  
 ANGLES ±1°  
 FINISH SEE TABLE

APVD: J. BOLEWITZ 01APR2011  
 PRODUCT SPEC: 108-32020  
 APPLICATION SPEC

MATERIAL: SEE TABLE

WEIGHT: SEE TABLE

CUSTOMER DRAWING

APVD: J. BOLEWITZ 01APR2011  
 NAME: SHIELD, PLUG HVA280 MULTI-CORE

SIZE: A1  
 CAGE CODE: 100779  
 DRAWING NO: 2103157

RESTRICTED TO: A4

SCALE: 5:1 SHEET 1 OF 1 REV A4