

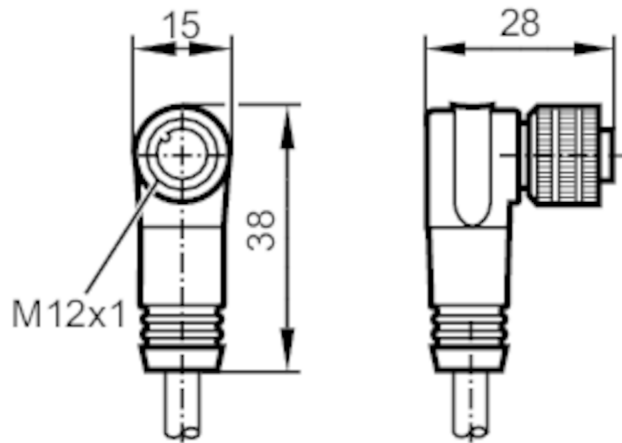
# E12169



## Connecting cable with socket

ADOAH080MSS0010B08

For 8-pole sockets the core colours are not standardised.  
Please note the wiring of the sensor and the sockets (see data sheet).



### Electrical data

Operating voltage	[V]	< 30 AC / < 36 DC
Max. current load total	[A]	2

### Operating conditions

Ambient temperature	[°C]	-40...80
Protection		IP 68

### Mechanical data

Weight	[g]	551.5
Dimensions	[mm]	28 x 15 x 38
Materials		TPU
Moulded-body material		TPU
Material nut		brass, nickel-plated

### Remarks

Pack quantity		1 pcs.
---------------	--	--------

### Electrical connection

Cable: 10 m, PUR, black; 8 x 0.25 mm<sup>2</sup> (32 x Ø 0.1 mm )

### Electrical connection - socket

Connector: 1 x M12, angled; coding: A; Moulded body: TPU; Locking: brass, nickel-plated; Tightening torque: 1...1.5 Nm

# E12169



## Connecting cable with socket

ADOAH080MSS0010B08



### Connection

1	WH
2	BN
3	GN
4	YE
5	GY
6	PK
7	BU
8	RD

colours to DIN  
47100

Core colours :

BN =	brown
BU =	blue
GN =	green
GY =	grey
PK =	pink
RD =	red
WH =	white
YE =	yellow