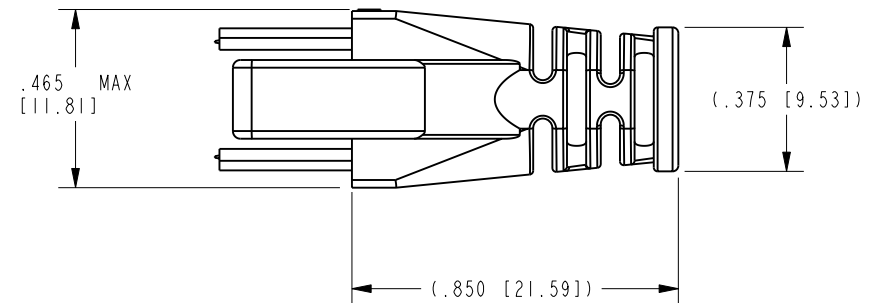
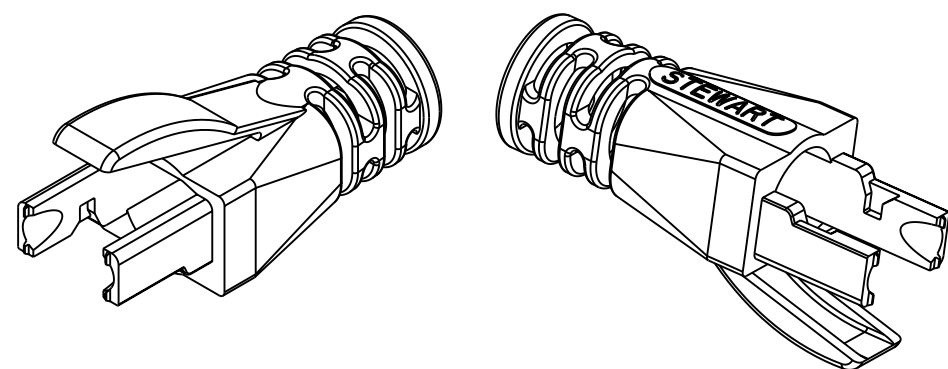
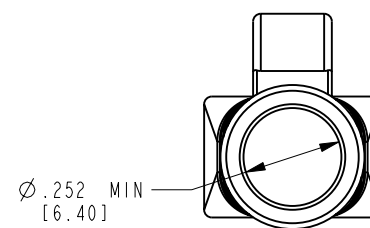
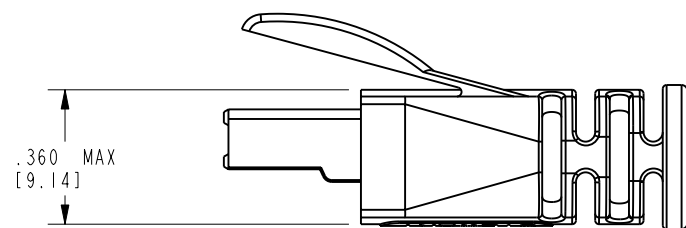


DATE	REV.	ECN	APP'D BY
4/30/2018	A0	-	DHG



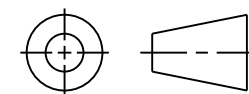
NOTES:

- 1. MATERIAL: POLYCARBONATE, UL 94-V0, CLEAR
- 2. CONSULT STEWART CONNECTOR FOR PLUG COMPATIBILITY
- 3. WORKS WITH CABLE .25 [6.35] MAX



BAG OF 50	SS-39500-003
BAG OF 100	SS-39500-004
PACKAGE	PART NUMBER

THIRD ANGLE PROJECTION



11118 Susquehanna Trail South  
 Glen Rock, PA 17327-9199  
 (717) 235-7512  
<http://www.stewartconnector.com>

DO NOT SCALE DRAWING  
 DRAWING IS SUBJECT TO  
 CHANGE WITHOUT NOTICE

TITLE: BOOT KIT, CLEAR POLYCARBONATE  
 .250 [6.35] MAX CABLE

DIMENSIONS: INCHES [METRIC]  
 UNLESS OTHERWISE SPECIFIED  
 TOLERANCES ARE ±.005 [0.13]  
 ANGLES ARE ±1°

THIS DRAWING AND THE SUBJECT MATTER SHOWN THEREON  
 ARE CONFIDENTIAL AND THE PROPRIETARY PROPERTY OF  
 STEWART CONNECTOR AND SHALL NOT BE REPRODUCED,  
 COPIED, OR USED IN ANY MANNER WITHOUT PRIOR WRITTEN  
 CONSENT OF STEWART CONNECTOR. ONE OR MORE U.S. PATENTS  
 MAY APPLY TO THIS PRODUCT. FOR DETAILS, PLEASE  
 VISIT: [HTTP://BELFUSE.COM/STEWART/STEWART\\_PATENTS/](http://BELFUSE.COM/STEWART/STEWART_PATENTS/)

DRN BY:	GWL	DATE	12/14/17
APPD BY:	DHG	DATE	12/14/17
DWG. NO.	CT390196	REV.	A0

SHEET NO.  
 1 OF 1

