

GlobTek, Inc.
 www.globtek.com
 186 Veterans Drive,
 Northvale, NJ 07647
 Tel. (201) 784-1000
 Fax (201) 784-0111

Drawing Title: GT-21097-5024, ITE Power Supply, Efficiency Level: N/A, Case Color/Style: GlobTek Black, Desktop/External, Regulated Switchmode AC-DC, Input Rating: 100-240V~, 50-60 Hz, IEC 60320/C14 , Output Rating: 50W, 24V@2.1A, Output Configuration: 1830 mm, 18/2 Cond, SPT-1, Female Barrel Right Angle, 5.5*2.1*11mm with internal Spring Clip and Locking Notch or Equal, Ferrite: None, GlobTek Black, GT Cord # C4543, Pin Out: Center Positive (+V), Blades/Input Cord: (Order Separately), Approvals: FCC cULus CE NEMKO CCC LPS Ukraine GOST-R Class I WEEE China RoHS VCCI PSE RoHS 2 CB IP40 Korea (5V Only) Korea (12V Only) Korea (3V Only) PSE PSE PSE PSE PSE PSE PSE PSE South Africa INDIA NOM RCM IRAM

Model No. GT-21097-5024

Part No. TR9CI2100CRP-Y(R)

Rev F

REVISION HISTORY

REV	DESCRIPTION	SUB	DATE	APPROVED
F	Update approvals: add IP40,FCC,IRAM, change 10 years to 30 years, remove cTUVus, change C-tick to RCM, change CQC-PSE to TUV-PSE	QA	06/08/2016	QA

In Addition to GlobTek Inc.'s renewed ISO9001:2008 - Quality Management System Certification, GlobTek Inc. is now certified to:

ISO13485:2003 - Medical Devices Quality Management System Certification

ISO14001:2004 - Environmental Management System Certification

ISO Certificates are available online at <http://www.globtek.com/iso-certificates/>

Customer Approval of Specification:

Please approve, sign and send back to GlobTek so we can complete order processing.

A delay in receipt of this form will delay delivery schedule.

Company Name:

Customer P/N:

Quote Number:

Date:

Authorized Representative Name:

Authorized Representative Signature:

The acceptance of this specification and use of the product described in this document indicates the acceptance and binding of the customer to Globtek terms and conditions, which supersede all other agreements, terms, and conditions (<http://en.globtek.com/terms-and-conditions/>).

Footnote:

GlobTek Inc. will not be liable for the safety and performance of these power supplies if unauthorized access and repair occurs. End user should consult applicable UL, CSA or EN standards for proper installation instruction.

Limitation of Use:

GlobTek product are not authorized for use as mission critical components in life support hazardous environment, nuclear or aircraft applications without prior written approval from the CEO of GlobTek Inc.

Contents of this document are subject to change without prior notice.

RELEASED

By N.Frost at 10:07 am, Jun 13, 2016

GT-21097-5024, 50W, 24V@2.1A, Desktop/External, Regulated Switchmode AC-DC

GlobTek, Inc.
www.globtek.com
186 Veterans Drive,
Northvale, NJ 07647
Tel. (201) 784-1000
Fax (201) 784-0111

Drawing Title: GT-21097-5024, ITE Power Supply, Efficiency Level: N/A, Case Color/Style: GlobTek Black, Desktop/External, Regulated Switchmode AC-DC, Input Rating: 100-240V~, 50-60 Hz, IEC 60320/C14 , Output Rating: 50W, 24V@2.1A, Output Configuration: 1830 mm, 18/2 Cond, SPT-1, Female Barrel Right Angle, 5.5*2.1*11mm with internal Spring Clip and Locking Notch or Equal, Ferrite: None, GlobTek Black, GT Cord # C4543, Pin Out: Center Positive (+V), Blades/Input Cord: (Order Separately), Approvals: FCC cULus CE NEMKO CCC LPS Ukraine GOST-R Class I WEEE China RoHS VCCI PSE RoHS 2 CB IP40 Korea (5V Only) Korea (12V Only) Korea (3V Only) PSE PSE PSE PSE PSE PSE PSE PSE South Africa INDIA NOM RCM IRAM

Model No. GT-21097-5024

Part No. TR9CI2100CRP-Y(R)

Rev F

POWER SUPPLY INFORMATION

TYPE: Desktop/External
TECHNOLOGY: Regulated Switchmode AC-DC
CASE COLOR: GlobTek Black
NAMEPLATE RATED INPUT: 100-240V~, 50-60 Hz, 1.6A Max.
INPUT CONFIG: IEC 60320/C14
WATTS: 50.0
VOLTS OUT: 24
CURRENT OUT (Amps): 2.1
BLADE/CORD INCLUDED: None: (Order Separately)
BLADE/CORD INSTALLED: None: (Order Separately)
EFFICIENCY LEVEL: N/A
OUTPUT CONFIGURATION: 1830 mm, 18/2 Cond, SPT-1, Female Barrel Right Angle, 5.5*2.1*11mm with internal Spring Clip and Locking Notch or Equal, Ferrite: None, GlobTek Black, GT Cord # C4543
CONNECTOR PIN OUT: Center Positive (+V)
LABEL SPECS: Standard GT,L-1186
PACK SPEC: Standard DT, Individually Box

NOTES / DEVIATIONS:

DIMENSIONS ARE IN MM UNLESS SPECIFIED OTHERWISE.

ELECTRICAL SPECIFICATIONS

A) ELECTRICAL SPECIFICATIONS:

01. Input Voltage: Specified 90-264 Vac, Nameplate rated: 100-240Vac
02. Input Frequency: Specified 47-63 Hz, Nameplate rated 50-60Hz
03. Output Regulation: +/-5% measured at the output connector
04. Line Voltage Regulation: +/- 1% typical measured at full load
05. Output Ripple (Vp-p): +/- 1% of output voltage, Vp-p, typical
06. Turn-ON/OFF: 5% maximum, 1 mS typical recovery time for 25% step load
07. Turn-ON Delay: 1 Sec, typical
08. Hold-Up Time: 10 mS typical @ nominal input voltage and full load
09. Inrush Current: 20A maximum cold start @ 240Vac input
10. Switching Frequency: 100 KHz typical, varies with line and load

B) PROTECTION

01. Over-Voltage: limited via crowbar method
02. Short Circuit: Hiccup with auto recovery upon removal of short
03. Over-load: Hiccup with auto recovery
04. Input Protection: Input line

C) SAFETY

01. Dielectric Withstand Voltage: 4242 Vdc from primary to secondary (for Class II with functional ground)
02. Touch Current: <0.25mA @ 240Vac input voltage
03. Earth Leakage Current: <3.5 mA at 240Vac input voltage
04. Earth continuity test:<0.1 Ohm or < 0.2 Ohm when with a non-detachable Power Supply cord, Class I Only
05. ROHS 2: Complies with EU 2011/65/EU and China SJ/T 11363-2006

D) OTHER:

01. MTBF: 200,000 Hours @ 25°C ambient temperature
02. Operating Temperature: 0°C to 40°C ambient temperature
03. Humidity: 0% to 90% relative humidity
04. Storage Temperature: -10°C to 80°C

PROPRIETARY INFORMATION

PROPRIETARY OF GLOBTEK, INC. ANY REPRODUCTION, DISCLOSURE OR USE OF THIS DRAWING, IN WHOLE OR IN PART, IS HEREBY PROHIBITED EXCEPT AS SPECIFIED IN WRITING BY GLOBTEK, INC.

GlobTek, Inc.
 www.globtek.com
 186 Veterans Drive,
 Northvale, NJ 07647
 Tel. (201) 784-1000
 Fax (201) 784-0111

Drawing Title: GT-21097-5024, ITE Power Supply, Efficiency Level: N/A, Case Color/Style: GlobTek Black, Desktop/External, Regulated Switchmode AC-DC, Input Rating: 100-240V~, 50-60 Hz, IEC 60320/C14 , Output Rating: 50W, 24V@2.1A, Output Configuration: 1830 mm, 18/2 Cond, SPT-1, Female Barrel Right Angle, 5.5*2.1*11mm with internal Spring Clip and Locking Notch or Equal, Ferrite: None, GlobTek Black, GT Cord # C4543, Pin Out: Center Positive (+V), Blades/Input Cord: (Order Separately), Approvals: FCC cULus CE NEMKO CCC LPS Ukraine GOST-R Class I WEEE China RoHS VCCI PSE RoHS 2 CB IP40 Korea (5V Only) Korea (12V Only) Korea (3V Only) PSE PSE PSE PSE PSE PSE PSE PSE South Africa INDIA NOM RCM IRAM

Model No. GT-21097-5024

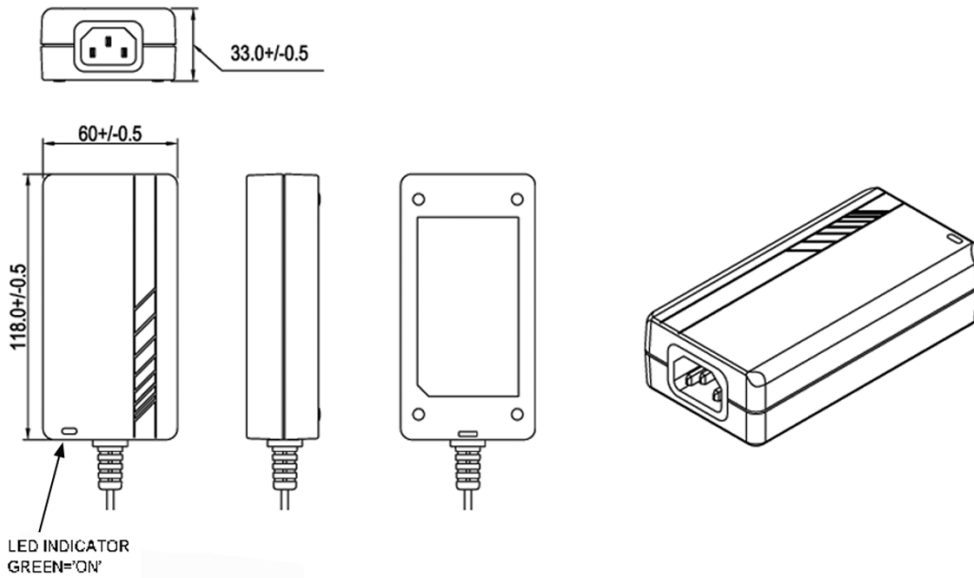
Part No. TR9CI2100CRP-Y(R)

Rev F

05. Cooling: Convection

E) ENCLOSURE

- 01. Housing: High impact plastic, 94V0 polycarbonate, non-vented
- 02. Size: 118 x 60 x 33 ± 0.5 mm
- 03. Markings: Label and/or Pad Printed and/or Molded in the case
- 04. Green LED for indicating Power Out



GlobTek, Inc.
 www.globtek.com
 186 Veterans Drive,
 Northvale, NJ 07647
 Tel. (201) 784-1000
 Fax (201) 784-0111

Drawing Title: GT-21097-5024, ITE Power Supply, Efficiency Level: N/A, Case Color/Style: GlobTek Black, Desktop/External, Regulated Switchmode AC-DC, Input Rating: 100-240V~, 50-60 Hz, IEC 60320/C14 , Output Rating: 50W, 24V@2.1A, Output Configuration: 1830 mm, 18/2 Cond, SPT-1, Female Barrel Right Angle, 5.5*2.1*11mm with internal Spring Clip and Locking Notch or Equal, Ferrite: None, GlobTek Black, GT Cord # C4543, Pin Out: Center Positive (+V), Blades/Input Cord: (Order Separately), Approvals: FCC cULus CE NEMKO CCC LPS Ukraine GOST-R Class I WEEE China RoHS VCCI PSE RoHS 2 CB IP40 Korea (5V Only) Korea (12V Only) Korea (3V Only) PSE PSE PSE PSE PSE PSE PSE PSE South Africa INDIA NOM RCM IRAM

Model No. GT-21097-5024

Part No. TR9CI2100CRP-Y(R)

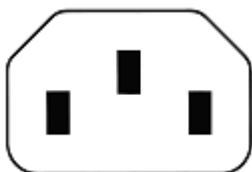
Rev F

INPUT CONFIGURATION

Blades/Cord Included: None: (Order Separately)

Blades/Cord Installed: None: (Order Separately)

IEC 60320/C14 AC Inlet Connector, Class I, Earth Ground



Mates with IEC 60320/C13 Plug

[Standard International IEC 320/C13 Cordsets](#)

Below are standard cordsets which are "not included" (unless stated above); these can be purchased separately or packaged with the power supply. Contact your Sales Engineer if the style required is not shown below. Many more available in different lengths, colors or cable material.

Stock Power Supply Cords

Part Number/ Link	Country	Plug	Termination	Length (mm)	(Ft)
3 Conductors (Grounded) IEC 320/C13					
3021457F701(R)	N. American	NEMA 5-15P	IEC 320/C13	2150	7
1191068F0701(R)	N. American	NEMA 5-15P Hospital	IEC 320/C13	2459	8
2194272M5701-T(R)	Argentina	IRAM 2073	IEC 320/C13	2500	8
5502022M5701A(R)	Australian	AS3112 / 3 PRONG	IEC 320/C13	2500	8
204B4272M5701(R)	Brazil	BRAZILIAN; WS-002	IEC 320/C13	2500	8
6023602M5701(R)	China	CCC GR2099	IEC 320/C13	2500	8
G8014272M5701(R)	Danish	AFSNIT SECTION 107-2-D1	IEC 320/C13	2500	8

PROPRIETARY INFORMATION

PROPRIETARY OF GLOBTEK, INC. ANY REPRODUCTION, DISCLOSURE OR USE OF THIS DRAWING, IN WHOLE OR IN PART, IS HEREBY PROHIBITED EXCEPT AS SPECIFIED IN WRITING BY GLOBTEK, INC.

GlobTek, Inc.
 www.globtek.com
 186 Veterans Drive,
 Northvale, NJ 07647
 Tel. (201) 784-1000
 Fax (201) 784-0111

Drawing Title: GT-21097-5024, ITE Power Supply, Efficiency Level: N/A, Case Color/Style: GlobTek Black, Desktop/External, Regulated Switchmode AC-DC, Input Rating: 100-240V~, 50-60 Hz, IEC 60320/C14 , Output Rating: 50W, 24V@2.1A, Output Configuration: 1830 mm, 18/2 Cond, SPT-1, Female Barrel Right Angle, 5.5*2.1*11mm with internal Spring Clip and Locking Notch or Equal, Ferrite: None, GlobTek Black, GT Cord # C4543, Pin Out: Center Positive (+V), Blades/Input Cord: (Order Separately), Approvals: FCC cULus CE NEMKO CCC LPS Ukraine GOST-R Class I WEEE China RoHS VCCI PSE RoHS 2 CB IP40 Korea (5V Only) Korea (12V Only) Korea (3V Only) PSE PSE PSE PSE PSE PSE PSE PSE South Africa INDIA NOM RCM IRAM

Model No. GT-21097-5024

Part No. TR9CI2100CRP-Y(R)

Rev F

23144272M5701-T(R)	Europe	CEE 7/7	IEC 320/C13	2500	8
377C4272M5701(R)	Israel	ISL 377C	IEC 320/C13	2500	8
23024272M5701(R)	Italy	CEI 23-16/VII	IEC 320/C13	2500	8
3003068F2701-HK(R)	Japan	JIS 8303 / 3 PINS	IEC 320/C13	2500	8
2313K3432M5701(R)	Korea	KS C 8305	IEC 320/C13	2500	8
5804272M5701(R)	Russia	GOST 7396	IEC 320/C13	2500	8
2084272M5701(R)	S. Africa	S. African	IEC 320/C13	2500	8
23214272M5701(R)	Switzerland	SEV 1011 (EL 203)	IEC 320/C13	2500	8
3003322M5701(R)	Taiwan	BSMI	IEC 320/C13	2500	8
PZ0800100-2M5BK13H(R)	UK	BS 1363A	IEC 320/C13	2500	8
7055002M5701A(R)	International	IEC 320 C14-C13	IEC 320/C13	2500	8
3 Conductors (Grounded) IEC 320/C5 (Mickey Mouse)					
3021066F712(R)	N. American	NEMA 5-15P	IEC 320/C5	1880	6
1191068F0712(R)	N. American	NEMA 5-15P Hospital	IEC 320/C5	2459	8
2064262M0712(R)	Australian	AS3112 / 3 PRONG	IEC 320/C5	2050	7
204B4262M0712(R)	Brazil	BRAZILIAN; WS-002	IEC 320/C5	2050	7
6023592M5712(R)	China	CCC GR2099	IEC 320/C5	2500	8
23144262M0712(R)	Europe	CEE 7/7	IEC 320/C5	2050	7

GlobTek, Inc.
www.globtek.com
186 Veterans Drive,
Northvale, NJ 07647
Tel. (201) 784-1000
Fax (201) 784-0111

Drawing Title: GT-21097-5024, ITE Power Supply, Efficiency Level: N/A, Case Color/Style: GlobTek Black, Desktop/External, Regulated Switchmode AC-DC, Input Rating: 100-240V~, 50-60 Hz, IEC 60320/C14 , Output Rating: 50W, 24V@2.1A, Output Configuration: 1830 mm, 18/2 Cond, SPT-1, Female Barrel Right Angle, 5.5*2.1*11mm with internal Spring Clip and Locking Notch or Equal, Ferrite: None, GlobTek Black, GT Cord # C4543, Pin Out: Center Positive (+V), Blades/Input Cord: (Order Separately), Approvals: FCC cULus CE NEMKO CCC LPS Ukraine GOST-R Class I WEEE China RoHS VCCI PSE RoHS 2 CB IP40 Korea (5V Only) Korea (12V Only) Korea (3V Only) PSE PSE PSE PSE PSE PSE PSE PSE South Africa INDIA NOM RCM IRAM

Model No. GT-21097-5024

Part No. TR9CI2100CRP-Y(R)

Rev F

2084262M0712(R)	India/S.Africa	India/S.Africa	IEC 320/C5	2050	7
23024262M0712(R)	Italy	CEI 23-16/VII	IEC 320/C5	2050	7
3003316F0712(R)	Japan	JIS 8303 / 3 PINS	IEC 320/C5	1830	6
23214262M0712(R)	Switzerland	SEV 1011 (EL 203)	IEC 320/C5	2050	7
6104262M0712(R)	UK	BS1363	IEC 320/C5	2050	7
2 Conductors (No Ground) IEC 320/C7 (Figure "8")					
4511116F703A(R)	N. American	NEMA 1-15P	IEC 320/C7	1830	6
5014112M703A(R)	Australian	AS 3112	IEC 320/C7	2000	7
4533501M8703(R)	China	GB 2099.1	IEC 320/C7	1830	6
2074112M703A(R)	European	CEE 7/16	IEC 320/C7	2000	7
451J3401M8703(R)	Japan	JIS 8303	IEC 320/C7	1830	6
6104112M703A(R)	UK	BS1363	IEC 320/C7	2000	7

GlobTek, Inc.
 www.globtek.com
 186 Veterans Drive,
 Northvale, NJ 07647
 Tel. (201) 784-1000
 Fax (201) 784-0111

Drawing Title: GT-21097-5024, ITE Power Supply, Efficiency Level: N/A, Case Color/Style: GlobTek Black, Desktop/External, Regulated Switchmode AC-DC, Input Rating: 100-240V~, 50-60 Hz, IEC 60320/C14 , Output Rating: 50W, 24V@2.1A, Output Configuration: 1830 mm, 18/2 Cond, SPT-1, Female Barrel Right Angle, 5.5*2.1*11mm with internal Spring Clip and Locking Notch or Equal, Ferrite: None, GlobTek Black, GT Cord # C4543, Pin Out: Center Positive (+V), Blades/Input Cord: (Order Separately), Approvals: FCC cULus CE NEMKO CCC LPS Ukraine GOST-R Class I WEEE China RoHS VCCI PSE RoHS 2 CB IP40 Korea (5V Only) Korea (12V Only) Korea (3V Only) PSE PSE PSE PSE PSE PSE PSE PSE South Africa INDIA NOM RCM IRAM

Model No. GT-21097-5024

Part No. TR9CI2100CRP-Y(R)

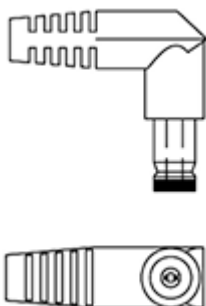
Rev F

OUTPUT CORD AND CONNECTOR: CRCL/C4543

ACTUAL CONNECTORS, OVERMOLDS, FERRITES MAY VARY SLIGHTLY FROM THE PICTURE BELOW

CABLE TYPE	SPT-1
CABLE LENGTH (mm)	1830
CABLE TOLERANCE (mm)	+150-0
WIRE GAUGE (AWG)	18
CONDUCTORS	2
HANK DIMENSION (mm)	80+10 -10
CABLE / CONNECTOR OVERMOLD COLOR	GlobTek Black
FERRITE TYPE / DIMENSION	None
FERRITE # OF TURNS (Definition)	N/A
FERRITE DIMENSION FROM STRAIN RELIEF	N/A
FERRITE DIMENSION FROM PLUG	N/A
PLUG TYPE	Female Barrel Right Angle, 5.5*2.1*11mm with internal Spring Clip and Locking Notch or Equal
OVER MOLD ORIENTATION	Right Angle
CONNECTOR PIN OUT:	Center Positive (+V)

ADDITIONAL REQUIREMENTS



ADDITIONAL OUTPUT PLUG OPTIONS ARE AVAILABLE AT <http://www.globtek.com/connectors.php>
 STANDARD PLUGS AND CONNECTORS CAN BE SEEN ONLINE AT <http://www.globtek.com/connectors.php>

GlobTek, Inc.
 www.globtek.com
 186 Veterans Drive,
 Northvale, NJ 07647
 Tel. (201) 784-1000
 Fax (201) 784-0111

Drawing Title: GT-21097-5024, ITE Power Supply, Efficiency Level: N/A, Case Color/Style: GlobTek Black, Desktop/External, Regulated Switchmode AC-DC, Input Rating: 100-240V~, 50-60 Hz, IEC 60320/C14 , Output Rating: 50W, 24V@2.1A, Output Configuration: 1830 mm, 18/2 Cond, SPT-1, Female Barrel Right Angle, 5.5*2.1*11mm with internal Spring Clip and Locking Notch or Equal, Ferrite: None, GlobTek Black, GT Cord # C4543, Pin Out: Center Positive (+V), Blades/Input Cord: (Order Separately), Approvals: FCC cULus CE NEMKO CCC LPS Ukraine GOST-R Class I WEEE China RoHS VCCI PSE RoHS 2 CB IP40 Korea (5V Only) Korea (12V Only) Korea (3V Only) PSE PSE PSE PSE PSE PSE PSE PSE South Africa INDIA NOM RCM IRAM

Model No. GT-21097-5024

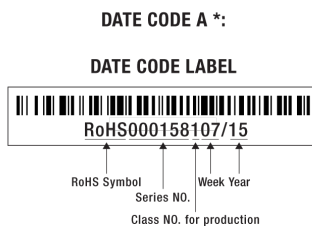
Part No. TR9CI2100CRP-Y(R)

Rev F

LABEL:L-1186

LABEL P/N: Standard GT
 MATERIAL: Flat Thermal Transfer, Imprintable, Polyester Label and/or Pad Printed and/or Molded, and/or Laser Engraved in the case
 BACKGROUND COLOR: Black if housing is Black, White or Silver if housing is White or Gray.
 TEXT COLOR: White or Silver if label is Black Background for Black housing. Black if label is White or Silver background and Housing is White or Gray
 LABEL WIDTH (mm): 44.5
 LABEL HEIGHT (mm): 79.5

Below is the minimum information which will appear on the label. NOTE: in the logo area additional/actual positioning of symbols and text is subjected to change as per agency updates/requirements or additional model approvals become available. Regulatory certifications/label markings may be in logo area on the label or molded into the case housing outside the label area. Information will be shown via label and/or pad printed and/or molded and/or laser engraved in the case. * Date code markings at GlobTek option.



or
DATE CODE B *:
 WWYY
 WW = WEEK
 YY = YEAR

↑
 XXX = USA or CHINA

A=ITE Power Supply
 B=P/N: (料号) TR9CI2100CRP-Y(R)
 C=Model (型号) GT-21097-5024
 D=Input (输入) 100-240V~, 50-60 Hz, 1.6A Max.
 E=Output (産出) 24 V 2.1 A , 50.0W

AGENCY ONLINE DOCUMENTS <http://www.globtek.info/certs/GT-21097>
 IPXY rating is based on 3rd party testing and customers should check suitability and test system level IPXY rating before ordering.

Regulatory Certifications/Label Markings

Logo	Description
	Attention Mark / Refer to operating manual for operating and service instructions

GlobTek, Inc.
 www.globtek.com
 186 Veterans Drive,
 Northvale, NJ 07647
 Tel. (201) 784-1000
 Fax (201) 784-0111

Drawing Title: GT-21097-5024, ITE Power Supply, Efficiency Level: N/A, Case Color/Style: GlobTek Black, Desktop/External, Regulated Switchmode AC-DC, Input Rating: 100-240V~, 50-60 Hz, IEC 60320/C14 , Output Rating: 50W, 24V@2.1A, Output Configuration: 1830 mm, 18/2 Cond, SPT-1, Female Barrel Right Angle, 5.5*2.1*11mm with internal Spring Clip and Locking Notch or Equal, Ferrite: None, GlobTek Black, GT Cord # C4543, Pin Out: Center Positive (+V), Blades/Input Cord: (Order Separately), Approvals: FCC cULus CE NEMKO CCC LPS Ukraine GOST-R Class I WEEE China RoHS VCCI PSE RoHS 2 CB IP40 Korea (5V Only) Korea (12V Only) Korea (3V Only) PSE PSE PSE PSE PSE PSE PSE PSE South Africa INDIA NOM RCM IRAM

Model No. GT-21097-5024

Part No. TR9CI2100CRP-Y(R)

Rev F



Bureau Of Indian Standards (only for GT-21097-3005)

No Logo

CB Certificate IEC 60950-1:2005 (2nd Edition), Am 1: 2009, CB report IEC 60950-1:2005 (2nd Edition), Am 1: 2009 and EN 60950-1:2006 + Am 1:2010 + Am 11:2009 + Am 12:2011



CCC to GB4943.1-2011 GB9254-2008 GB17625.1-2012



CE Mark: tested to comply with EN55022:2006/A1:2007 Class B, EN610003-2, EN610003-3 including EN61000-4-2, EN61000-4-3, EN61000-4-4, EN61000-4-5, EN61000-4-6N EN61000-4-11; EMI: Complies with EN55011 CLASS B and FCC Part 15B - On label or Molded in case



CHINA SJ/T 11364-2014, China RoHS Chart: <http://en.globtek.com/globtek-rohs.php>



Class I Earth Ground

UL60950-1, cULus to UL 60950-1, 2nd Edition, 2007-03-27 and CSA C22.2 No. 60950-1-07, 2nd Edition, 2007-03



FCC PART 15 CLASS B

GOST-R mark for Russia(Document: http://www.globtek.com/html/iso_certificates/GT_GOST-R.pdf). 03/15/2015. Due to lack of demand, GlobTek will not be renewing it's GOST certification. Please contact your sales engineer for pricing on EAC.



Indoor Use Only - Mark is on the label or Molded in the case

IP40

Ingress Protection: IP40 to IEC60529:2001 Protection against granular foreign bodies



DC-E-G71-001.12

IRAM certificate DC-E-G71-001.12 to IEC 60950 + A1:2009



JAPAN TUV R-PSE, Cert. No. JD 50313285, to J60950-1(H26) , J55022(H22),J3000(H25)[15V or less]. Please reference the following website for guidelines on PSE regulations:

GlobTek, Inc.

<http://en.globtek.com/importing-ite-and-medical-power-supplies-ac-adaptors-to-japan/>



GlobTek, Inc.

JAPAN TUV R-PSE, Cert. No. JD 50313287, to J60950-1(H26) , J55022(H22),J3000(H25)[15V or less]. Please reference the following website for guidelines on PSE regulations:

<http://en.globtek.com/importing-ite-and-medical-power-supplies-ac-adaptors-to-japan/>



GlobTek, Inc.

JAPAN TUV R-PSE, Cert. No. JD 50313287, to J60950-1(H26) , J55022(H22),J3000(H25)[DC30≤60V]. Please reference the following website for guidelines on PSE regulations:

<http://en.globtek.com/importing-ite-and-medical-power-supplies-ac-adaptors-to-japan/>



GlobTek, Inc.

JAPAN TUV R-PSE, Cert. No. JD 50314475, to J60950-1(H26) , J55022(H22),J3000(H25)[15V or less]. Please reference the following website for guidelines on PSE regulations:

<http://en.globtek.com/importing-ite-and-medical-power-supplies-ac-adaptors-to-japan/>

GlobTek, Inc.
 www.globtek.com
 186 Veterans Drive,
 Northvale, NJ 07647
 Tel. (201) 784-1000
 Fax (201) 784-0111

Drawing Title: GT-21097-5024, ITE Power Supply, Efficiency Level: N/A, Case Color/Style: GlobTek Black, Desktop/External, Regulated Switchmode AC-DC, Input Rating: 100-240V~, 50-60 Hz, IEC 60320/C14 , Output Rating: 50W, 24V@2.1A, Output Configuration: 1830 mm, 18/2 Cond, SPT-1, Female Barrel Right Angle, 5.5*2.1*11mm with internal Spring Clip and Locking Notch or Equal, Ferrite: None, GlobTek Black, GT Cord # C4543, Pin Out: Center Positive (+V), Blades/Input Cord: (Order Separately), Approvals: FCC cULus CE NEMKO CCC LPS Ukraine GOST-R Class I WEEE China RoHS VCCI PSE RoHS 2 CB IP40 Korea (5V Only) Korea (12V Only) Korea (3V Only) PSE PSE PSE PSE PSE PSE PSE PSE South Africa INDIA NOM RCM IRAM

Model No. GT-21097-5024

Part No. TR9CI2100CRP-Y(R)

Rev F



GlobTek, Inc.



GlobTek, Inc.



JAPAN TUV R-PSE, Cert. No. JD 50314475, to J60950-1(H26) , J55022(H22),J3000(H25)[DC15≤30V]. Please reference the following website for guidelines on PSE regulations: <http://en.globtek.com/importing-ite-and-medical-power-supplies-ac-adaptors-to-japan/>

JAPAN TUV R-PSE, Cert. No. JD 50314475, to J60950-1(H26) , J55022(H22),J3000(H25)[DC30≤60V]. Please reference the following website for guidelines on PSE regulations: <http://en.globtek.com/importing-ite-and-medical-power-supplies-ac-adaptors-to-japan/>

Korea KET KC Mark GT-21097-2003 HU10499-10005A (3V Only)



Korea KET KC Mark GT-21097-3005 HU10499-10005A (5V Only)



Korea KET KC Mark GT-21097-5012 HU10040-7022B (12V Only)

LPS

Limited Power Source



Apparatet må tilkoples jordet stikkontakt

Nemko w Class I Warning Nemko EN60950-1:2006, A11, A1, A12



Fuente de alimentación de ITE

NOM (Mexico) to NOM-001-SCFI-1993 (5 Volts only)



GlobTek, Inc.



GlobTek, Inc.

JAPAN TUV Rheinland-PSE GlobTek Inc to J60950-1(H26) , J55022(H22),J3000(H25).Please follow the procedure listed in the following link for proper import to Japan: <http://en.globtek.com/importing-to-japan.php>.

JAPAN TUV R-PSE, Cert. No. JD 50314475, to J60950-1(H26) , J55022(H22),J3000(H25)[15V or less]. Please reference the following website for guidelines on PSE regulations: <http://en.globtek.com/importing-ite-and-medical-power-supplies-ac-adaptors-to-japan/>



N136 SAA-150591-EA

RCM certificate SAA-150591-EA; Australia and New Zealand Regulatory Compliance, Mark (<http://rcm.standards.org.au/rcmfaq/rcmfaq.htm>)

RoHS 2

RoHS 2: Complies with EU 2011/65/EU and CHINA SJ/T 11363-2006 <http://www.ce-mark.com/Rohs%20final.pdf>



Serial Number Information

No Logo

South Africa EMI and EMC approval to CISPR 22 Class B CISPR 24

PROPRIETARY INFORMATION

PROPRIETARY OF GLOBTEK, INC. ANY REPRODUCTION, DISCLOSURE OR USE OF THIS DRAWING, IN WHOLE OR IN PART, IS HEREBY PROHIBITED EXCEPT AS SPECIFIED IN WRITING BY GLOBTEK, INC. Page 10 of 13

QA /06/13/2016 7:57:50 AM

GlobTek, Inc.
www.globtek.com
186 Veterans Drive,
Northvale, NJ 07647
Tel. (201) 784-1000
Fax (201) 784-0111

Drawing Title: GT-21097-5024, ITE Power Supply, Efficiency Level: N/A, Case Color/Style: GlobTek Black, Desktop/External, Regulated Switchmode AC-DC, Input Rating: 100-240V~, 50-60 Hz, IEC 60320/C14 , Output Rating: 50W, 24V@2.1A, Output Configuration: 1830 mm, 18/2 Cond, SPT-1, Female Barrel Right Angle, 5.5*2.1*11mm with internal Spring Clip and Locking Notch or Equal, Ferrite: None, GlobTek Black, GT Cord # C4543, Pin Out: Center Positive (+V), Blades/Input Cord: (Order Separately), Approvals: FCC cULus CE NEMKO CCC LPS Ukraine GOST-R Class I WEEE China RoHS VCCI PSE RoHS 2 CB IP40 Korea (5V Only) Korea (12V Only) Korea (3V Only) PSE PSE PSE PSE PSE PSE PSE PSE South Africa INDIA NOM RCM IRAM

Model No. GT-21097-5024

Part No. TR9CI2100CRP-Y(R)

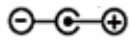
Rev F



Ukraine UKRSepru (Document: www.globtek.com/html/iso_certificates/GT_Ukraine.pdf)

Japan: Voluntary Control Council for Interference (VCCI)

WEEE: Complies with EU 2012/19/EU (http://ec.europa.eu/environment/waste/wEEE/index_en.htm)
Mark is on the label or Molded in the case



Center Positive (+V)

GlobTek, Inc.
 www.globtek.com
 186 Veterans Drive,
 Northvale, NJ 07647
 Tel. (201) 784-1000
 Fax (201) 784-0111

Drawing Title: GT-21097-5024, ITE Power Supply, Efficiency Level: N/A, Case Color/Style: GlobTek Black, Desktop/External, Regulated Switchmode AC-DC, Input Rating: 100-240V~, 50-60 Hz, IEC 60320/C14 , Output Rating: 50W, 24V@2.1A, Output Configuration: 1830 mm, 18/2 Cond, SPT-1, Female Barrel Right Angle, 5.5*2.1*11mm with internal Spring Clip and Locking Notch or Equal, Ferrite: None, GlobTek Black, GT Cord # C4543, Pin Out: Center Positive (+V), Blades/Input Cord: (Order Separately), Approvals: FCC cULus CE NEMKO CCC LPS Ukraine GOST-R Class I WEEE China RoHS VCCI PSE RoHS 2 CB IP40 Korea (5V Only) Korea (12V Only) Korea (3V Only) PSE PSE PSE PSE PSE PSE PSE PSE South Africa INDIA NOM RCM IRAM

Model No. GT-21097-5024

Part No. TR9CI2100CRP-Y(R)

Rev F

PACKAGING

Packing Spec P/N: Standard DT, Individually
 Box

Box Qty: 60

Gift Box Size (mm): 147*100*33

Gift Box Color: White

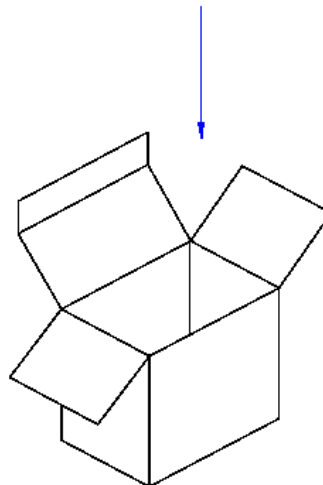
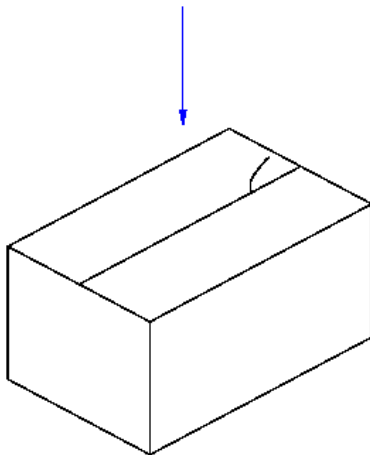
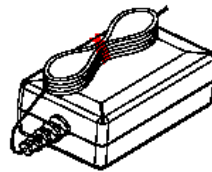
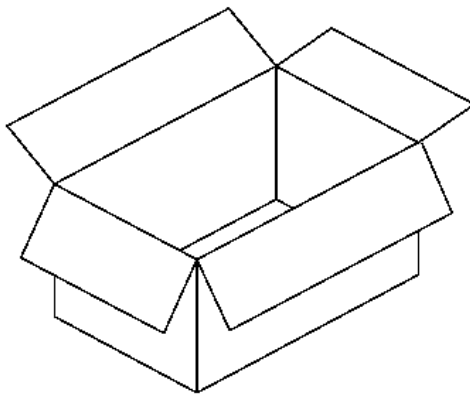
Master Carton Size (mm): 455*405*220

Master GW (Kg): 16.0 kg

BLADES INCLUDED: None: (Order Separately)

BLADE/CORD INSTALLED: None: (Order Separately)

If specific packaging is required, this section must specify all requirements and note "no exceptions". If this section does not specify packaging, it is subject to change without notice at GlobTek's discretion



GlobTek, Inc.
www.globtek.com
186 Veterans Drive,
Northvale, NJ 07647
Tel. (201) 784-1000
Fax (201) 784-0111

Drawing Title: GT-21097-5024, ITE Power Supply, Efficiency Level: N/A, Case Color/Style: GlobTek Black, Desktop/External, Regulated Switchmode AC-DC, Input Rating: 100-240V~, 50-60 Hz, IEC 60320/C14 , Output Rating: 50W, 24V@2.1A, Output Configuration: 1830 mm, 18/2 Cond, SPT-1, Female Barrel Right Angle, 5.5*2.1*11mm with internal Spring Clip and Locking Notch or Equal, Ferrite: None, GlobTek Black, GT Cord # C4543, Pin Out: Center Positive (+V), Blades/Input Cord: (Order Separately), Approvals: FCC cULus CE NEMKO CCC LPS Ukraine GOST-R Class I WEEE China RoHS VCCI PSE RoHS 2 CB IP40 Korea (5V Only) Korea (12V Only) Korea (3V Only) PSE PSE PSE PSE PSE PSE PSE PSE South Africa INDIA NOM RCM IRAM

Model No. GT-21097-5024

Part No. TR9CI2100CRP-Y(R)

Rev F

INSTRUCTION SHEET

N/A