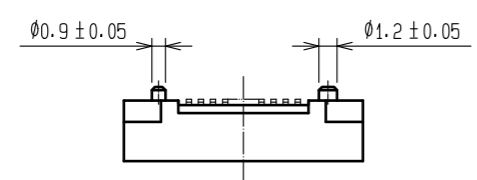
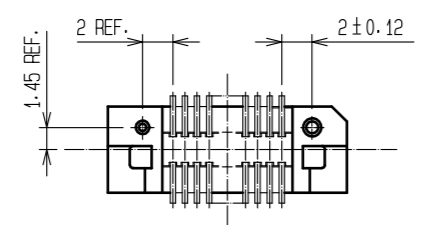
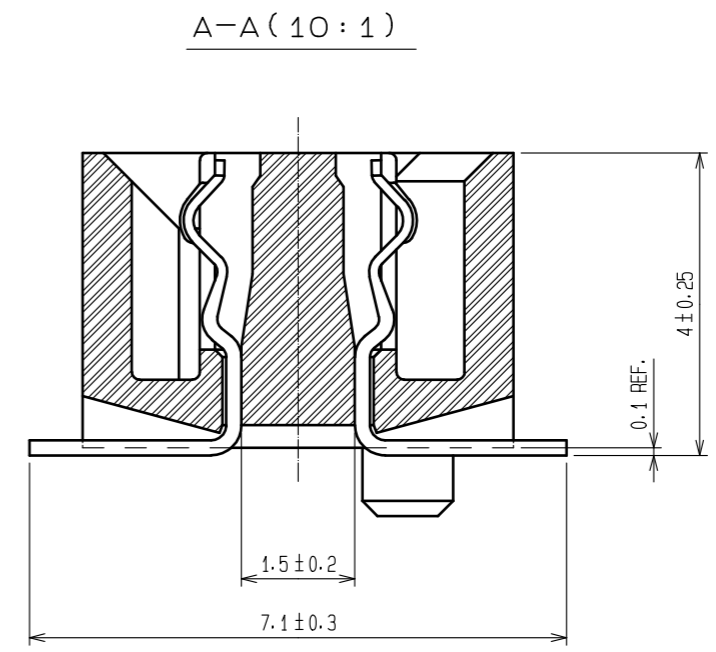
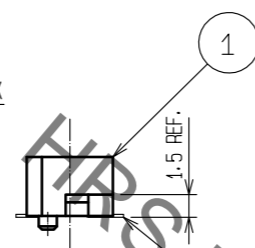
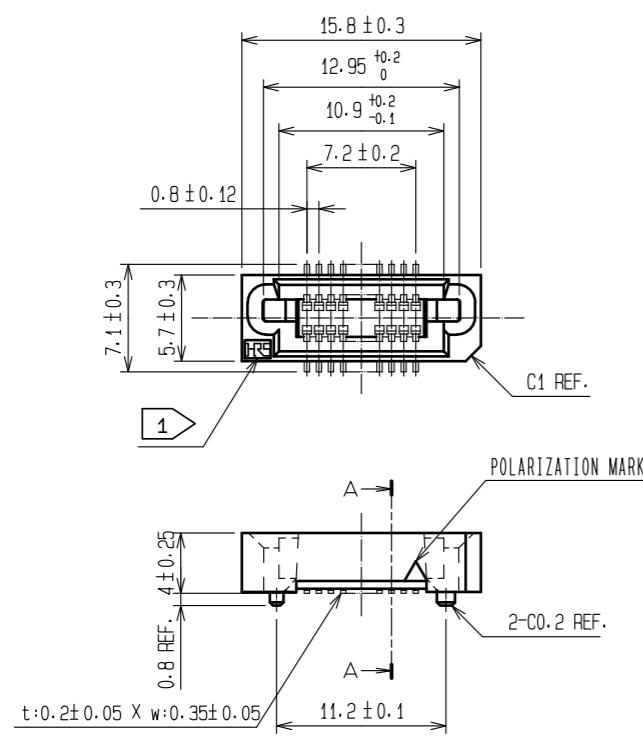
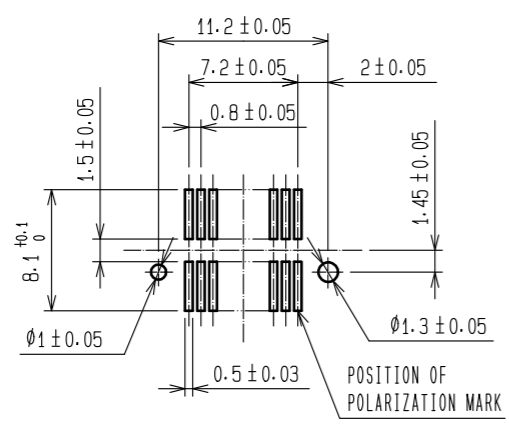


May.1.2023 Copyright 2023 HIROSE ELECTRIC CO., LTD. All Rights Reserved.
 In case of consideration for using Automotive equipment / device which demand high reliability, kindly contact our sales window correspondents.



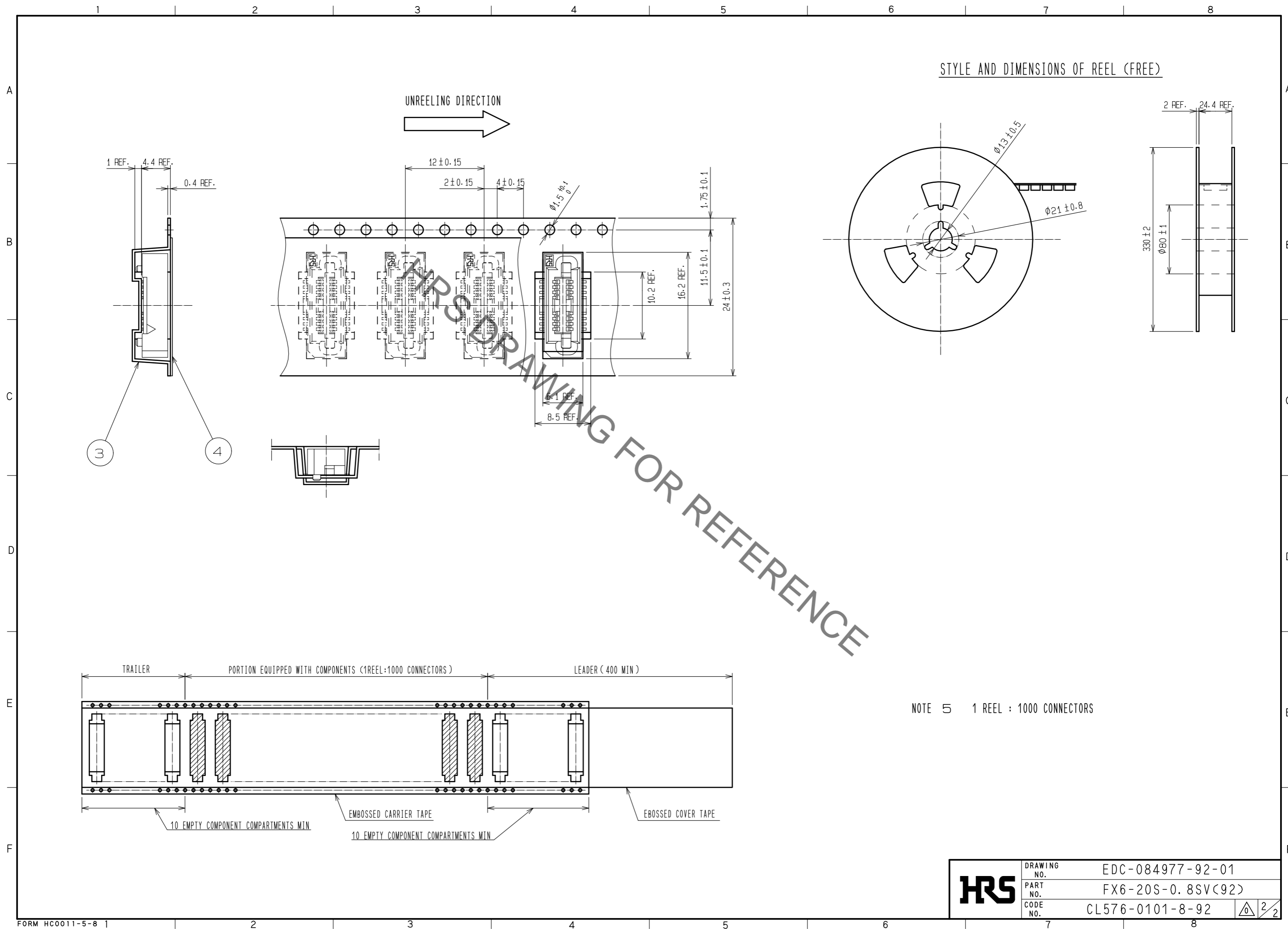
RECOMMENDED P. C. B LAND PATTERN (MOUNT SIDE)
 (RECOMMENDED METAL MASK THICKNESS: t=0.15)



- NOTE
- ① HRS MARK SHALL BE OPTIONAL.
 - ② LEAD CO-PLANARITY SHALL BE 0.1 MAX.
 - ③ EMBOSSED CARRIER TAPE PACKAGING SHALL BE APPLIED FOR THIS PRODUCT.
 - ④ FOR MODIFICATION, ETC. PREVENTIVE HOLE FOR SINK MARK MAY BE ADDED ACCORDING TO CIRCUMSTANCES.

1	POLYPHENYLENE SULFIDE	LIGHT BROWN	UL94V-0	2	PHOSPHOR BRONZE	CONTACT AREA: GOLD 0.1 μm MIN LEAD AREA: TIN 1 μm MIN UNDER PLATING: NICKEL 2 μm MIN	
4	POLYESTER	COVER TAPE					
3	POLYSTYRENE	EMBOSSED CARRIER TAPE					
NO.	MATERIAL	FINISH	REMARKS	NO.	MATERIAL	FINISH	REMARKS
UNITS	mm	SCALE	2 : 1	COUNT	DESCRIPTION OF REVISIONS		
		DESIGNED	HT. YAMAGUCHI	15.07.17	DATE	EDC-084977-92-01	
		CHECKED	HT. YAMAGUCHI	15.07.17	DESIGNED	EDC-084977-92-01	
		DESIGNED	MT. ITANO	15.07.17	CHECKED	EDC-084977-92-01	
		DRAWN	KN. YAMAZAKI	15.07.16	DATE	EDC-084977-92-01	
				DRAWING NO.	EDC-084977-92-01		
				PART NO.	FX6-20S-0.8SV(92)		
				CODE NO.	CL576-0101-8-92		

May.1.2023 Copyright 2023 HIROSE ELECTRIC CO., LTD. All Rights Reserved.
 In case of consideration for using Automotive equipment / device which demand high reliability, kindly contact our sales window correspondents.



STYLE AND DIMENSIONS OF REEL (FREE)

NOTE 5 1 REEL : 1000 CONNECTORS

HRS	DRAWING NO.	EDC-084977-92-01
	PART NO.	FX6-20S-0.8SV(92)
	CODE NO.	CL576-0101-8-92
		2/2