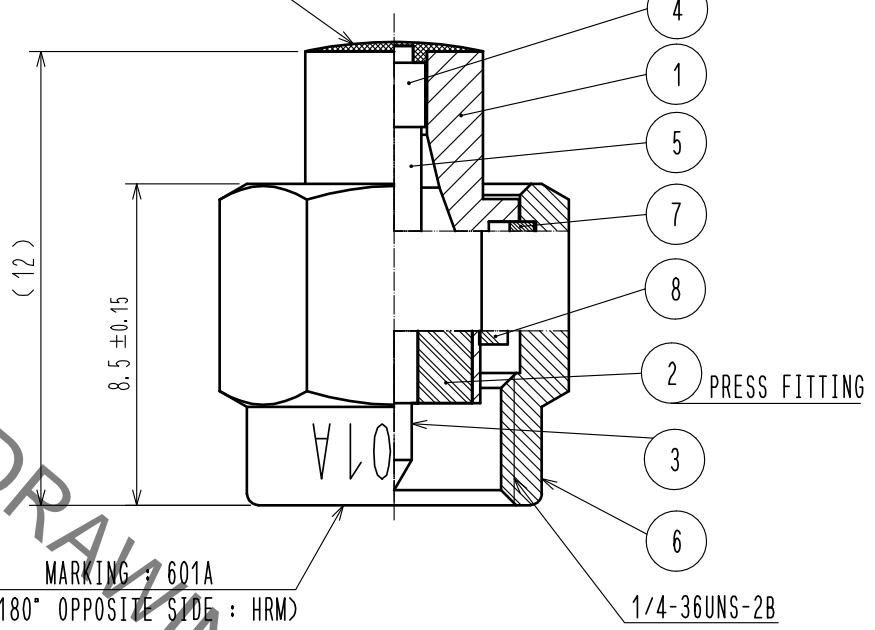


Apr.1.2023 Copyright 2023 HIROSE ELECTRIC CO., LTD. All Rights Reserved.
 In case of consideration for using Automotive equipment / device which demand high reliability, kindly contact our sales window correspondents.

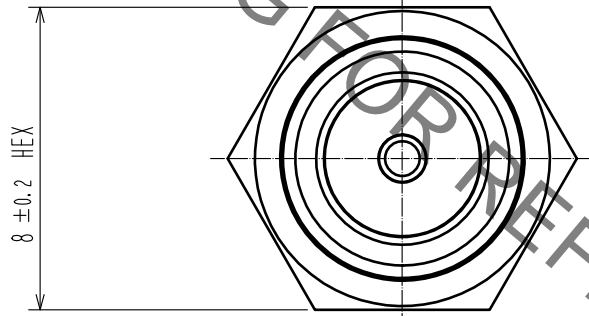
△ Redraw

1 SOLDERING



MARKING : 601A
 (180° OPPOSITE SIDE : HRM)

1/4-36UNS-2B



NOTE 1 Lead-free solder of Sn3Ag0.5Cu is used.

ROHS COMPLIANT

4	BRASS	GOLD PLATING	8	SIRICONE RUBBER	(RED)
3	BRASS	GOLD PLATING	7	BERYLLIUM COPPER	NICKEL PLATING
2	PTFE		6	STAINLESS STEEL	PASSIVATED
1	STAINLESS STEEL	NICKEL PLATING	5	RESISTANCE	50Ω
NO.	MATERIAL	FINISH . REMARKS	NO.	MATERIAL	FINISH . REMARKS

UNITS mm		SCALE 5 : 1	COUNT 1	DESCRIPTION OF REVISIONS DIS-D-00000641	DESIGNED TO. KATAYAMA	CHECKED KY. SHIMIZU	DATE 15.11.02
-------------	--	----------------	------------	--	--------------------------	------------------------	------------------

HRS HIROSE ELECTRIC CO., LTD.	APPROVED : KY. SHIMIZU	15.01.14	DRAWING NO.	EDC-030012-50-50
	CHECKED : TO. KATAYAMA	15.01.14	PART NO.	HRM-601A(50)
	DESIGNED : YI. FUNADA	15.01.14	CODE NO.	CL353-0017-3-50
	DRAWN : YI. FUNADA	15.01.14		