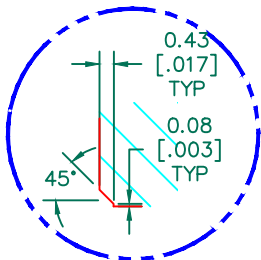


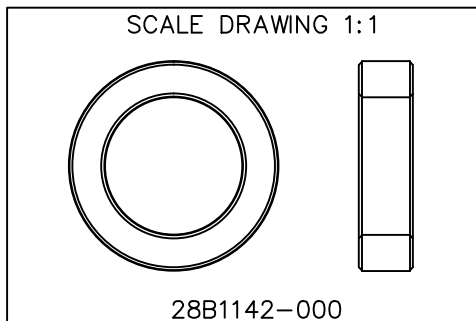
SEE DETAIL "A"
SECTION A-A



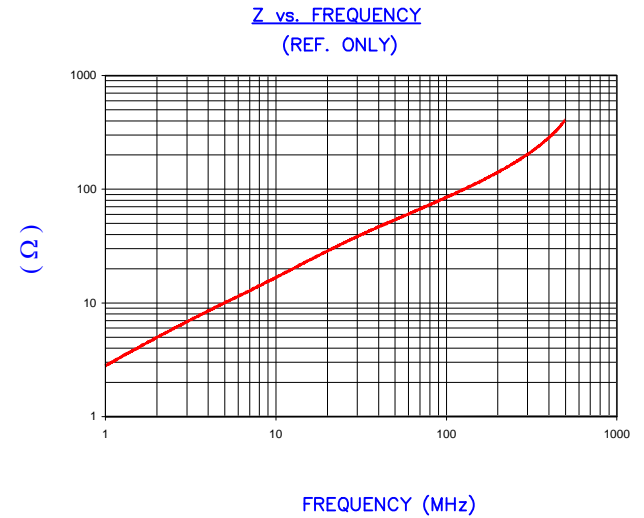
DETAIL "A"
CHAMFER
SCALE=3:1

NOTES: UNLESS OTHERWISE SPECIFIED

1. COSMETIC SPECIFICATION REFER TO WI-QA-038.



IMPEDANCE (Z)			
Frequency	25 MHz	100 MHz	300 MHz
Nominal (REF)	34 Ω	85 Ω	200 Ω
Minimum	- Ω	68 Ω	- Ω



AGILENT E4991A Impedance/Material Analyzer
HP 16092A Test Fixture

FERRITE CORE DIMENSIONS (SPEC): mm/inches

A	29.01 [1.142]	±	0.51 [.020]
B	19.00 [.748]	±	0.38 [.015]
C	7.49 [.295]	±	0.25 [.010]

WEIGHT/1000 13.81 kgs [30.44 Lbs]

DIMENSIONS ARE IN mm [INCHES].				This print is the property of Laird Tech. and is loaned in confidence subject to return upon request and with the understanding that no copies shall be made without the written consent of Laird Tech. All rights to design or invention are reserved.			
REV	DESCRIPTION	DATE	INT				
F	UPDATE COMPANY LOGO	05/22/15	QIU	PROJECT/PART NUMBER: 28B1142-000		REV F	DRAWN BY: LNK
E	UPDATE PRINT FORMAT, Z SPECS & CURVE	07/22/03	JRK				
D	CHG P/N FROM -00*, REM COATING SPEC UPDATE PRINT FORMAT, ADD Z CURVE	09/27/02	JRK	DATE: 12/17/92		SCALE: 1.5:1	MATERIAL: FERRITE
C	CHG P/N ADD COATING SPECS	03/19/99	IS				
B	UPDATED P/N FOR NEW CATALOG	09/25/95	JBE	CAD # 28B1142-000-F		TOOL # B1142	
A	ORIGINAL DRAFT	12/17/92	LNK				
REV	DESCRIPTION	DATE	INT	28B1142-000-F			